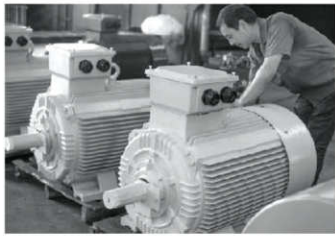


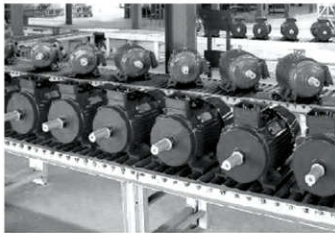


GOL PUMPS

ELECTRO MOTORS



**MS ALUMINUM
Y CAST IRON**



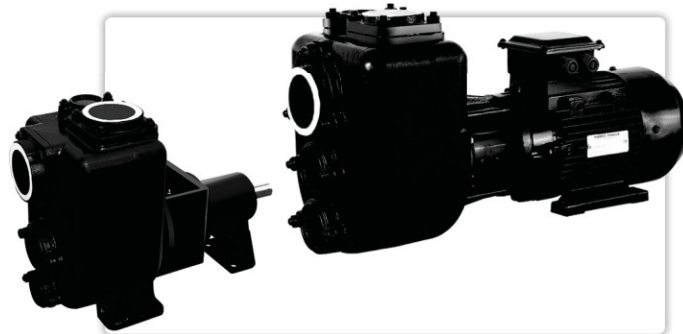
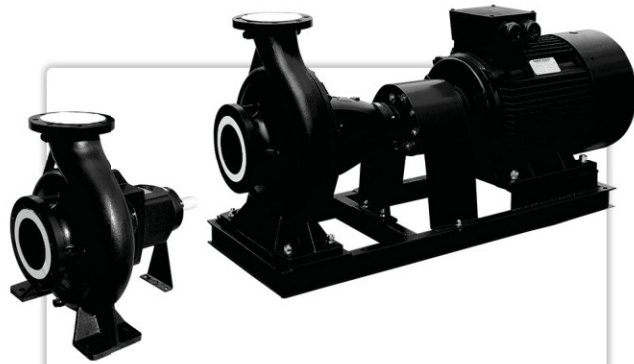
ISO 9001 ISO 14001 OHSAS 18001



www.golpumps.com
E-mail: info@golpumps.com



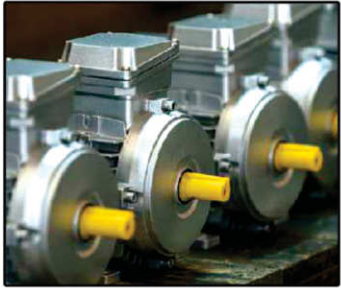
MS ALUMINUM Y CAST IRON **GOL PUMPS**



G.P.T CO
Gol Pump Technology Company

ELECTRO MOTORS MS ALUMINUM IE1/IE3

**MS SERIES THREE-PHASE
ASYNCHRONOUS MOTOR
ALUMINUM HOUSING**



INTRODUCTION

Conform to IEC standard and UL std.

Widely applied in industries which have high requirements on quality and reliability, such as commerce, manufacturing, construction, water supply and agricultural irrigation industries.

MOTOR FEATURES

- IP54/IP55
- Multiple feet locations
- Aluminum frame, end shields and base
- High strength cable gland
- Shott key and protector supplied
- Superior paint finish
- Motors made to heavy duty service motors
- Can be made with stainless steel shaft!
- Motors made for continuous duty
- Grade F insulation
- High performance and efficiency

CUSTOMER BENEFITS

- Water, dust and vermin resistant
- Quiet operation
- Electricity saving
- Easy Installation (bolt on feet or brackets as required)
- Corrosion resistant
- Dependable
- Superior core
- Reliable in country, city or factory environments



B 3



B 5



B 14



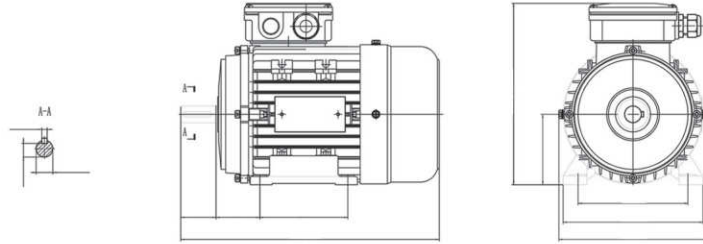
B 34



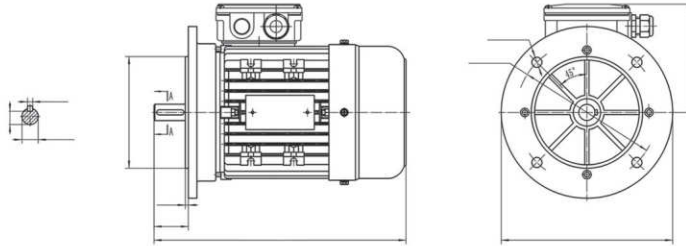
B 35



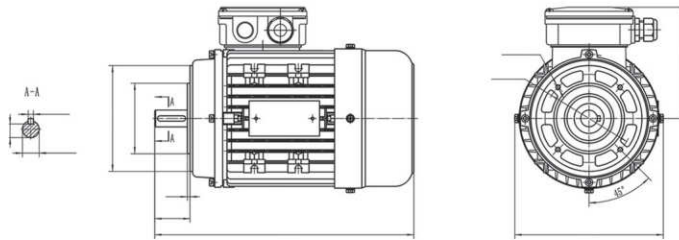
B 3
ALUMINUM



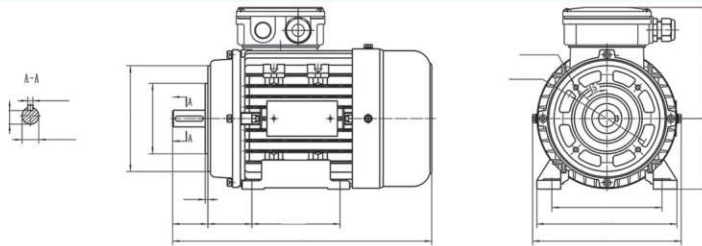
B 5
ALUMINUM



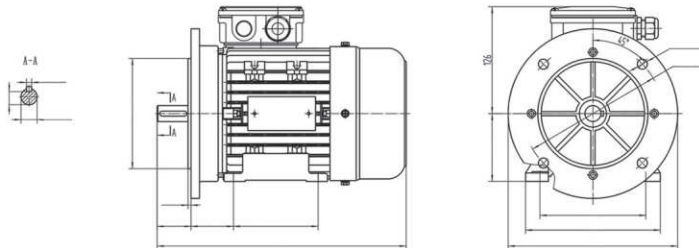
B 14
ALUMINUM



B 34
ALUMINUM



B 35
ALUMINUM



YOU CAN REACH ALL DIMENSION IN
www.golpumps.com

Aluminum Electromotors MS

Motor Housing: Aluminum Output power:0.06kW–18.5kW
 Frame size: IEC 56-160
 Poles:2,4,6,8
 Voltage: 220/380V、 380/660V、 230/400V、 400/690V
 Frequency: 50 & 60 Hz
 Insulation Class: IP55
 Efficiency :IE1

MS ALUMINUM

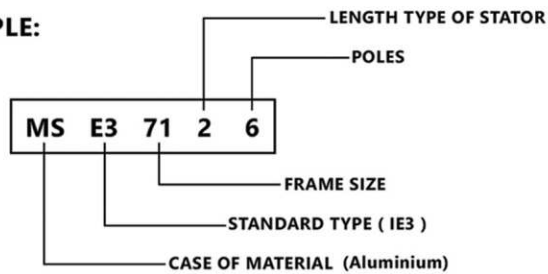


Aluminum Electromotors MSE3

Motor Housing: Aluminum
 Output power: 0,75 kW – 18.5 kW
 Frame size: IEC 80-355
 Poles: 2, 4, 6
 Voltage: 220/380V、 380/660V、 230/400V、 400/690V
 Frequency: 50 & 60 Hz
 Insulation Class: IP55
 Efficiency: IE3

ELECTROMOTOR CODE GUIDE

EXAMPLE:



MATERIALS: MS= (Aluminium) and Y= (Cast Iron)

STANDARDS: IF None = IE2 and E3 = IE3

FRAMES: 56,63,71,80,,100,112,132,160,180,200,225,250,280,315,335

LENGTH TYPE OF STATOR: 1,2,3,4,L1,L2,L4,L6,M1,M2,M4,M6,S2,S4,S6

POLES: 2≈3000 rpm , 4≈1500 rpm , 6≈1000 rpm , 8≈750 rpm

TECHNICAL DATA

ALUMINUM MOTORS-SPEED 3500/1750RPM 60HZ

Type	Rated Power		S.F=1.15 Power		Rated Current (A)								S.F=1.15 Current (A) S.F=1.15		Speed (rpm)		Efficiency η (%)			cos ϕ		T _s /T _n T _{max} /T _n	T _s /T _n T _{max} /T _n	(kg) Ist/In	
	(kW)	(HP)	S.F=1.15				S.F=1.15				S.F=1.15		S.F=1.0	S.F=1.15	100%	75%	50%	S.F=1.0	S.F=1.15						
			208V	220V	230V	380V	440V	460V	660V	208V	230V	460V													
MSE3-801-2	0.75	1	0.86	3.15	2.97	2.85	1.72	1.64	1.42	0.99	3.57	3.23	1.62	3500	3490	80.7	80.0	76.5	0.82	0.83	2.0	2.3	2.8	8.0	9.5
MSE3-802-2	1.1	1.5	1.27	4.35	4.11	3.93	2.38	2.26	1.97	1.37	4.88	4.42	2.21	3500	3490	84.6	83.9	81.5	0.83	0.85	3.0	2.6	3.0	8.5	10.5
MSE3-90S-2	1.5	2	1.73	5.73	5.42	5.18	3.14	2.98	2.59	1.81	6.51	5.89	2.94	3515	3500	85.5	85.0	82.4	0.85	0.86	4.1	2.3	2.8	9.3	15
MSE3-90L-2	2.2	3	2.53	8.40	7.95	7.60	4.60	4.37	3.80	2.65	9.55	8.64	4.32	3507	3493	86.5	86.4	84.6	0.84	0.85	6.0	2.5	3.0	9.0	19
MSE3-100L-2	3	4	3.45	10.9	10.3	9.9	5.99	5.69	4.95	3.45	12.4	11.2	5.62	3505	3488	88.5	88.1	86.1	0.86	0.87	8.2	3.0	3.5	9.7	25
MSE3-112M-2	4	5.5	4.60	14.1	13.3	12.7	7.72	7.33	6.37	4.44	16.0	14.5	7.25	3505	3488	89.5	89.3	86.6	0.89	0.90	10.9	2.5	3.0	9.6	34
MSE3-132S+2	5.5	7.5	6.33	19.4	18.3	17.5	10.6	10.1	8.76	6.11	22.0	19.9	9.97	3530	3520	89.5	88.9	86.8	0.88	0.89	14.9	2.3	2.8	9.6	49.5
MSE3-132S-2	7.5	10	8.63	25.9	24.5	23.5	14.2	13.5	11.7	8.17	29.5	26.7	13.3	3525	3515	90.2	89.8	88.0	0.89	0.90	20.3	2.3	2.8	9.0	55
MSE3-132M+2	9.2	12.5	10.6	31.8	30.1	28.8	17.4	16.5	14.4	10.03	36.2	32.7	16.4	3525	3515	90.2	90.1	88.3	0.89	0.90	24.9	2.1	2.8	9.3	62
MSE3-160M+2	11	15	12.7	37.6	35.5	34.0	20.6	19.5	17.0	11.8	42.8	38.7	19.3	3555	3548	91.3	90.6	88.5	0.89	0.90	29.5	2.4	4.1	9.1	99
MSE3-160M-2	15	20	17.3	50.6	47.8	45.7	27.7	26.3	22.9	15.9	57.5	52.0	26.0	3553	3546	91.5	91.1	89.5	0.90	0.91	40.3	2.3	3.8	8.6	108
MSE3-160L-2	18.5	25	21.3	61.2	57.9	55.4	33.5	31.8	27.7	19.3	69.7	63.0	31.5	3553	3545	92.1	91.7	90.2	0.91	0.92	49.7	2.3	3.7	8.7	118
MSE3-802-4	0.75	1	0.75	3.37	3.19	3.05	1.84	1.75	1.52	1.06	3.32	3.01	1.50	1734	1722	83.5	83.5	80.9	0.74	0.75	4.1	2.5	2.8	6.6	13
MSE3-90S-4	1.1	1.5	1.1	4.77	4.51	4.31	2.61	2.48	2.16	1.50	4.71	4.26	2.13	1750	1740	86.5	85.5	84.5	0.74	0.75	6.0	2.5	3.0	8.0	14.5
MSE3-90L-4	1.5	2	1.5	6.37	6.02	5.76	3.49	3.31	2.88	2.01	6.29	5.69	2.84	1750	1742	88.3	88.8	87.8	0.74	0.75	8.2	2.9	3.2	7.5	18.5
MSE3-100L+4	2.2	3	2.2	8.75	8.27	7.91	4.79	4.55	3.95	2.76	8.42	7.62	3.81	1760	1754	89.5	89.6	88.1	0.78	0.81	11.9	2.6	3.2	9.1	27
MSE3-100L-4	3	4	3	11.5	10.9	10.4	6.29	5.97	5.19	3.62	11.2	10.1	5.07	1740	1720	89.5	89.0	86.2	0.81	0.83	16.5	2.6	3.0	8.2	30
MSE3-112M-4	4	5.5	4	14.9	14.1	13.5	8.18	7.77	6.76	4.71	14.8	13.4	6.68	1754	1745	89.5	89.8	88.5	0.83	0.84	21.8	2.7	3.2	9.1	38
MSE3-132S-4	5.5	7.5	5.5	20.1	19.0	18.1	11.0	10.4	9.07	6.32	19.8	17.9	8.96	1760	1753	91.7	91.3	90.2	0.83	0.84	29.8	2.2	2.8	9.0	50
MSE3-132M-4	7.5	10	7.5	27.0	25.6	24.4	14.8	14.1	12.2	8.52	26.7	24.2	12.1	1760	1753	91.7	91.8	91.1	0.84	0.85	40.7	2.5	2.8	9.3	58
MSE3-132M-4	9.2	12.5	9.2	32.8	31.0	29.6	17.9	17.0	14.8	10.33	32.4	29.3	14.6	1755	1748	91.7	91.4	90.4	0.85	0.86	50.1	2.5	3.0	9.6	68
MSE3-160M-4	11	15	11	39.3	37.2	35.6	21.5	20.5	17.8	12.40	38.7	35.0	17.5	1776	1772	92.4	92.1	90.9	0.84	0.85	59.1	2.4	2.6	7.6	111
MSE3-160L-4	15	20	15	53.1	50.2	48.0	29.1	27.6	24.0	16.73	52.4	47.4	23.7	1776	1772	93.0	92.8	91.8	0.84	0.85	80.7	3.1	3.1	9.2	117

ALUMINIUM ELECTRO MOTORS SPECIFICATION TABLE

Model No.	Output	Hz/DC	Volts	FL Amps	Service Factor	SF Amps	Poles	Number of Speeds	RPM	Capacitor Rating	Phases	Ins Class	Duty	Prot. Type	Rated Ambient (°C)
(click on a model number to see complete product details)															
MS5612	0.09kW	50	230	0.54	-	-	2	1	2758R	-	3	F	Cont	-	40
	0.09kW	50	400	0.31	-	-	2	1	2758	-	3	F	Cont	-	40
	0.09kW	60	460	0.3	1.15	0.31	2	1	3310R	-	3	F	Cont	-	40
MS5614	0.06kW	50	230	0.57	-	-	4	1	1371R	-	3	F	Cont	-	40
	0.06kW	50	400	0.33	-	-	4	1	1371	-	3	F	Cont	-	40
	0.06kW	60	460	0.31	1.15	0.33	4	1	1645R	-	3	F	Cont	-	40
MS5622	0.12kW	50	230	0.63	-	-	2	1	2780R	-	3	F	Cont	-	40
	0.12kW	50	400	0.36	-	-	2	1	2780	-	3	F	Cont	-	40
	0.12kW	60	460	0.33	1.15	0.36	2	1	3336R	-	3	F	Cont	-	40
MS5624	0.09kW	50	230	0.79	-	-	4	1	1350R	-	3	F	Cont	-	40
	0.09kW	50	400	0.45	-	-	4	1	1350	-	3	F	Cont	-	40
	0.09kW	60	460	0.43	1.15	0.45	4	1	1645R	-	3	F	Cont	-	40
MS6312	0.18W	50	230	0.87	-	-	2	1	2715R	-	3	F	Cont	-	40
	0.18kW	50	400	0.5	-	-	2	1	2715	-	3	F	Cont	-	40
	0.18kW	60	460	0.47	1.15	0.5	2	1	3258R	-	3	F	Cont	-	40
MS6314	0.12kW	50	230	0.69	-	-	4	1	1350R	-	3	F	Cont	-	40
	0.12kW	50	400	0.4	-	-	4	1	1350	-	3	F	Cont	-	40
	0.12kW	60	460	0.39	1.15	0.4	4	1	1620R	-	3	F	Cont	-	40
MS6322	0.25kW	50	230	1.14	-	-	2	1	2715R	-	3	F	Cont	-	40
	0.25kW	50	400	0.66	-	-	2	1	2715	-	3	F	Cont	-	40
	0.25kW	60	460	0.6	1.15	0.66	2	1	3258R	-	3	F	Cont	-	40
MS6324	0.18kW	50	230	1.20	-	-	4	1	1340R	-	3	F	Cont	-	40
	0.18kW	50	400	0.7	-	-	4	1	1340	-	3	F	Cont	-	40
	0.18kW	60	460	0.58	1.15	0.7	4	1	1608R	-	3	F	Cont	-	40
MS6332	0.37kW	50	230	1.64	-	-	2	1	2715R	-	3	F	Cont	-	40
	0.37kW	50	400	0.94	-	-	2	1	2715	-	3	F	Cont	-	40
	0.37kW	60	460	0.86	1.15	0.94	2	1	3258R	-	3	F	Cont	-	40
MS6334	0.25kW	50	230	1.30	-	-	4	1	1350R	-	3	F	Cont	-	40
	0.25kW	50	400	0.75	-	-	4	1	1350	-	3	F	Cont	-	40
	0.25kW	60	460	0.68	1.15	0.75	4	1	1620R	-	3	F	Cont	-	40
MS7112	0.37kW	50	230	1.64	-	-	2	1	2690R	-	3	F	Cont	-	40
	0.37kW	50	400	0.94	-	-	2	1	2690	-	3	F	Cont	-	40
	0.37kW	60	460	0.82	1.15	0.94	2	1	3228R	-	3	F	Cont	-	40
MS7114	0.25kW	50	230	1.3	-	-	4	1	1390R	-	3	F	Cont	-	40
	0.25kW	50	400	0.75	-	-	4	1	1390	-	3	F	Cont	-	40
	0.25kW	60	460	0.68	1.15	0.79	4	1	1668R	-	3	F	Cont	-	40
MS7116	0.18kW	50	230	1.27	-	-	6	1	880R	-	3	F	Cont	-	40
	0.18kW	50	400	0.7	-	-	6	1	880	-	3	F	Cont	-	40
	0.18kW	60	460	0.61	1.15	0.7	6	1	1056R	-	3	F	Cont	-	40
MS7118	0.09kW	50	230	0.90	-	-	8	1	680R	-	3	F	Cont	-	40
	0.09kW	50	400	0.52	-	-	8	1	680	-	3	F	Cont	-	40
	0.09kW	60	460	0.5	1.15	0.52	8	1	816R	-	3	F	Cont	-	40
MS7122	0.55kW	50	230	2.08	-	-	2	1	2715R	-	3	F	Cont	-	40
	0.55kW	50	400	1.2	-	-	2	1	2715	-	3	F	Cont	-	40
	0.55kW	60	460	1.1	1.15	1.2	2	1	3258R	-	3	F	Cont	-	40

MS7124	0.37kW	50	230	1.85	-	-	4	1	1375R	-	3	F	Cont	-	40
	0.37kW	50	400	1.06	-	-	4	1	1375	-	3	F	Cont	-	40
	0.37kW	60	460	0.97	1.15	1.06	4	1	1650R	-	3	F	Cont	-	40
MS7126	0.25kW	50	230	1.56	-	-	6	1	900R	-	3	F	Cont	-	40
	0.25kW	50	400	0.9	-	-	6	1	900	-	3	F	Cont	-	40
	0.25kW	60	460	0.82	1.15	0.9	6	1	1080R	-	3	F	Cont	-	40
MS7128	0.12kW	50	230	1.33	-	-	8	1	690R	-	3	F	Cont	-	40
	0.12kW	50	400	0.76	-	-	8	1	690	-	3	F	Cont	-	40
	0.12kW	60	460	0.7	1.15	0.76	8	1	828R	-	3	F	Cont	-	40
MS7134	0.55kW	50	230	2.59	-	-	4	1	1380R	-	3	F	Cont	-	40
	0.55kW	50	400	1.49	-	-	4	1	1380	-	3	F	Cont	-	40
	0.55kW	60	460	1.48	1.15	1.49	4	1	1656R	-	3	F	Cont	-	40
MS8014	0.55kW	50	230	2.59	-	-	4	1	1370R	-	3	F	Cont	-	40
	0.55kW	50	400	1.49	-	-	4	1	1370	-	3	F	Cont	-	40
	0.55kW	60	460	1.3	1.15	1.49	4	1	1644R	-	3	F	Cont	-	40
MS8016	0.37kW	50	230	2.14	-	-	6	1	915R	-	3	F	Cont	-	40
	0.37kW	50	400	1.23	-	-	6	1	915	-	3	F	Cont	-	40
	0.37kW	60	460	1.07	1.15	1.23	6	1	1098R	-	3	F	Cont	-	40
MS8018	0.18kW	50	230	1.61	-	-	8	1	680R	-	3	F	Cont	-	40
	0.18kW	50	400	0.93	-	-	8	1	680	-	3	F	Cont	-	40
	18kW	60	460	0.89	1.15	0.93	8	1	816R	-	3	F	Cont	-	40
MS8026	0.55kW	50	230	2.95	-	-	6	1	920R	-	3	F	Cont	-	40
	0.55kW	50	400	1.7	-	-	6	1	920	-	3	F	Cont	-	40
	0.55kW	60	460	1.48	1.15	1.7	6	1	1104R	-	3	F	Cont	-	40
MS8028	0.25kW	50	230	1.91	-	-	8	1	680R	-	3	F	Cont	-	40
	0.25kW	50	400	1.1	-	-	8	1	680	-	3	F	Cont	-	40
	0.25kW	60	460	0.99	1.15	1.1	8	1	816R	-	3	F	Cont	-	40
MSE3-100L-2	3kW	50	230	9.90	-	-	2	1	2910R	-	3	F	Cont	-	40
	3kW	50	400	5.71	-	-	2	1	2910	-	3	F	Cont	-	40
	3kW	60	460	5.01	1.15	5.71	2	1	3492R	-	3	F	Cont	-	40
MSE3-100L-6	1.5kW	50	230	6.25	-	-	6	1	960R	-	3	F	Cont	-	40
	1.5kW	50	400	3.59	-	-	6	1	960	-	3	F	Cont	-	40
	1.5kW	60	460	2.92	1.15	3.59	6	1	1139R	-	3	F	Cont	-	40
MSE3-100L1-4	2.2kW	50	230	7.86	-	-	4	1	1455R	-	3	F	Cont	-	40
	2.2kW	50	400	4.52	-	-	4	1	1455	-	3	F	Cont	-	40
	2.2kW	60	460	3.82	1.15	4.52	4	1	1746R	-	3	F	Cont	-	40
MSE3-100L2-4	3kW	50	230	10.5	-	-	4	1	1450R	-	3	F	Cont	-	40
	3kW	60	460	5.14	1.15	6.02	4	1	1740R	-	3	F	Ccnt	-	40
MSE3-112M-2	4kW	50	400	7.45	-	-	2	1	2920R	-	3	F	Ccnt	-	40
	4kW	50	690	4.32	-	-	2	1	2920	-	3	F	Ccnt	-	40
	4kW	60	460	6.46	1.15	7.45	2	1	3504R	-	3	F	Ccnt	-	40
MSE3-112M-4	4kW	50	400	7.95	-	-	4	1	1455R	-	3	F	Ccnt	-	40
	4kW	50	690	4.61	-	-	4	1	1455	-	3	F	Ccnt	-	40
	4kW	60	460	6.86	1.15	7.95	4	1	1746R	-	3	F	Ccnt	-	40
MSE3-112M-6	2.2kW	50	230	8.85	-	-	6	1	965R	-	3	F	Ccnt	-	40
	2.2kW	50	400	5.09	-	-	6	1	965	-	3	F	Ccnt	-	40
	2.2kW	60	460	4.18	1.15	5.09	6	1	1146R	-	3	F	Ccnt	-	40

MSE3-132M-4	7.5kW	50	400	14.3	-	-	4	1	1460R	-	3	F	Cont	-	40
	7.5kW	50	690	8.26	-	-	4	1	1460	-	3	F	Cont	-	40
	7.5kW	60	460	12.2	1.15	14.3	4	1	1752R	-	3	F	Cont	-	40
MSE3-132M1-2	9.2kW	50	400	16.7	-	-	2	1	2930R	-	3	F	Cont	-	40
	9.2kW	50	690	9.66	-	-	2	1	2930	-	3	F	Cont	-	40
	9.2kW	60	460	14.5	1.15	16.7	2	1	3516R	-	3	F	Cont	-	40
MSE3-132M1-6	4kW	50	400	8.99	-	-	6	1	968R	-	3	F	Cont	-	40
	4kW	50	690	5.21	-	-	6	1	968	-	3	F	Cont	-	40
	4kW	60	460	7.6	1.15	8.99	6	1	1162R	-	3	F	Cont	-	40
MSE3-132M2-2	11kW	50	400	19.6	-	-	2	1	2945R	-	3	F	Cont	-	40
	11kW	50	690	11.3	-	-	2	1	2945	-	3	F	Cont	-	40
	11kW	60	460	17.1	1.15	19.6	2	1	3534R	-	3	F	Cont	-	40
MSE3-132M2-4	9.2kW	50	400	17.4	-	-	4	1	1460R	-	3	F	Cont	-	40
	9.2kW	50	690	10.1	-	-	4	1	1460	-	3	F	Cont	-	40
	9.2kW	60	460	15	1.15	17.4	4	1	1752R	-	3	F	Cont	-	40
MSE3-132M2-6	5.5kW	50	400	12.0	-	-	6	1	968R	-	3	F	Cont	-	40
	5.5kW	50	690	6.97	-	-	6	1	968	-	3	F	Cont	-	40
	5.5kW	60	460	10.1	1.15	12	6	1	1162R	-	3	F	Cont	-	40
MSE3-132S-4	5.5kW	50	400	10.7	-	-	4	1	1460R	-	3	F	Cont	-	40
	5.5kW	50	690	6.19	-	-	4	1	1460	-	3	F	Cont	-	40
	5.5kW	60	460	9.09	1.15	10.7	4	1	1752R	-	3	F	Cont	-	40
MSE3-132S-6	3kW	50	230	11.9	-	-	6	1	968R	-	3	F	Cont	-	40
	3kW	50	400	6.84	-	-	6	1	968	-	3	F	Cont	-	40
	3kW	60	460	5.7	1.15	6.84	6	1	1162R	-	3	F	Cont	-	40
MSE3-132S1-2	5.5kW	50	400	10.1	-	-	2	1	2920R	-	3	F	Cont	-	40
	5.5kW	50	690	5.86	-	-	2	1	2920	-	3	F	Cont	-	40
	5.5kW	60	460	8.78	1.15	10.1	2	1	3504R	-	3	F	Cont	-	40
MSE3-132S2-2	7.5kW	50	400	13.7	-	-	2	1	2925R	-	3	F	Cont	-	40
	7.5kW	50	690	7.91	-	-	2	1	2925	-	3	F	Cont	-	40
	7.5kW	60	460	11.9	1.15	13.7	2	1	3510R	-	3	F	Cont	-	40
MSE3-132S3-2	5.9kW	50	400	10.8	-	-	2	1	2920R	-	3	F	Cont	-	40
	5.9kW	50	690	6.28	-	-	2	1	2920	-	3	F	Cont	-	40
	5.9kW	60	460	9.4	1.15	10.8	2	1	3504R	-	3	F	Cont	-	40
MSE3-160L-2	18.5kW	50	400	32.5	-	-	2	1	2940R	-	3	F	Cont	-	40
	18.5kW	50	690	18.8	-	-	2	1	2940	-	3	F	Cont	-	40
	18.5kW	60	460	28.5	1.15	32.5	2	1	3528R	-	3	F	Cont	-	40

MSE3-160L-4	15kW	50	400	27.3	-	-	4	1	1465R	-	3	F	Cont	-	40
	15kW	50	690	15.9	-	-	4	1	1465	-	3	F	Cont	-	40
	15kW	60	460	23.6	1.15	27.3	4	1	1758R	-	3	F	Cont	-	40
MSE3-160L-6	11kW	50	400	22.0	-	-	6	1	970R	-	3	F	Cont	-	40
	11kW	50	690	12.7	-	-	6	1	970	-	3	F	Cont	-	40
	11kW	60	460	18.9	1.15	22	6	1	1164R	-	3	F	Cont	-	40
MSE3-160M-4	11kW	50	400	20.4	-	-	4	1	1465R	-	3	F	Cont	-	40
	11kW	50	690	11.9	-	-	4	1	1465	-	3	F	Cont	-	40
	11kW	60	460	17.6	1.15	20.4	4	1	1758R	-	3	F	Cont	-	40
MSE3-160M-6	7.5kW	50	400	15.4	-	-	6	1	970R	-	3	F	Cont	-	40
	7.5kW	50	690	8.92	-	-	6	1	970	-	3	F	Cont	-	40
	7.5kW	60	460	13.1	1.15	15.4	6	1	1164R	-	3	F	Cont	-	40
MSE3-160M1-2	11kW	50	400	19.6	-	-	2	1	2945R	-	3	F	Cont	-	40
	11kW	50	690	11.3	-	-	2	1	2945	-	3	F	Cont	-	40
	11kW	60	460	17.1	1.15	19.6	2	1	3534R	-	3	F	Cont	-	40
MSE3-160M2-2	15kW	50	400	26.5	-	-	2	1	2945R	-	3	F	Cont	-	40
	15kW	50	690	15.3	-	-	2	1	2945	-	3	F	Cont	-	40
	15kW	60	460	23.3	1.15	26.5	2	1	3534R	-	3	F	Cont	-	40
MSE3-8002	0.55kW	50	230	2.19	-	-	2	1	2900R	-	3	F	Cont	-	40
	0.55kW	50	400	1.26	-	-	2	1	2900	-	3	F	Cont	-	40
	0.55kW	60	460	1.11	1.15	1.26	2	1	3480R	-	3	F	Cont	-	40
MSE3-8012	0.75kW	50	230	2.85	-	-	2	1	2900R	-	3	F	Cont	-	40
	0.75kW	50	400	1.64	-	-	2	1	2900	-	3	F	Cont	-	40
	0.75kW	60	460	1.49	1.15	1.64	2	1	3480R	-	3	F	Cont	-	40
MSE3-8012-PTO	0.75kW	50	190	3.45	-	-	2	1	2900R	-	3	F	Cont	-	40
	0.75kW	50	380	1.72	-	-	2	1	2900	-	3	F	Cont	-	40
	0.75kW	50	230	2.85	1.15	1.64	2	1	2900R	-	3	F	Cont	-	40
	0.75kW	50	400	1.64	1.15	1.64	2	1	0	-	3	F	Cont	-	40
	0.75kW	60	230	2.98	1.15	1.64	2	1	3480R	-	3	F	Cont	-	40
	0.75kW	60	460	1.49	1.15	1.64	2	1	3480	-	3	F	Cont	-	40
	0.75kW	60	460	1.49	1.15	1.64	2	1	3480R	-	3	F	Cont	-	40
MSE3-8022	1.1kW	50	230	4.02	-	-	2	1	2910R	-	3	F	Cont	-	40
	1.1kW	50	400	2.31	-	-	2	1	2910	-	3	F	Cont	-	40
	1.1kW	60	460	1.98	1.15	2.31	2	1	3492R	-	3	F	Cont	-	40
MSE3-8024	0.75kW	50	230	3.04	-	-	4	1	1445R	-	3	F	Cont	-	40
	0.75kW	50	400	1.75	-	-	4	1	1445	-	3	F	Cont	-	40
	0.75kW	60	460	1.47	1.15	1.75	4	1	1734R	-	3	F	Cont	-	40
MSE3-90L-2	2.2kW	50	230	7.65	-	-	2	1	2915R	-	3	F	Cont	-	40
	2.2kW	50	400	4.35	-	-	2	1	2915	-	3	F	Cont	-	40
	2.2kW	60	460	3.76	1.15	4.35	2	1	3498R	-	3	F	Cont	-	40

MSE3-90L-4	1.5kW	50	230	5.73	-	-	4	1	1440R	-	3	F	Cont	-	40
	1.5kW	50	400	3.3	-	-	4	1	1440	-	3	F	Cont	-	40
	1.5kW	60	460	2.83	1.15	3.3	4	1	1728R	-	3	F	Cont	-	40
MSE3-90L-6	1.1kW	50	230	4.67	-	-	6	1	955R	-	3	F	Cont	-	40
	1.1kW	50	400	2.69	-	-	6	1	955	-	3	F	Cont	-	40
	1.1kW	60	460	2.17	1.15	2.69	6	1	1134R	-	3	F	Cont	-	40
MSE3-90S-2	1.5kW	50	230	5.32	-	-	2	1	2920R	-	3	F	Cont	-	40
	1.5kW	50	400	3.06	-	-	2	1	2920	-	3	F	Cont	-	40
	1.5kW	60	460	2.63	1.15	3.06	2	1	3504R	-	3	F	Cont	-	40
MSE3-90S-4	1.1kW	50	230	4.32	-	-	4	1	1445R	-	3	F	Cont	-	40
	1.1kW	50	400	2.48	-	-	4	1	1445	-	3	F	Cont	-	40
	1.1kW	60	460	2.1	1.15	2.48	4	1	1734R	-	3	F	Cont	-	40
MSE3-90S-6	0.75kW	50	230	3.36	-	-	6	1	955R	-	3	F	Cont	-	40
	0.75kW	50	400	1.93	-	-	6	1	955	-	3	F	Cont	-	40
	0.75kW	60	460	1.61	1.15	1.93	6	1	1122R	-	3	F	Cont	-	40

NOTICE: Since a huge variety of these electromotors are available, to reduce paper consumption and preserve the environment, G.P.T.CO. Has decided to put all the technical details and dimensions in our website. For more information about these products please visit:
<https://golpumps.us/index.php/en/products/electromotors>

ELECTRO MOTORS

Y CAST IRON

CAST IRON MOTORS IE3



Cast Iron YE3

Motor Housing: Cast-iron
 Output power: 0.75 kW – 355kW
 Frame size: IEC 355-80
 Poles: 6, 4, 2
 Voltage: 380/220V, 660/380V, 400/230V, 690/400V
 Frequency: 60 & 50 Hz
 Insulation Class: IP55
 Efficiency: IE3

INTRODUCTION

- Three-phase asynchronous motors
- Designed specifically for European market
- Terminal box is at the top of motor housing
- Compact structure and beautiful appearance
- Installation dimensions meet IEC standard
- Grade F Insulation
- Grade B temperature rise test
- High efficiency, energy saving, and large starting torque
- Easy to use and maintain

APPLICATION CONDITIONS

- Insulation grade: F
- Protection grade: IP54/IP55
- Rated voltage: according to customer requirements
- Rated frequency: 50Hz/60Hz
- Cooling way: IC411
- Working way: S1

INSTALLATION STRUCTURE

- B3 base with feet: end shields without flange
- B5 base with feet; end shields with flange
- B5 base without feet: end shields with flange



B 3



B 5



B 14



B 34



B 35





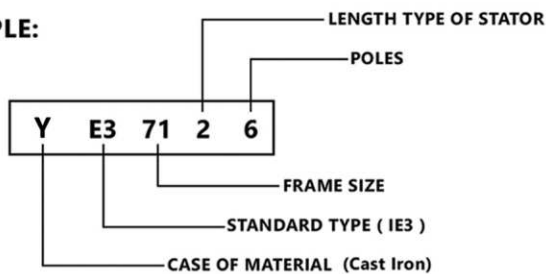
ELECTRO MOTORS

CAST IRON



ELECTROMOTOR CODE GUIDE

EXAMPLE:



MATERIALS: MS= (Aluminium) and Y= (Cast Iron)

STANDARDS: IF None = IE2 and E3 = IE3

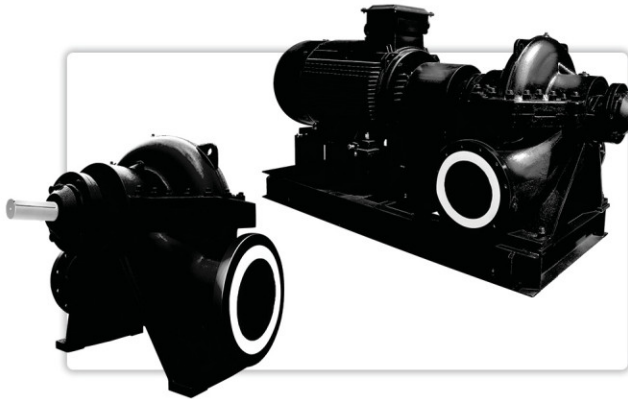
FRAMES: 56,63,71,80,,100,112,132,160,180,200,225,250,280,315,335

LENGTH TYPE OF STATOR: 1,2,3,4,L1,L2,L4,L6,M1,M2,M4,M6,S2,S4,S6

POLES: 2≈3000 rpm , 4≈1500 rpm , 6≈1000 rpm , 8≈750 rpm

YE3-280M-6	55kW	50	400	98.1	-	-	6	1	985R	-	3	F	Cont	-	40
	55kW	50	690	56.9	-	-	6	1	985	-	3	F	Cont	-	40
	55kW	60	460	84.9	1.15	98.1	6	1	1182R	-	3	F	Cont	-	40
YE3-280S-2	75kW	50	400	128	-	-	2	1	2970R	-	3	F	Cont	-	40
	75kW	50	690	74.5	-	-	2	1	2970	-	3	F	Cont	-	40
	75kW	60	460	112	1.15	128	2	1	3564R	-	3	F	Cont	-	40
YE3-280S-4	75kW	50	400	129	-	-	4	1	1480R	-	3	F	Cont	-	40
	75kW	50	690	75.1	-	-	4	1	1480	-	3	F	Cont	-	40
	75kW	60	460	112	1.15	129	4	1	1776R	-	3	F	Cont	-	40
YE3-280S-6	45kW	50	400	80.6	-	-	6	1	985R	-	3	F	Cont	-	40
	45kW	50	690	46.7	-	-	6	1	985	-	3	F	Cont	-	40
	45kW	60	460	69.5	1.15	80.6	6	1	1182R	-	3	F	Cont	-	40
YE3-315L1-2	160kW	50	400	265	-	-	2	1	2975R	-	3	F	Cont	-	40
	160kW	50	690	154	-	-	2	1	2975	-	3	F	Cont	-	40
	160kW	60	460	231	1.15	265	2	1	3570R	-	3	F	Cont	-	40
YE3-315L1-4	160kW	50	400	271	-	-	4	1	1480R	-	3	F	Cont	-	40
	160kW	50	690	157	-	-	4	1	1480	-	3	F	Cont	-	40
	160kW	60	460	235	1.15	271	4	1	1776R	-	3	F	Cont	-	40
YE3-315L1-6	110kW	50	400	194	-	-	6	1	985R	-	3	F	Cont	-	40
	110kW	50	690	113	-	-	6	1	985	-	3	F	Cont	-	40
	110kW	60	460	168	1.15	194	6	1	1182R	-	3	F	Cont	-	40
YE3-315L2-2	200kW	50	400	331	-	-	2	1	2975R	-	3	F	Cont	-	40
	200kW	50	690	192	-	-	2	1	2975	-	3	F	Cont	-	40
	200kW	60	460	288	1.15	331	2	1	3570R	-	3	F	Cont	-	40
YE3-315L2-4	200kW	50	400	338	-	-	4	1	1480R	-	3	F	Cont	-	40
	200kW	50	690	196	-	-	4	1	1480	-	3	F	Cont	-	40
	200kW	60	460	293	1.15	338	4	1	1776R	-	3	F	Cont	-	40
YE3-315L2-6	132kW	50	400	232	-	-	6	1	985R	-	3	F	Cont	-	40
	132kW	50	690	135	-	-	6	1	985	-	3	F	Cont	-	40
	132kW	60	460	201	1.15	232	6	1	1182R	-	3	F	Cont	-	40
YE3-315M-2	132kW	50	400	222	-	-	2	1	2975R	-	3	F	Cont	-	40
	132kW	50	690	129	-	-	2	1	2975	-	3	F	Cont	-	40
	132kW	60	460	193	1.15	222	2	1	3570R	-	3	F	Cont	-	40
YE3-315M-4	132kW	50	400	226	-	-	4	1	1480R	-	3	F	Cont	-	40
	132kW	50	690	131	-	-	4	1	1480	-	3	F	Cont	-	40
	132kW	60	460	196	1.15	226	4	1	1776R	-	3	F	Cont	-	40

YE3-315M-6	90kW	50	400	159	-	-	6	1	985R	-	3	F	Cont	-	40
	90kW	50	690	92.3	-	-	6	1	985	-	3	F	Cont	-	40
	90kW	60	460	138	1.15	159	6	1	1182R	-	3	F	Cont	-	40
YE3-315S-2	110kW	50	400	185	-	-	2	1	2975R	-	3	F	Cont	-	40
	110kW	50	690	107	-	-	2	1	2975	-	3	F	Cont	-	40
	110kW	60	460	161	1.15	185	2	1	3570R	-	3	F	Cont	-	40
YE3-315S-4	110kW	50	400	189	-	-	4	1	1480R	-	3	F	Cont	-	40
	110kW	50	690	110	-	-	4	1	1480	-	3	F	Cont	-	40
	110kW	60	460	164	1.15	189	4	1	1776R	-	3	F	Cont	-	40
YE3-315S-6	75kW	50	400	133	-	-	6	1	985R	-	3	F	Cont	-	40
	75kW	50	690	77.1	-	-	6	1	985	-	3	F	Cont	-	40
	75kW	60	460	115	1.15	133	6	1	1182R	-	3	F	Cont	-	40
YE3-355L-2	315kW	50	400	522	-	-	2	1	2980R	-	3	F	Cont	-	40
	315kW	50	690	302	-	-	2	1	2980	-	3	F	Cont	-	40
	315kW	60	460	454	1.15	522	2	1	3576R	-	3	F	Cont	-	40
YE3-355L-4	315kW	50	400	526	-	-	4	1	1490R	-	3	F	Cont	-	40
	315kW	50	690	305	-	-	4	1	1490	-	3	F	Cont	-	40
	315kW	60	460	457	1.15	526	4	1	1788R	-	3	F	Cont	-	40
YE3-355L-6	250kW	50	400	433	-	-	6	1	990R	-	3	F	Cont	-	40
	250kW	50	690	251	-	-	6	1	990	-	3	F	Cont	-	40
	250kW	60	460	376	1.15	433	6	1	1188R	-	3	F	Cont	-	40
YE3-355L2-4	355kW	50	400	522	-	-	4	1	1490R	-	3	F	Cont	-	40
	355kW	50	690	302	-	-	4	1	1490	-	3	F	Cont	-	40
	355kW	60	460	454	1.15	522	4	1	1788R	-	3	F	Cont	-	40
YE3-355M-2	250kW	50	400	414	-	-	2	1	2980R	-	3	F	Cont	-	40
	250kW	50	690	240	-	-	2	1	2980	-	3	F	Cont	-	40
	250kW	60	460	360	1.15	414	2	1	3576R	-	3	F	Cont	-	40
YE3-355M-4	250kW	50	400	418	-	-	4	1	1490R	-	3	F	Cont	-	40
	250kW	50	690	242	-	-	4	1	1490	-	3	F	Cont	-	40
	250kW	60	460	362	1.15	418	4	1	1788R	-	3	F	Cont	-	40
YE3-355M1-6	160kW	50	400	278	-	-	6	1	990R	-	3	F	Cont	-	40
	160kW	50	690	161	-	-	6	1	990	-	3	F	Cont	-	40
	160kW	60	460	241	1.15	278	6	1	1188R	-	3	F	Cont	-	40
YE3-355M2-6	200kW	50	400	346	-	-	6	1	990R	-	3	F	Cont	-	40
	200kW	50	690	201	-	-	6	1	990	-	3	F	Cont	-	40
	200kW	60	460	301	1.15	346	6	1	1188R	-	3	F	Cont	-	40
	200kW	60	-	-	-	-	1	1	1188	-	3	F	Cont	-	40



G.P.T CO
Gol Pump Technology Company



**MS ALUMINUM
Y CAST IRON
GOL PUMPS**



MS ALUMINUM & Y CAST IRON

ISO 9001 ISO 14001 OHSAS 18001



GOL PUMP TECHNOLOGY INC
3750 NW 114TH AVE SUITE # 6
MIAMI, FL 33178
TEL : +1 (786) 615-8984 & +1 (786) 452 - 9775
FAX : +1 (786) 615 - 7043
E-mail: info@golpumps.com
www.golpumps.com