

Pump data

Pressure rating :	2,5 bar (250 kPa)
Min. fluid temperature :	32 °F
Max. fluid temperature :	140 °F
Max. Ambient temperature :	122 °F

Requested data

Flow :	158 US g.p.m.
Head :	59 ft
Fluid :	Water, pure
Fluid Temperature :	68 °F
Density :	62.322 lb/ft³
Kinematic viscosity :	1.0818E-5 ft²/s
Vapor pressure :	2.34 kPa

Hydraulic data (duty point)

Flow :	
Head :	

Materials

Pump body	Reinforced technopolymer
Impeller	Reinforced technopolymer
Diffuser	Reinforced technopolymer
Filter	Technopolymer
Mechanical seal	Carbon/Alumina/NBR/AISI316
Filter cover	Polycarbonate
O-ring	NBR

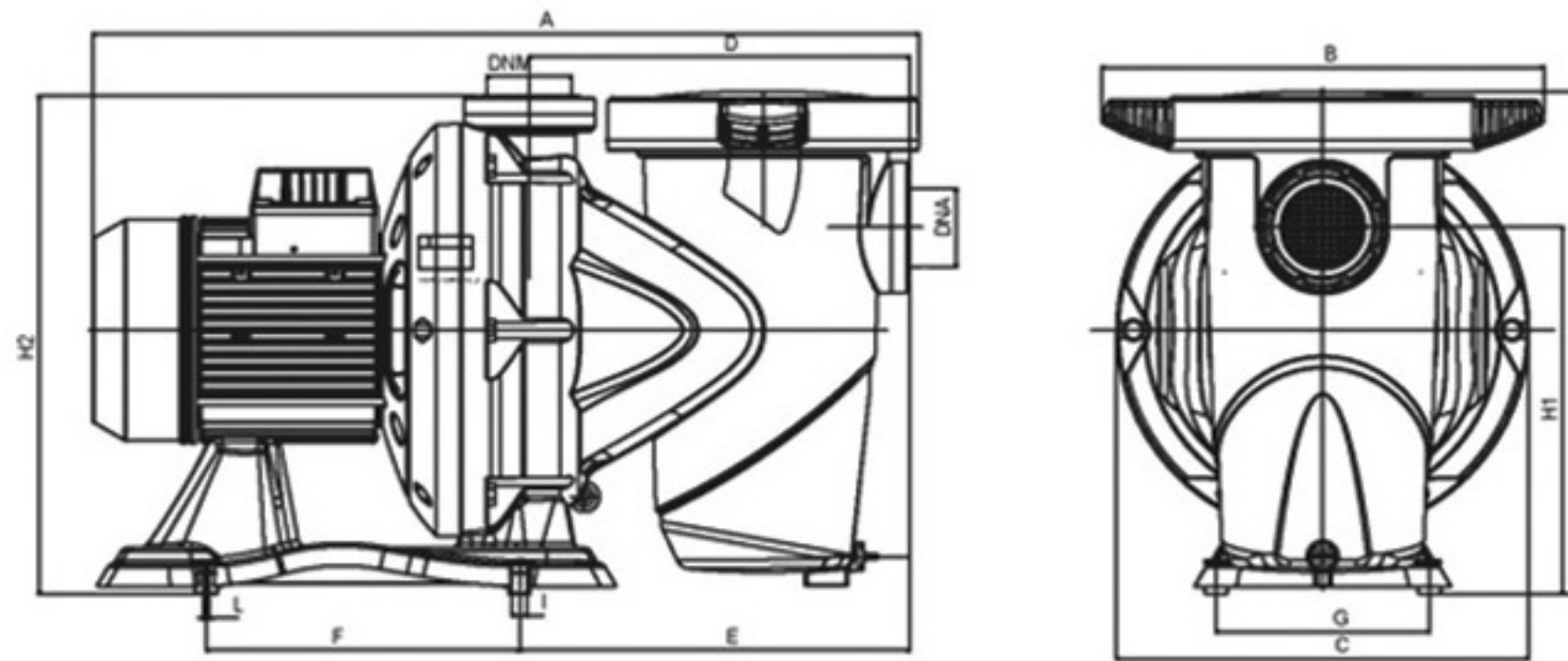
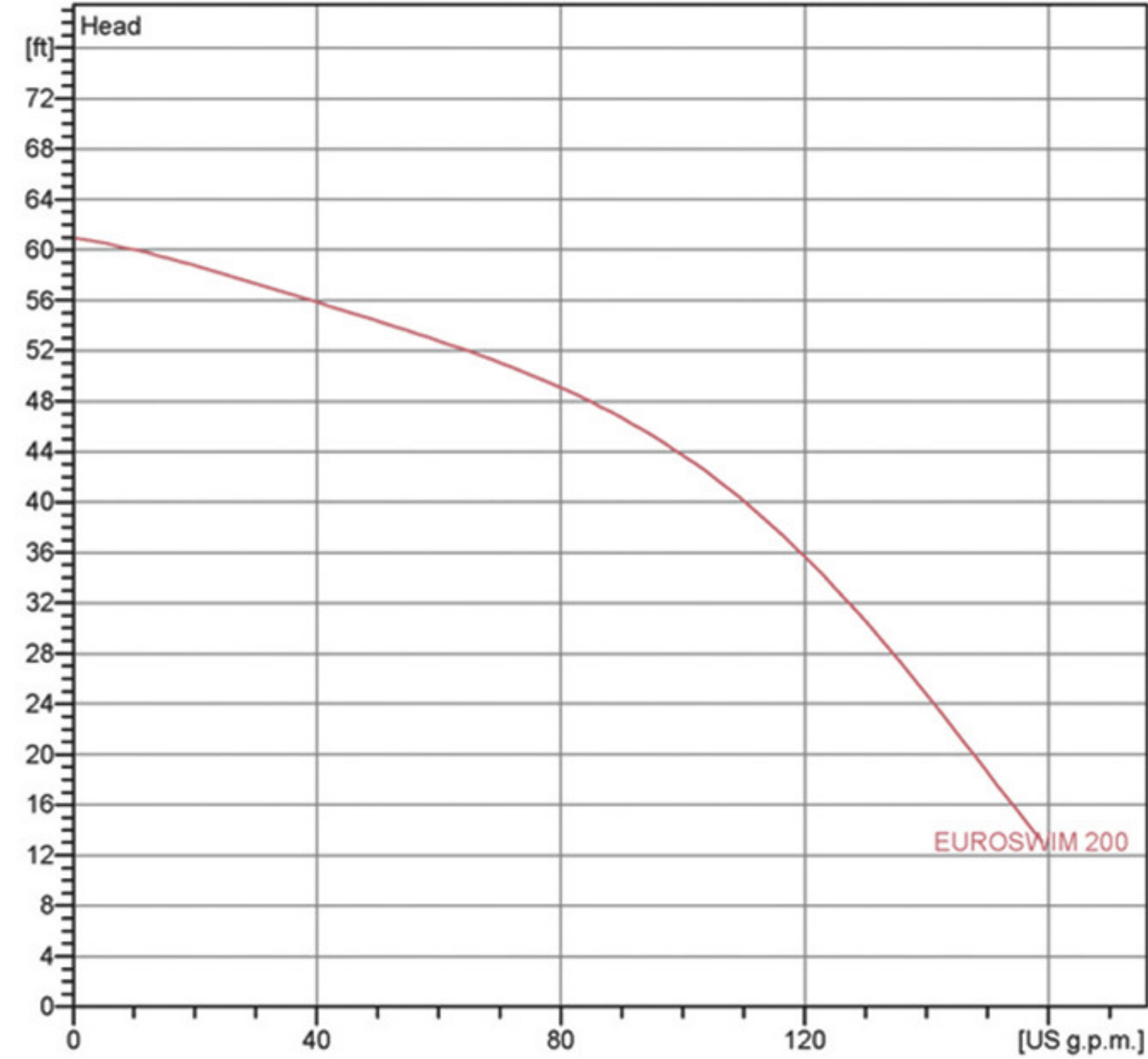
Motor data

Motor brand :	DAB
Nominal power P2 :	2.0115 hp
Rated speed :	3400 rpm
Rated voltage :	1~ 208-230 V 60 Hz
Nominal current :	10.2 A
Degree of protection :	IP 55

Pump connection

Suction side :	2" G / 2,5 bar (250 kPa)
Discharge side :	2" G / 2,5 bar (250 kPa)

Curve tolerance according to ISO 9906



Weight : 44.092 lb

Dimensions in inch

A	25.787	H1	10.157
B	12.244	H2	13.78
C	11.417	I	0.43307
D	10.512	L	0.25591
DNA	G2"		
DNM	G2"		
E	10.787		
F	8.6614		
G	5.9055		
H	13.898		

EUROSWIM 200 M

Curve tolerance according to ISO 9906



Hydraulic data (duty point)

Suction side :
2 " G
2,5 bar (250 kPa)

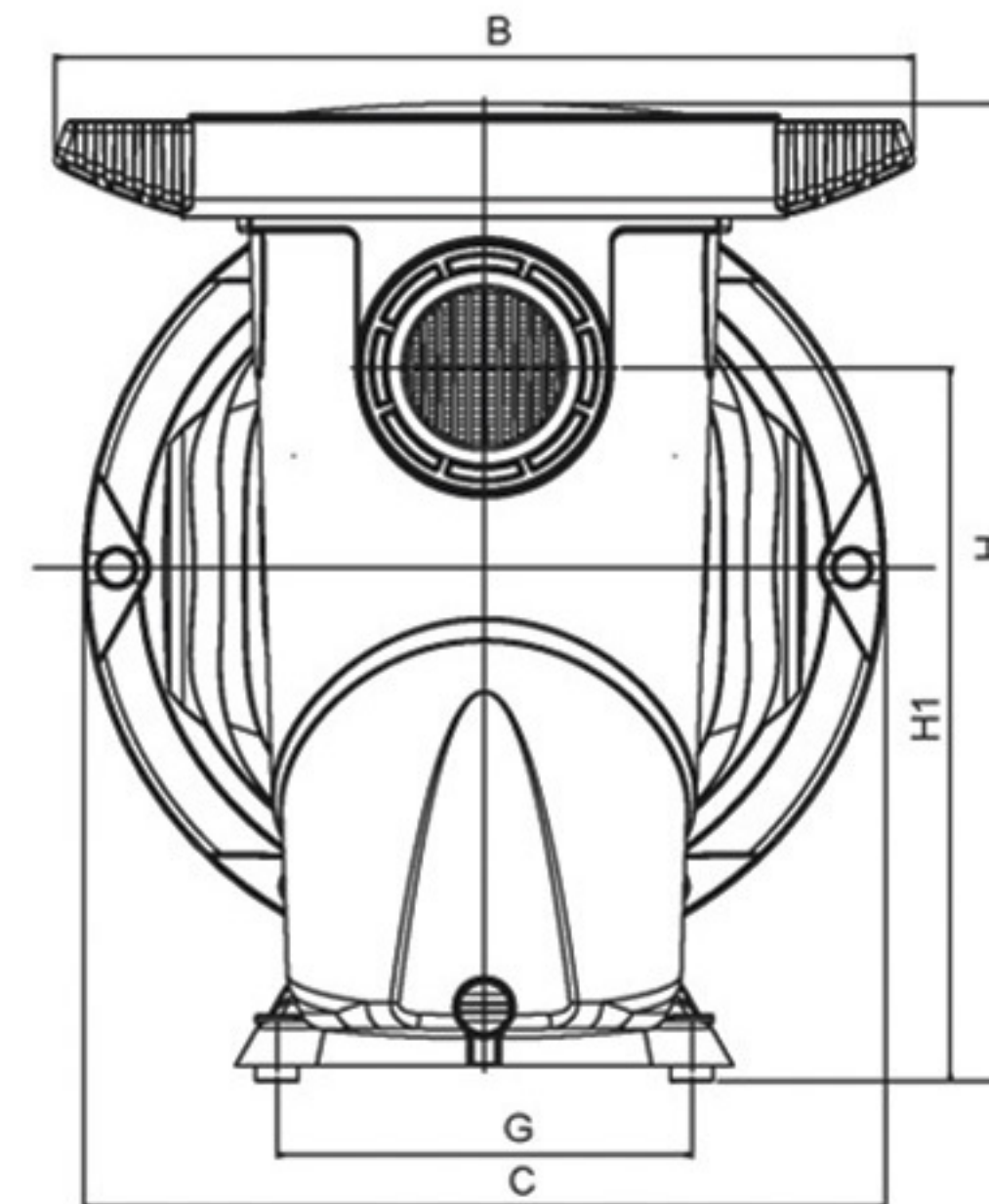
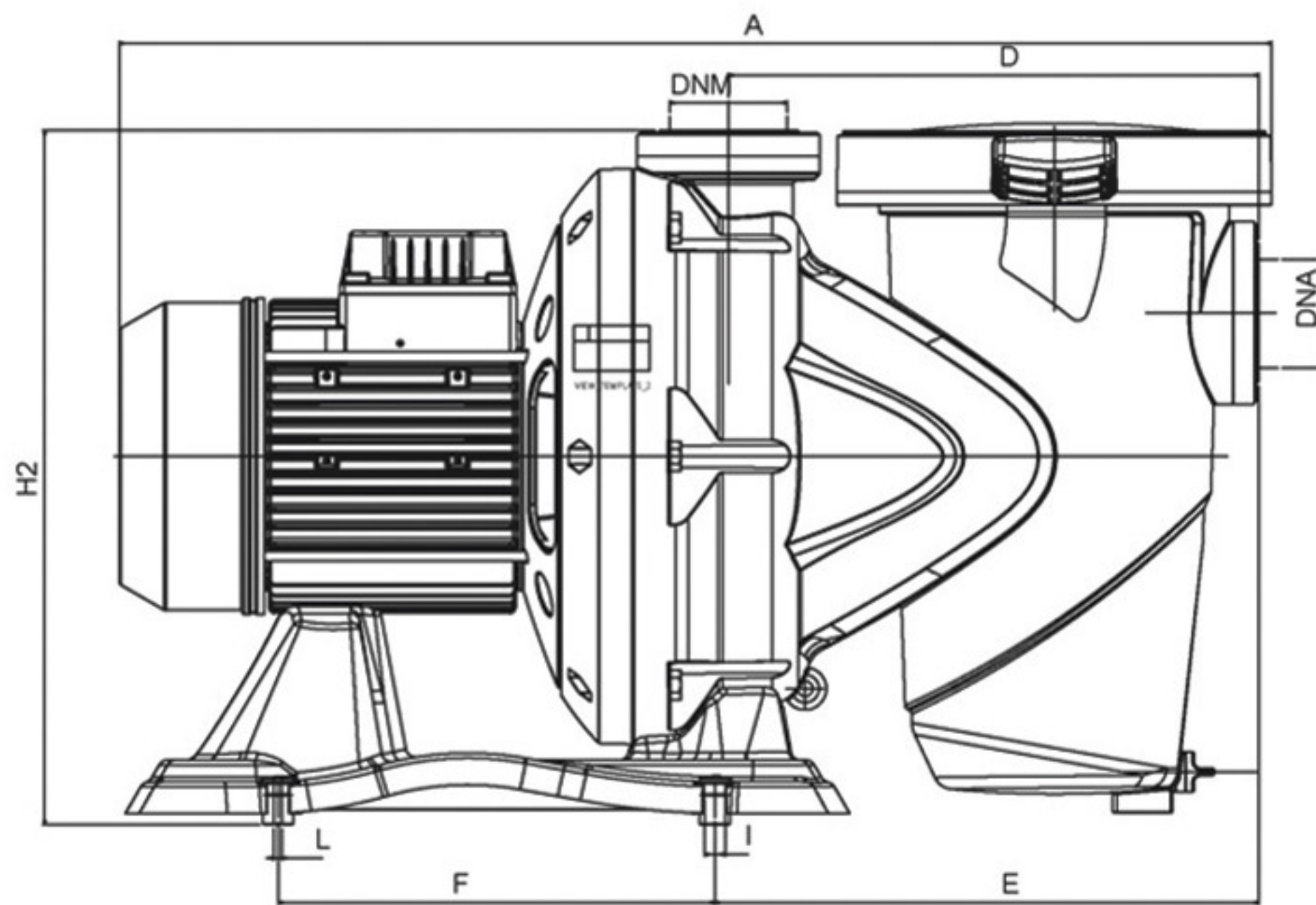
Discharge side :
2 " G
2,5 bar (250 kPa)

Flow :
158 US g.p.m.

Head :
59 ft

Rated speed :
3400 rpm

EUROSWIM 200 M



Dimensions in inch					Pump connection	
1	A	25.787	H1	10.157	Suction 2" G 2,5 bar (250 kPa) Discharge 2" G 2,5 bar (250 kPa)	
2	B	12.244	H2	13.78		
3	C	11.417	I	0.43307		
4	D	10.512	L	0.25591		
5	DNA	G2"				
6	DNM	G2"				
7	E	10.787				
8	F	8.6614				
9	G	5.9055				
10	H	13.898				