

# Gol Pumps Thechnology

## DATA SHEET Dewatering Pump JMS

Gol Pumps Technology INC  
[www.golpumps.com](http://www.golpumps.com)  
[www.golpumps.us](http://www.golpumps.us)  
 Email : [info@golpumps.com](mailto:info@golpumps.com)

### Pump Data

Brand : JMS  
 Model : JEGAL VOX 200 M

Head Rate: 40 FEET      Flow Rate: 44 GPM  
 Head Max: 51 FEET      Flow Max: 115 GPM  
 Head Min: 6 FEET      Flow Min: 5 GPM

RPM : 3450 rpm  
 Normal Power P1 : 3.5 HP  
 Fluid: Water  
 Fluid Temperature: at about 25 °C.  
 Density: water 1.0 kg/Dm³  
 Fluid Viscosity: 8.90 × 10⁻⁴ Pa·s  
 With Float switch: NONE  
 kind of Workiny: Submersible  
 Delivery size: 2" NPT  
 Suction size: With Strainer  
 Made in : ITALY

### Motor Data

Power P2:  
 Power P1: 2.8 KW  
 Phase (PH): 1  
 Rate Voltage : 220 V  
 Capacitor Need : 30      µF  
 Ferequency : 60 Hz  
 Rated Speed (rpm): 3450 rpm  
 Max. I (A): 9 A  
 Cos φ : 0.95  
 Degree of Protection (IP): IP 68  
 Safety Protection Included: F  
 length of Cable : 10 M  
 Kind of Plug : NONE  
 Ambient Temp : 40°C = 104°F

### Other Pump Data

Impeller Size (mm) : \*  
 Pressuer Rating : PN 16  
 Min. Fluid Temp : 10°C = 50°F  
 Max. Fluid Temp : 35°C = 95°F  
 Ambient Temp : 40°C = 104°F  
 Humidity % : 100%

### Special Specification

Installation status : Vertical  
 Variable frequency : NONE  
 Solid Passage 30 mm

### Materials

Pump Body : Stainless steel  
 Support: Stainless steel  
 Impeller: AISI 304  
 Mechanical Seal: Silicon Carbide / Ceramic  
 Rubber: VITON  
 Pump Shaft: AISI 316  
 Strainer: Stainless steel  
 outer cover: AISI 304  
 Motor: Stainless steel

### Shaft Seal

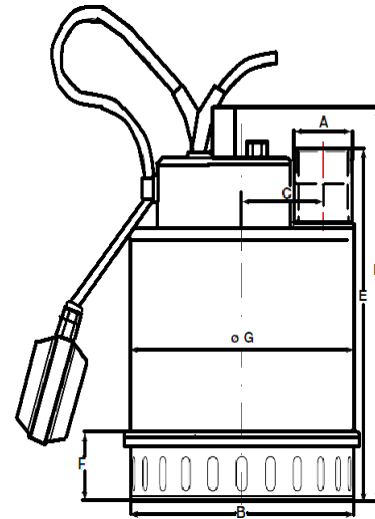
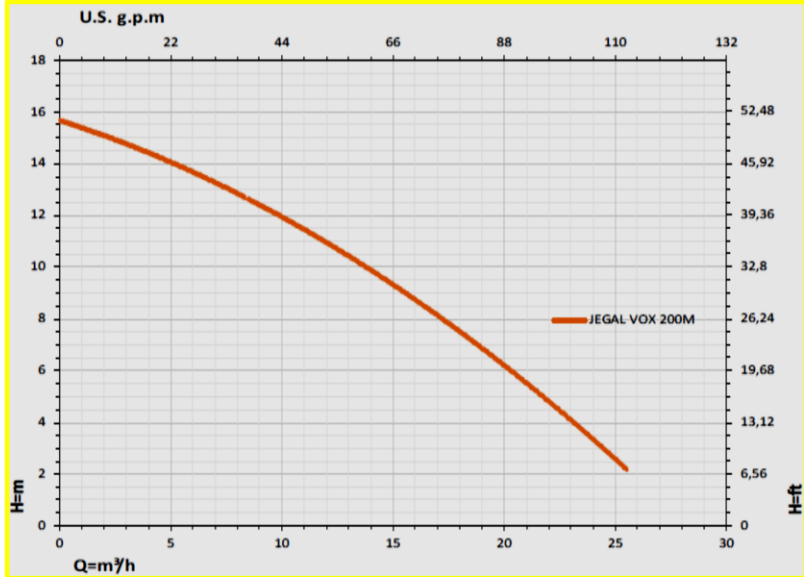
Type: \*  
 Stationary Part: AISI 316  
 Rotating Part: AISI 316  
 Elastomer: VITON

### Pump and Motor specification optional

With Booster System: None  
 With Complack: None  
 Special Material: None  
 Specail Voltage: None

### Protection system required

External Flout switch: YES  
 Minimum Starter: Starter SWT



Weight :18 Kg	Standard Approve	Applicant:	Dimention in	
				mm
		Rain Seepage Sump Pit And Catch Tank Water Pump Out	A	2" Inch
		Garden And Vegetable-Garden Mini Flood Irrigation System	B	204
		Rainwater Catch Tank Pump Down White Water Pump	C	73
		Over From Reservoirs Pumping Dirty Water With Possible	D	384.7
		Floating Solid Contents And Vats. Pumping Aggressive Liquid	E	393.2
			F	106
			G	203