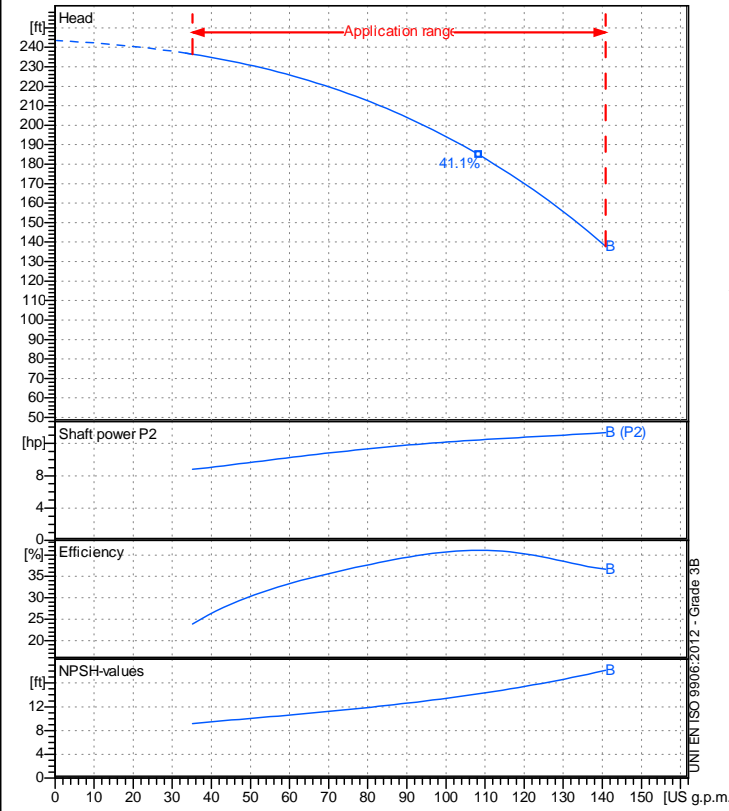


Receiver

From

 Company name
 Respons. Department
 Person in charge
 Phone number
 Fax no
 E-mail address

Operating data specification

Nominal flow	US g.p.m.	0
Nominal head	ft	0
Static head	ft	0
NPSH - v value of plant	ft	0
Inlet pressure	psi	1.42
Fluid	Water, pure	
Operating temperature t A	°F	68
Density at t A	lb/ft³	62.32
Kin. viscosity at t A	ft²/s	1.082E-5

Pump

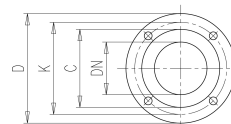
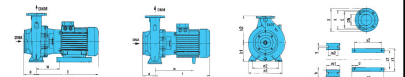
Pump name	6MG2 32-200N B		
Size	50/32/200		
Design			
Speed rpm	3600	No of stages	1
Impeller type			
Flow	Nominal	US g.p.m.	
	Max-	US g.p.m.	141
	Min-	US g.p.m.	35.2
Head	Nominal	ft	
	Max-	ft	236
	Min-	ft	138
Head H(Q=0)	ft	243	
NPSH 3%	ft		
Max. working pressure	psi	105	
Shaft power	hp		
Efficiency	%		
Max absorbed power	hp	13.347	

Materials Pump

Shaft	Stainless steel AISI 431 (1.4057)		
Impeller	Cast iron EN-GJL-250		
Pump body	Cast iron EN-GJL-250		
Seal disc	Cast iron EN-GJL-250		
Gasket	Natural fiber		
Mechanical seal	BVEG (Grafito/Ossido Allumina/EPDM)		

Dimensions in inch

a	3 1/8	z1	12 9/16
b	1 15/16	z2	10
d	14*4		
DNA	1 15/16		
DNM	1 1/4		
h1	6 5/16		
h2	7 1/16		
l	36 13/16		
m1	3 15/16		
m2	2 3/4		
n1	9 7/16		
n2	7 1/2		
s	9 9/16		
w	13 1/2		
x1	16 1/8		
x2	14 9/16		



C	3 1/16	C	4
D	5 1/2	D	6 1/2
DN	1 1/4	DN	1 15/16
K	3 15/16	K	4 15/16
n°	3/16	n°	3/16
Øn	3/4	Øn	3/4

Motor	Frame size	160 M		
Manufacturer / Type	SAER	MEC160M-2P-11		
Rated power	hp	14.751	Efficiency 4/4	87.5 %
Electric current	A	36/18	Speed rpm	3600
Electric voltage	V	230/460 V	3~	Hz 60
Starting mode	Unknown			
Degree of protection	IP 55	Insulation class	F	

Remarks:

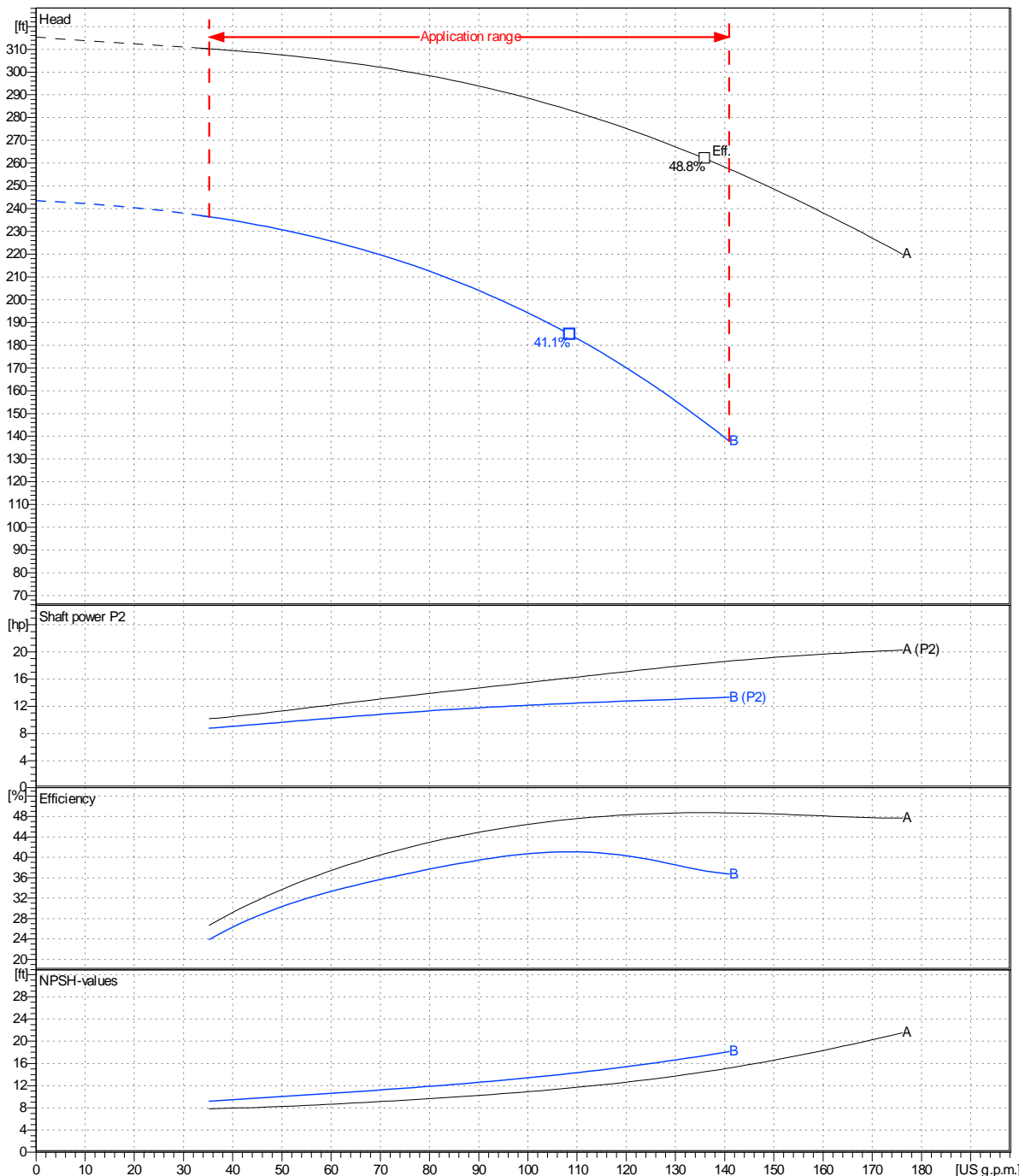
Project	Project ID	Created by	Created on	Last update
			2022-09-16	

	Receiver	From
Company name		
Respons. Department		
Person in charge		
Phone number		
Fax no		
E-mail address		

Operating area	Flow	Head	Impeller type
Operating data specification	0 US g.p.m.	0 ft	Impeller construction Closed
Pump data	US g.p.m.	ft	Sense of rotation Clockwise from the drive end
			Outlet width DN 32
	Flow	Head	Speed rpm 3600
	Min. Max. η Max.	H(Q=0) η Max.	Frequency Hz 60 Hz
	US g.p.m. US g.p.m. US g.p.m.	ft ft	
	35.2 141 109	243 185	
		Shaft power P2	
		P2(Q=0) Max. η Max.	
		hp hp hp	
		13.3 12.4	

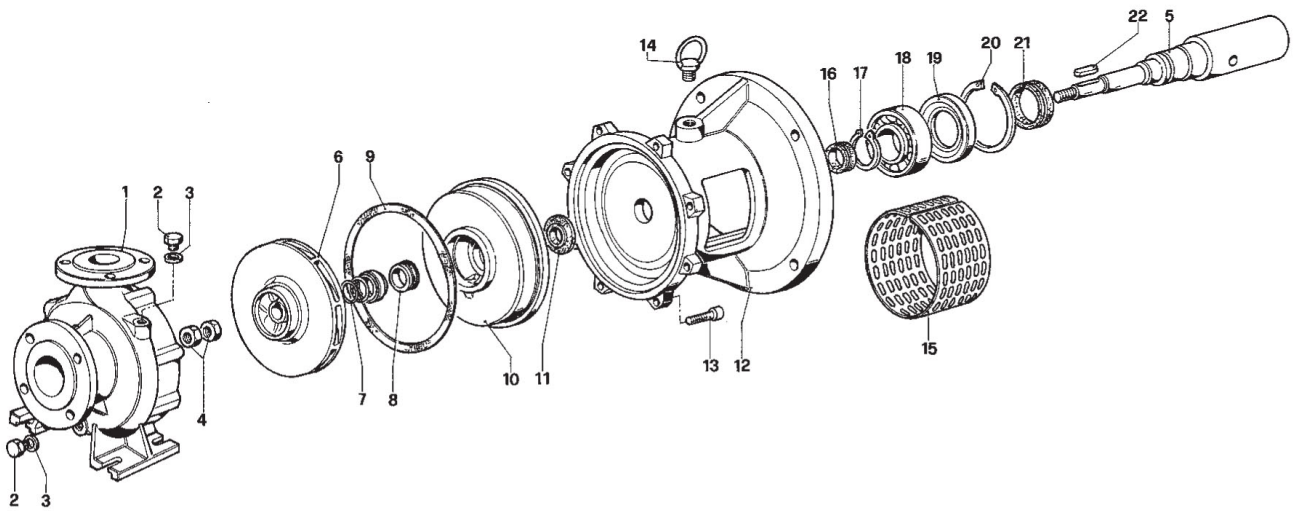
Performance data based to: Water, pure [100%]; 68°F; 62.3lb/ft³; 1.08E-5ft²/s

UNI EN ISO 9906:2012 - Grade 3B



Project	Project ID	Created by	Created on 2022-09-16	Last update
---------	------------	------------	---------------------------------	-------------

Company name
Respons. Department
Person in charge
Phone number
Fax no
E-mail address



Project	Project ID	Created by	Created on 2022-09-16	Last update
---------	------------	------------	---------------------------------	-------------