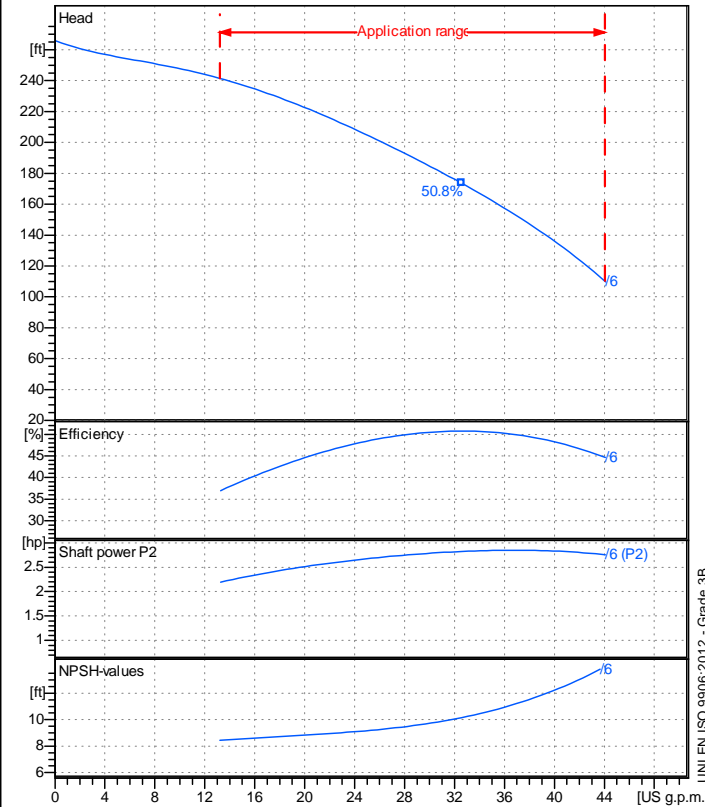


Receiver

From

 Company name
 Respons. Department
 Person in charge
 Phone number
 Fax no
 E-mail address

Operating data specification

Nominal flow	US g.p.m.	0
Nominal head	ft	0
Static head	ft	0
NPSH - v value of plant	ft	0
Inlet pressure	psi	1.42
Fluid		Water, pure
Operating temperature t A	°F	68
Density at t A	lb/ft³	62.32
Kin. viscosity at t A	ft²/s	1.082E-5

Pump

Pump name	6MK32/6		
Size			
Design			
Speed rpm	3500	No of stages	6
Impeller type	Radial impeller		
Flow	Nominal	US g.p.m.	
	Max-	US g.p.m.	44.1
	Min-	US g.p.m.	13.2
Head	Nominal	ft	
	Max-	ft	241
	Min-	ft	110
Head H(Q=0)	ft	266	
NPSH 3%	ft		
Max. working pressure	psi	115	
Shaft power	hp		
Efficiency	%		
Max absorbed power	hp	2.8467	

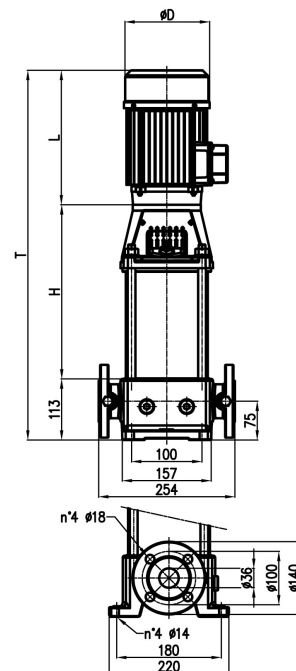
Materials Pump

Shaft	Stainless steel AISI 431 (1.4057)
Impeller	Stainless steel AISI 304 (1.4301)
Diffuser	Stainless steel AISI 304 (1.4301)
Gasket	EPDM Rubber
Base	Cast iron EN-GJL-250
Spider	Cast iron EN-GJL-250
Mechanical seal	BQ1EG (Gra/Sic/EPDM)
Pump pipe	Stainless steel AISI 304 (1.4301)

Motor	Frame size	90L		
Manufacturer / Type	SAER	MT2-V18-IE2		
Rated power	hp	2.9502	Efficiency 4/4	85.8 %
Electric current	A	3.5	Speed rpm	3550
Electric voltage	V	460V	3~	Hz 60
Starting mode	Unknown			
Degree of protection	IP 55	Insulation class	F	

Dimensions in inch

H	13 ⁷ / ₁₆	T	28 ⁹ / ₁₆
L	10 ¹¹ / ₁₆		
øD	7 ¹ / ₁₆		



Remarks:

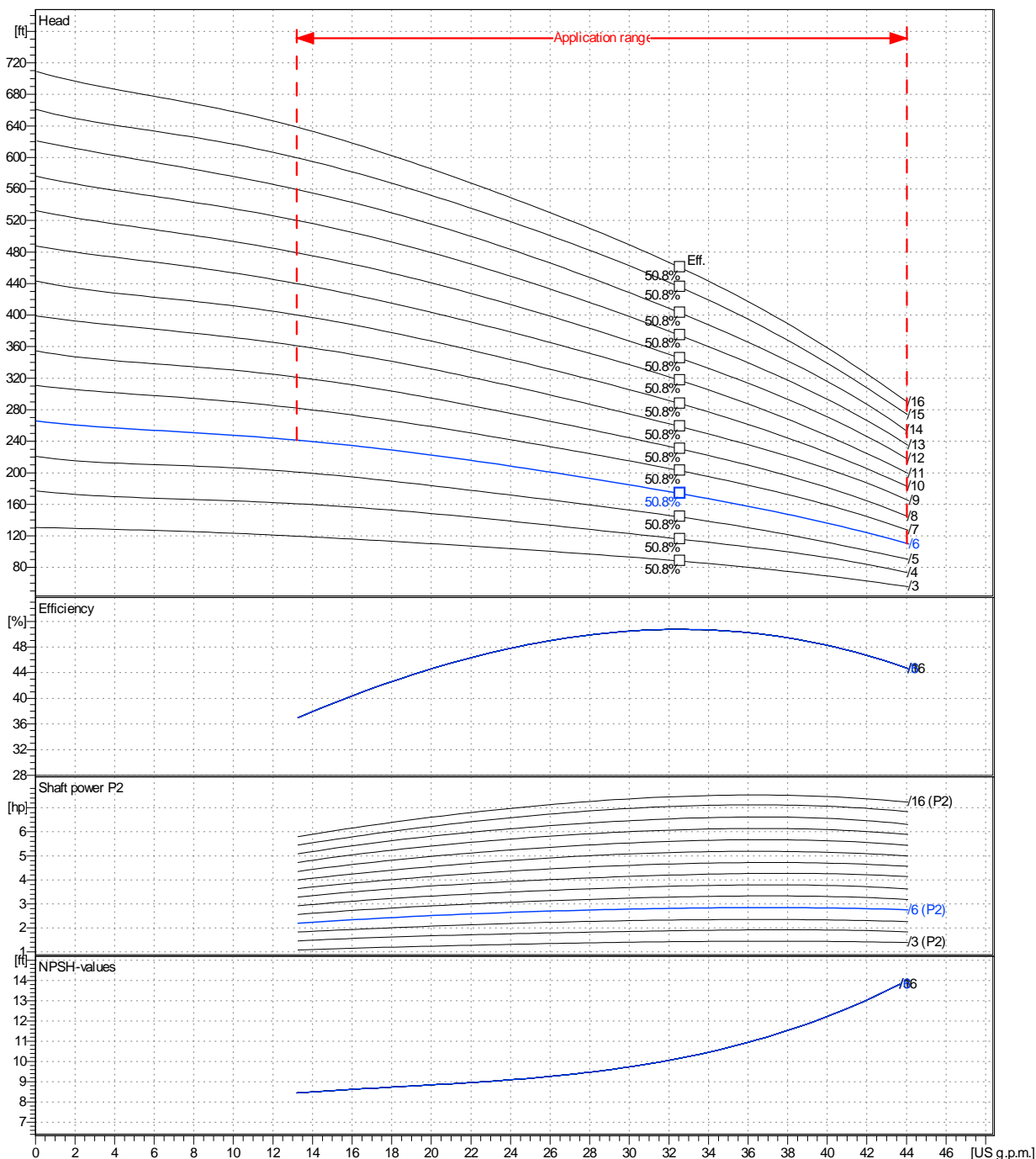
Project	Project ID	Created by	Created on	Last update
			2022-08-30	

Company name
 Respons. Department
 Person in charge
 Phone number
 Fax no
 E-mail address

Receiver	From

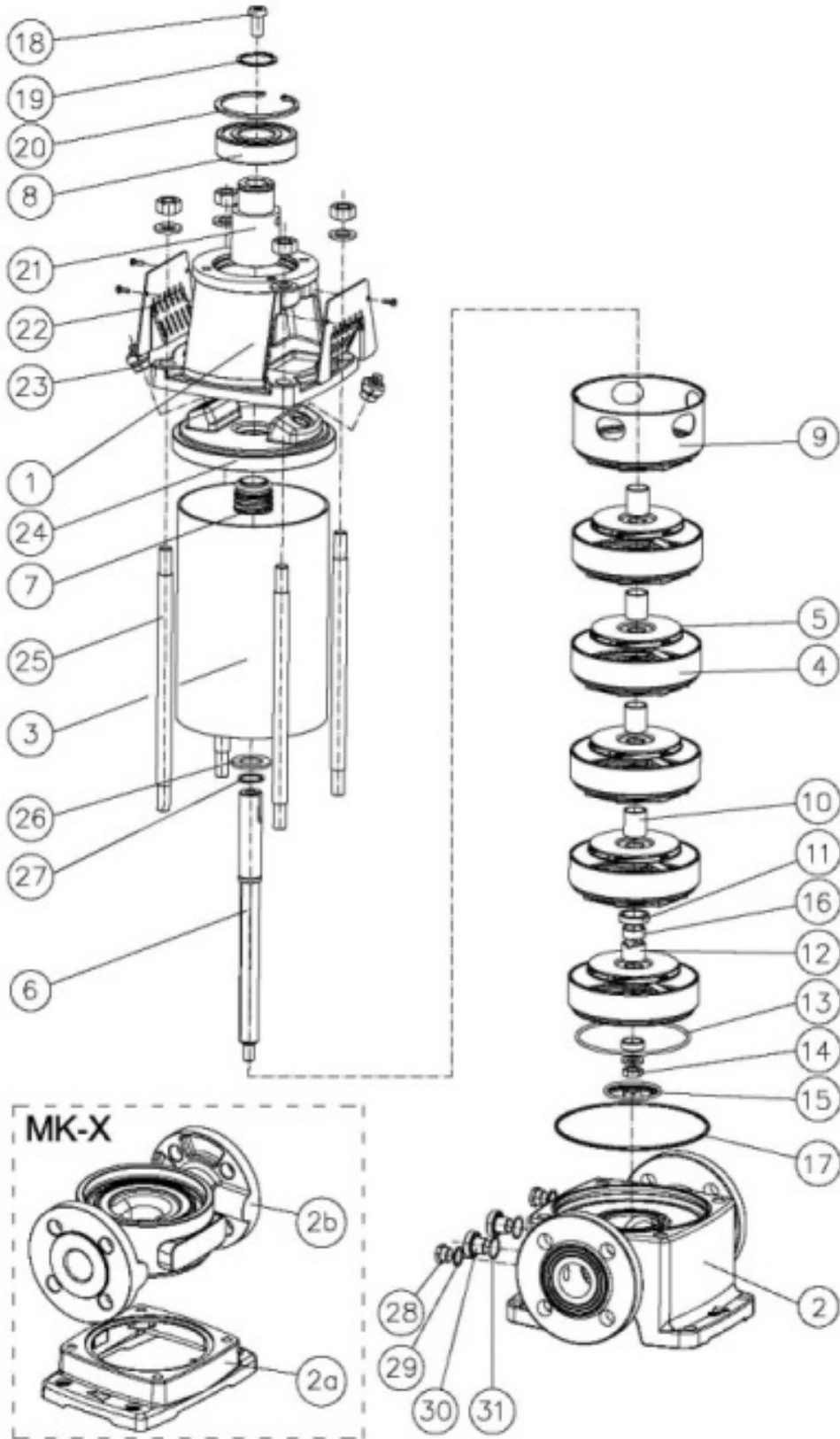
Operating area	Flow	Head	Impeller type	Radial impeller
Operating data specification	0 US g.p.m.	0 ft	Impeller construction	Closed
Pump data	US g.p.m.	ft	Sense of rotation	Clockwise from the drive end
			Outlet width	DN32
	Flow	Head	Shaft power P2	Speed rpm 3500
	Min. Max. η Max.	H(Q=0) η Max.	P2(Q=0) Max. η Max.	Frequency Hz 60 Hz
	US g.p.m. US g.p.m. US g.p.m.	ft ft	hp hp hp	
	13.2 44 32.6	266 174	2.85 2.82	

Performance data based to: Water, pure [100%]; 68°F; 62.3lb/ft³; 1.08E-5ft²/s UNI EN ISO 9906:2012 - Grade 3B



Project	Project ID	Created by	Created on 2022-08-30	Last update
---------	------------	------------	---------------------------------	-------------

Company name
Respons. Department
Person in charge
Phone number
Fax no
E-mail address



Project

Project ID

Created by

Created on
2022-08-30

Last update