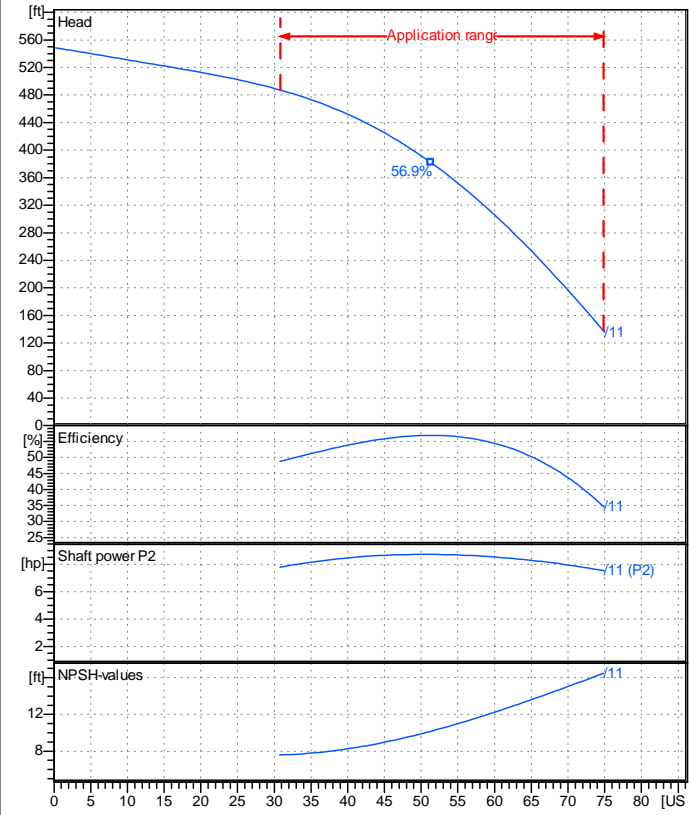


Company name  
 Respons. Department  
 Person in charge  
 Phone number  
 Fax no  
 E-mail address

Receiver	From



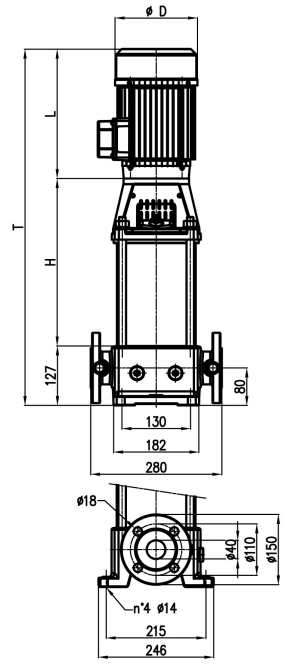
Operating data specification	
Nominal flow	US g.p.m. 0
Nominal head	ft 0
Static head	ft 0
NPSH - v value of plant	ft 0
Inlet pressure	psi 1.42
Fluid	Water, pure
Operating temperature t A	°F 68
Density at t A	lb/ft³ 62.32
Kin. viscosity at t A	ft²/s 1.082E-5

Pump			
Pump name		6MK40/11	
Size			
Design			
Speed	rpm 3500	No of stages	11
Impeller type		Radial impeller	
Flow	Nominal	US g.p.m.	
	Max-	US g.p.m.	75
	Min-	US g.p.m.	30.8
Head	Nominal	ft	
	Max-	ft	487
	Min-	ft	136
Head H(Q=0)		ft 549	
NPSH 3%		ft	
Max. working pressure		psi 238	
Shaft power		hp	
Efficiency		%	
Max absorbed power		hp 8.7148	

Materials Pump	
Shaft	Stainless steel AISI 431 (1.4057)
Impeller	Stainless steel AISI 304 (1.4301)
Diffuser	Stainless steel AISI 304 (1.4301)
Gasket	EPDM Rubber
Base	Cast iron EN-GJL-250
Spider	Cast iron EN-GJL-250
Mechanical seal	BQ1EG (Gra/Sic/EPDM)
Pump pipe	Stainless steel AISI 304 (1.4301)

### Dimensions in inch

H	21 <sup>15</sup> / <sub>16</sub>	T	45 <sup>11</sup> / <sub>16</sub>
L	18 <sup>11</sup> / <sub>16</sub>		
øD	10 <sup>1</sup> / <sub>4</sub>		



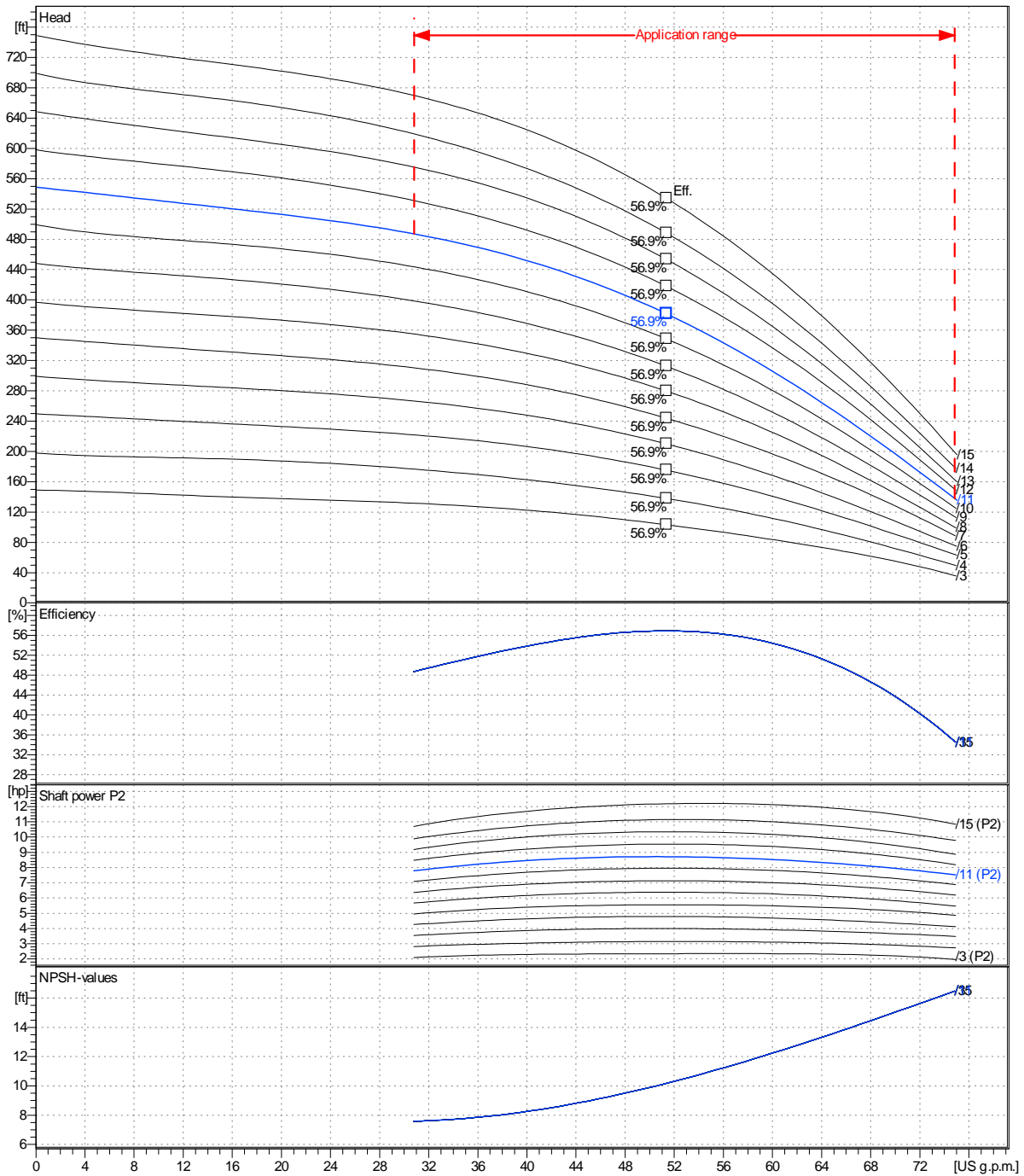
Motor		Frame size	132S	
Manufacturer / Type		SAER	MT2-V1-IE2	
Rated power	hp 10.058	Efficiency 4/4	90.1 %	
Electric current	A 11.3	Speed	rpm 3550	
Electric voltage	V 460V	3~	Hz 60	
Starting mode		Unknown		
Degree of protection		IP 55	Insulation class	F

Remarks:					
Project	Project ID	Created by	Created on	Last update	
			2022-08-30		

<b>Receiver</b>	<b>From</b>
Company name	
Respons. Department	
Person in charge	
Phone number	
Fax no	
E-mail address	

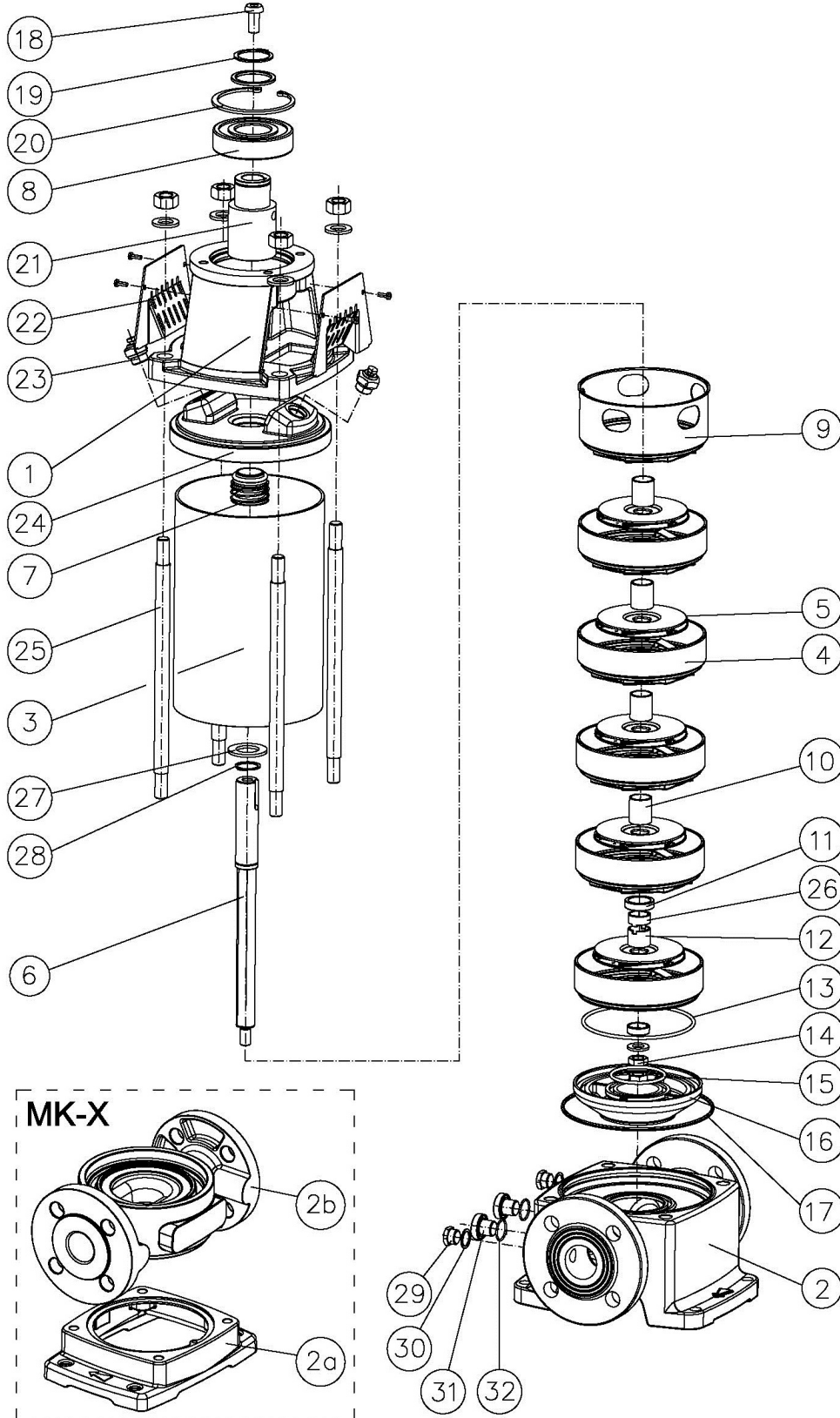
Operating area	Flow	Head	Impeller type	Radial impeller
Operating data specification	0 US g.p.m.	0 ft	Impeller construction	Closed
Pump data	US g.p.m.	ft	Sense of rotation	Clockwise from the drive end
			Outlet width	DN40
	Flow	Head	Shaft power P2	Speed rpm 3500
	Min. Max. $\eta$ Max.	H(Q=0) $\eta$ Max.	P2(Q=0) Max. $\eta$ Max.	Frequency Hz 60 Hz
	US g.p.m. US g.p.m. US g.p.m.	ft ft	hp hp hp	
	30.8 74.8 51.4	549 382	8.71 8.71	

Performance data based to: Water, pure [100%] ; 68°F; 62.3lb/ft<sup>3</sup>; 1.08E-5ft<sup>2</sup>/s UNI EN ISO 9906:2012 - Grade 3B



Project	Project ID	Created by	Created on	Last update
			2022-08-30	

Company name  
Respons. Department  
Person in charge  
Phone number  
Fax no  
E-mail address



Project

Project ID

Created by

Created on  
**2022-08-30**

Last update