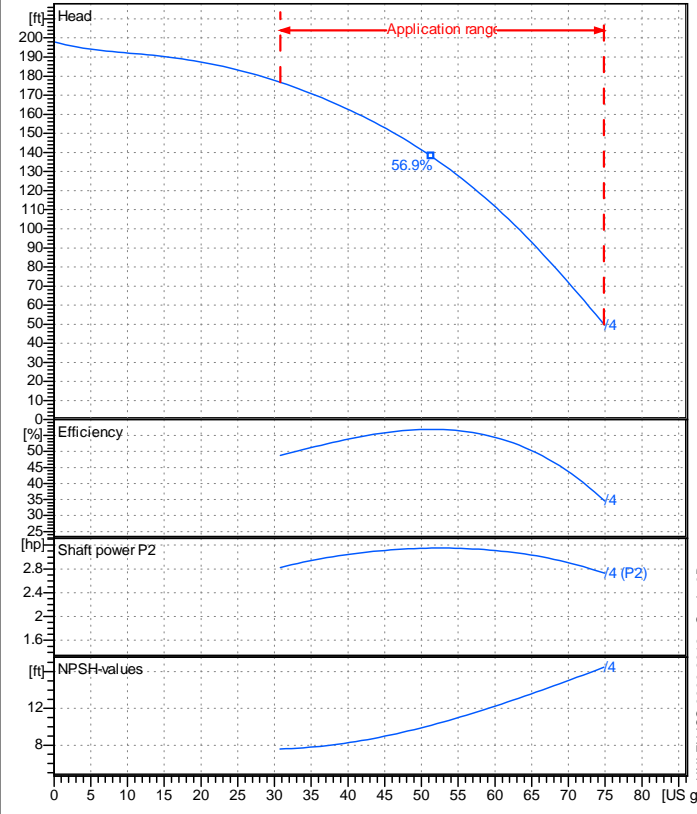


Company name  
 Respons. Department  
 Person in charge  
 Phone number  
 Fax no  
 E-mail address

Receiver	From



### Operating data specification

Nominal flow	US g.p.m. 0
Nominal head	ft 0
Static head	ft 0
NPSH - v value of plant	ft 0
Inlet pressure	psi 1.42
Fluid	Water, pure
Operating temperature t A	°F 68
Density at t A	lb/ft³ 62.32
Kin. viscosity at t A	ft²/s 1.082E-5

### Pump

Pump name		6MK40/4	
Size			
Design			
Speed	rpm 3500	No of stages	4
Impeller type		Radial impeller	
Flow	Nominal	US g.p.m.	
	Max-	US g.p.m.	74.9
	Min-	US g.p.m.	30.8
Head	Nominal	ft	
	Max-	ft	177
	Min-	ft	49.6
Head H(Q=0)		ft	198
NPSH 3%		ft	
Max. working pressure		psi	85.7
Shaft power		hp	
Efficiency		%	
Max absorbed power		hp	3.1505

### Materials Pump

Shaft	Stainless steel AISI 431 (1.4057)		
Impeller	Stainless steel AISI 304 (1.4301)		
Diffuser	Stainless steel AISI 304 (1.4301)		
Gasket	EPDM Rubber		
Base	Cast iron EN-GJL-250		
Spider	Cast iron EN-GJL-250		
Mechanical seal	BQ1EG (Gra/Sic/EPDM)		
Pump pipe	Stainless steel AISI 304 (1.4301)		

### Dimensions in inch

H	12 <sup>13</sup> / <sub>16</sub>	T	28 <sup>9</sup> / <sub>16</sub>
L	10 <sup>11</sup> / <sub>16</sub>		
øD	7 <sup>1</sup> / <sub>16</sub>		

<b>Motor</b>		Frame size	90L	
Manufacturer / Type		SAER	MT2-V18-IE2	
Rated power	hp	2.9502	Efficiency 4/4	85.8 %
Electric current	A	3.5	Speed	rpm 3550
Electric voltage	V	460V	3~	Hz 60
Starting mode		Unknown		
Degree of protection		IP 55	Insulation class	F

Remarks:				
Project	Project ID	Created by	Created on	Last update
			<b>2022-08-30</b>	

Receiver

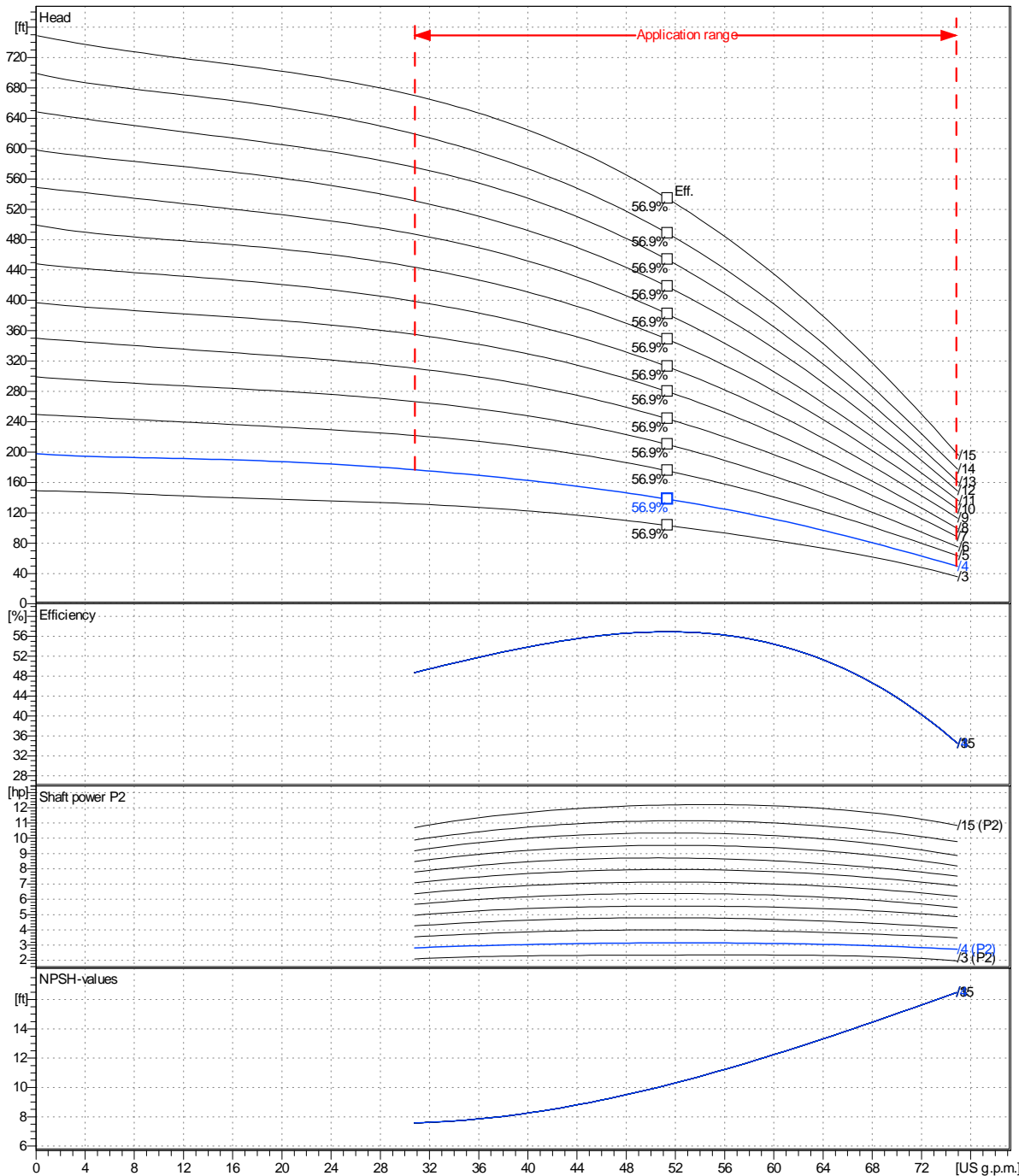
From

 Company name  
 Respons. Department  
 Person in charge  
 Phone number  
 Fax no  
 E-mail address

Operating area	Flow	Head	Impeller type	Radial impeller																																				
Operating data specification	0 US g.p.m.	0 ft	Impeller construction	Closed																																				
Pump data	US g.p.m.	ft	Sense of rotation	Clockwise from the drive end																																				
			Outlet width	DN40																																				
	<table border="1" style="width: 100%; border-collapse: collapse;"> <tr> <th colspan="2">Flow</th> <th colspan="2">Head</th> <th colspan="3">Shaft power P2</th> <th>Speed</th> <th>rpm</th> </tr> <tr> <th>Min.</th> <th>Max.</th> <th>H(Q=0)</th> <th><math>\eta</math> Max.</th> <th>P2(Q=0)</th> <th>Max.</th> <th><math>\eta</math> Max.</th> <td></td> <td>3500</td> </tr> <tr> <td>US g.p.m.</td> <td>US g.p.m.</td> <td>ft</td> <td>ft</td> <td>hp</td> <td>hp</td> <td>hp</td> <td>Hz</td> <td>60 Hz</td> </tr> <tr> <td>30.8</td> <td>74.8</td> <td>198</td> <td>138</td> <td></td> <td>3.15</td> <td>3.15</td> <td></td> <td></td> </tr> </table>	Flow		Head		Shaft power P2			Speed	rpm	Min.	Max.	H(Q=0)	$\eta$ Max.	P2(Q=0)	Max.	$\eta$ Max.		3500	US g.p.m.	US g.p.m.	ft	ft	hp	hp	hp	Hz	60 Hz	30.8	74.8	198	138		3.15	3.15					
Flow		Head		Shaft power P2			Speed	rpm																																
Min.	Max.	H(Q=0)	$\eta$ Max.	P2(Q=0)	Max.	$\eta$ Max.		3500																																
US g.p.m.	US g.p.m.	ft	ft	hp	hp	hp	Hz	60 Hz																																
30.8	74.8	198	138		3.15	3.15																																		

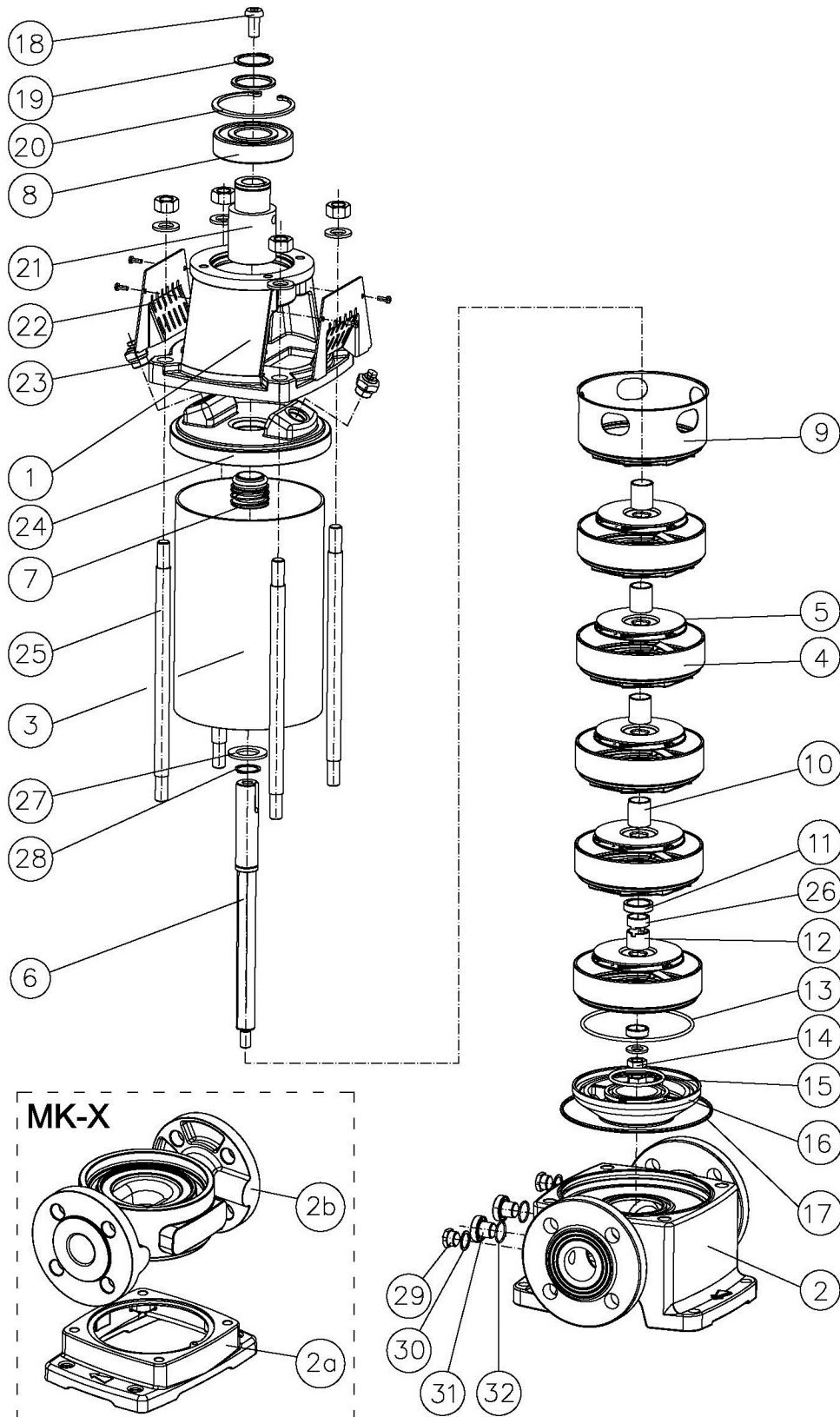
 Performance data based to: Water, pure [100%] ; 68°F; 62.3lb/ft<sup>3</sup>; 1.08E-5ft<sup>2</sup>/s

UNI EN ISO 9906:2012 - Grade 3B



Project	Project ID	Created by	Created on	Last update
			<b>2022-08-30</b>	

Company name  
Respons. Department  
Person in charge  
Phone number  
Fax no  
E-mail address



Project

Project ID

Created by

Created on  
**2022-08-30**

Last update