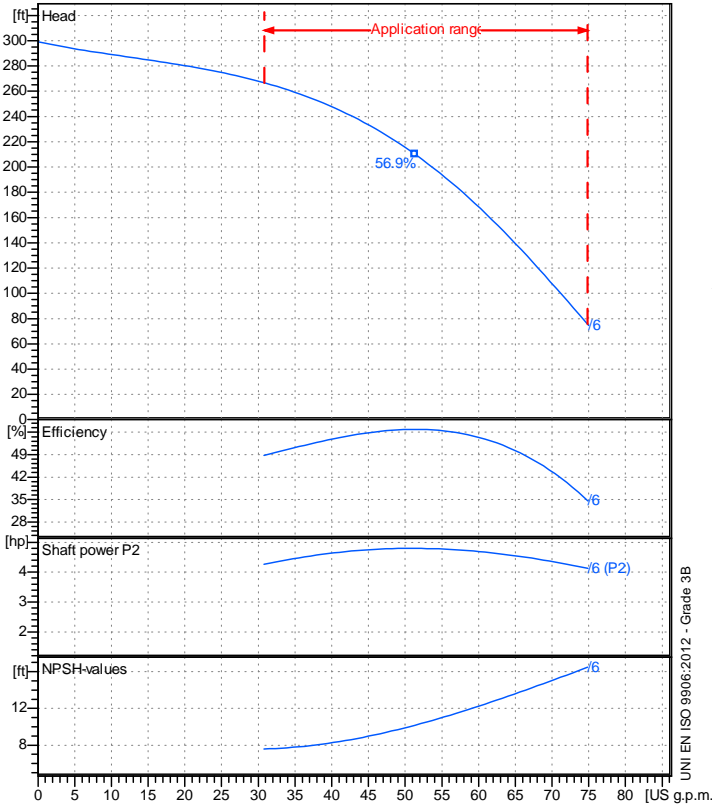


Receiver

From

 Company name
 Respons. Department
 Person in charge
 Phone number
 Fax no
 E-mail address


Operating data specification

Nominal flow	US g.p.m. 0
Nominal head	ft 0
Static head	ft 0
NPSH - v value of plant	ft 0
Inlet pressure	psi 1.42
Fluid	Water, pure
Operating temperature t A	°F 68
Density at t A	lb/ft³ 62.32
Kin. viscosity at t A	ft²/s 1.082E-5

Pump

Pump name		6MK40/6	
Size			
Design			
Speed	rpm 3500	No of stages	6
Impeller type		Radial impeller	
Flow	Nominal	US g.p.m.	
	Max-	US g.p.m.	75
	Min-	US g.p.m.	30.8
Head	Nominal	ft	
	Max-	ft	267
	Min-	ft	74.7
Head H(Q=0)		ft	299
NPSH 3%		ft	
Max. working pressure		psi	130
Shaft power		hp	
Efficiency		%	
Max absorbed power		hp	4.7954

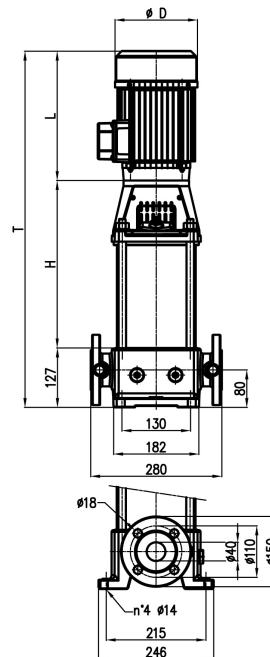
UNI EN ISO 9906:2012 - Grade 3B

Materials Pump

Shaft	Stainless steel AISI 431 (1.4057)
Impeller	Stainless steel AISI 304 (1.4301)
Diffuser	Stainless steel AISI 304 (1.4301)
Gasket	EPDM Rubber
Base	Cast iron EN-GJL-250
Spider	Cast iron EN-GJL-250
Mechanical seal	BQ1EG (Gra/Sic/EPDM)
Pump pipe	Stainless steel AISI 304 (1.4301)

Dimensions in inch

H	15 ³ / ₈	T	32 ³ / ₁₆
L	11 ⁷ / ₈		
øD	8 ¹ / ₄		



Motor		Frame size	112M	
Manufacturer / Type		SAER	MT2-V18-IE2	
Rated power	hp	5.3641	Efficiency 4/4	87.6 %
Electric current	A	6.25	Speed	rpm 3550
Electric voltage	V	460V	3~	Hz 60
Starting mode		Unknown		
Degree of protection		IP 55	Insulation class	F

Remarks:

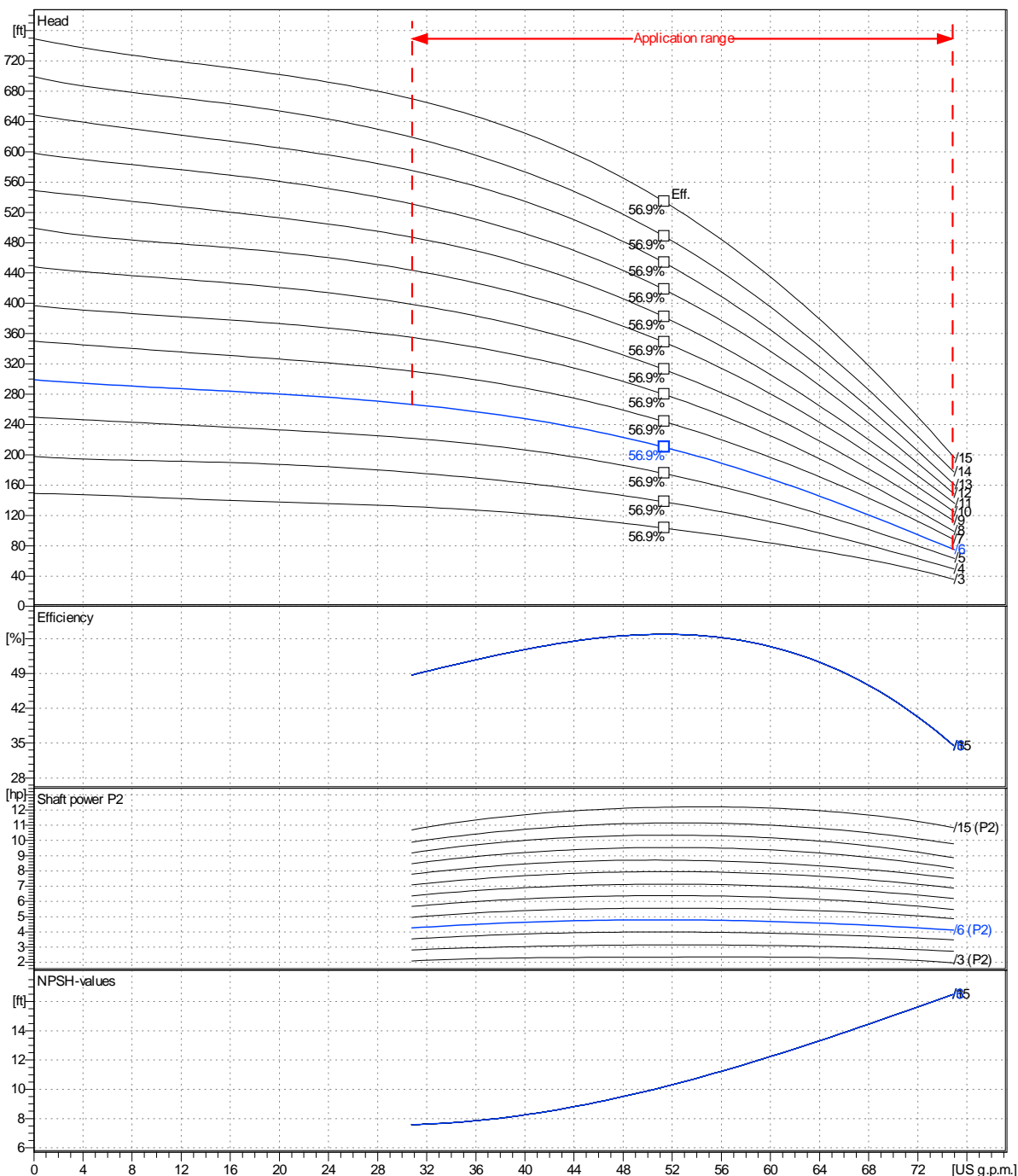
Project	Project ID	Created by	Created on	Last update
			2022-08-30	

Receiver	From
Company name	
Respons. Department	
Person in charge	
Phone number	
Fax no	
E-mail address	

Operating area	Flow	Head	Impeller type	Radial impeller
Operating data specification	0 US g.p.m.	0 ft	Impeller construction	Closed
Pump data	US g.p.m.	ft	Sense of rotation	Clockwise from the drive end
			Outlet width	DN40
	Flow	Head	Shaft power P2	Speed rpm 3500
	Min. Max. η Max.	H(Q=0) η Max.	P2(Q=0) Max. η Max.	Frequency Hz 60 Hz
	US g.p.m. US g.p.m. US g.p.m.	ft ft	hp hp hp	
	30.8 74.8 51.4	299 210	4.8 4.8	

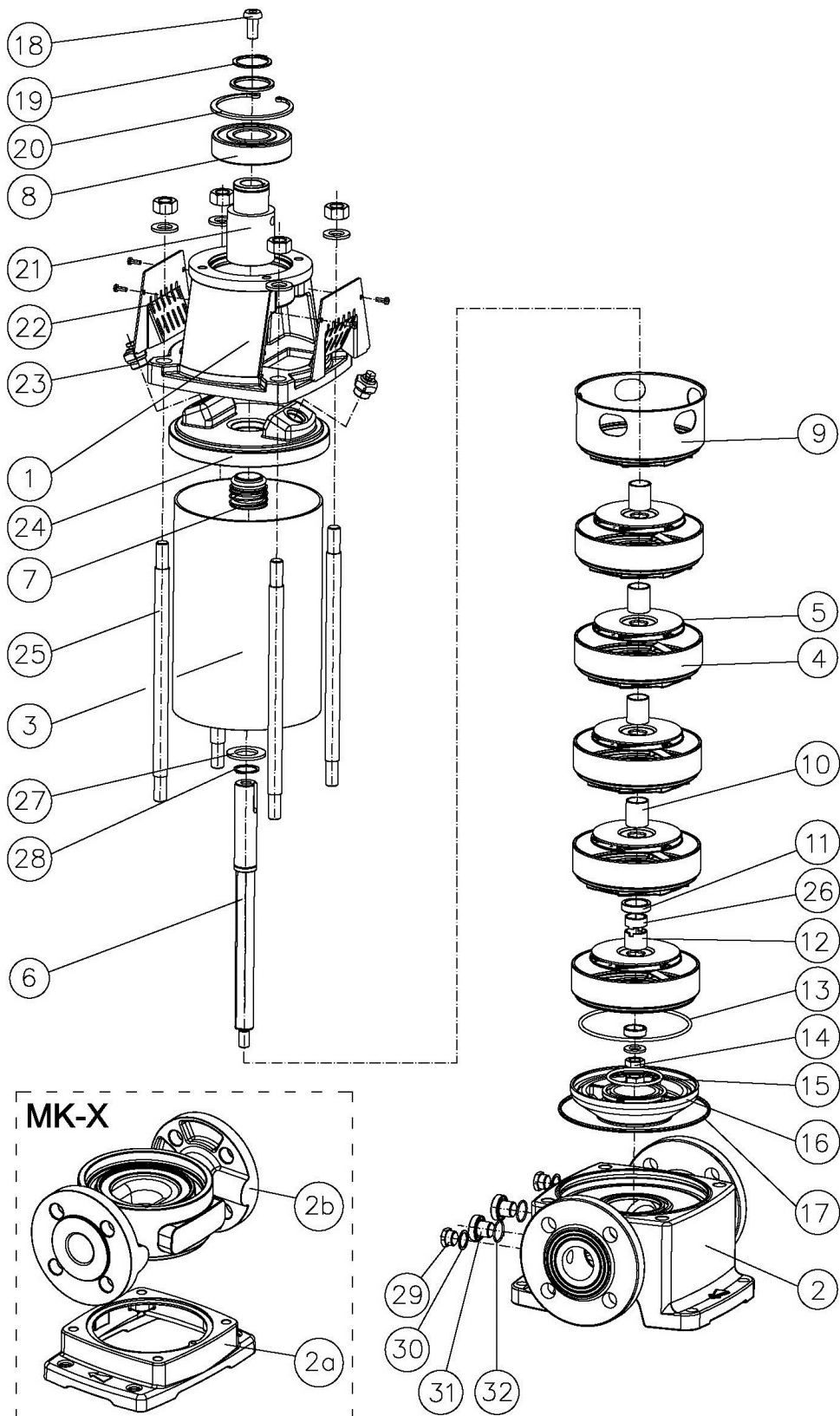
Performance data based to: Water, pure [100%] ; 68°F; 62.3lb/ft³; 1.08E-5ft²/s

UNI EN ISO 9906:2012 - Grade 3B



Project	Project ID	Created by	Created on	Last update
			2022-08-30	

Company name
Respons. Department
Person in charge
Phone number
Fax no
E-mail address



Project

Project ID

Created by

Created on
2022-08-30

Last update