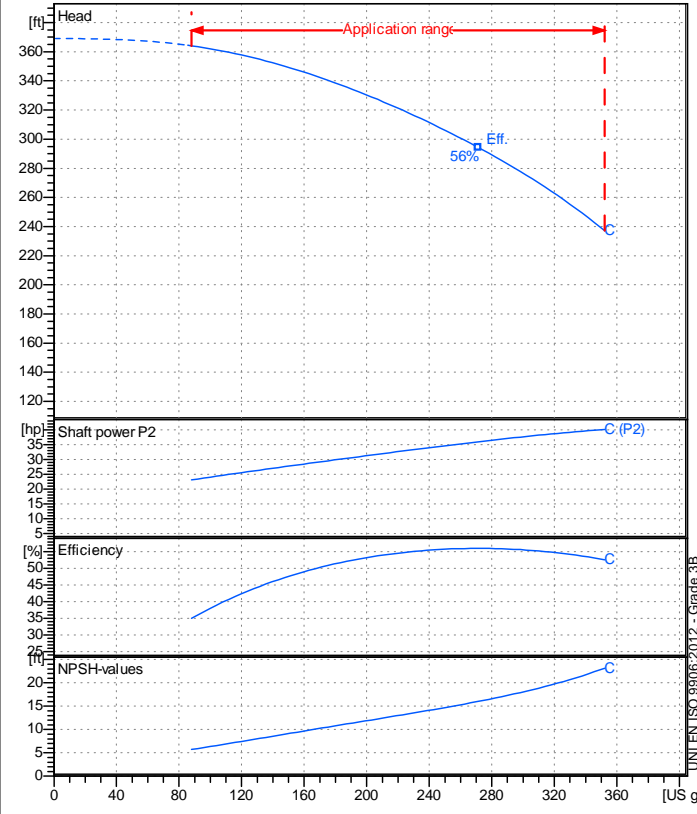


Company name
 Respons. Department
 Person in charge
 Phone number
 Fax no
 E-mail address

Receiver	From



Operating data specification

Nominal flow	US g.p.m. 0
Nominal head	ft 0
Static head	ft 0
NPSH - v value of plant	ft 0
Inlet pressure	psi 1.42
Fluid	Water, pure
Operating temperature t A	°F 68
Density at t A	lb/ft³ 62.32
Kin. viscosity at t A	ft²/s 1.082E-5

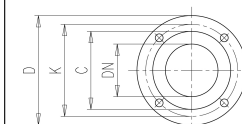
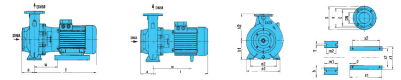
Pump		6MG-M2 40-250N C	
Pump name	6MG-M2 40-250N C		
Size	50/32/200		
Design			
Speed rpm	3600	No of stages	1
Impeller type			
Flow	Nominal	US g.p.m.	
	Max-	US g.p.m.	352
	Min-	US g.p.m.	88.1
Head	Nominal	ft	
	Max-	ft	364
	Min-	ft	237
Head H(Q=0)	ft 369		
NPSH 3%	ft		
Max. working pressure	psi 160		
Shaft power	hp		
Efficiency	%		
Max absorbed power	hp 40.11		

Materials Pump

Shaft	Duplex Stainless steel (1.4362)
Impeller	Bronze G-CuSn10 (CC480K)
Pump body	Bronze G-CuSn10 (CC480K)
Seal disc	Bronze G-CuSn10 (CC480K)
Gasket	Natural fiber
Mechanical seal	Q1Q1VG (SiC/SiC/FPM)

Dimensions in inch

- a 3¹⁵/₁₆ z1 15⁹/₁₆
- b 2⁹/₁₆ z2 12¹/₂
- d 18*4
- DNA 2⁹/₁₆
- DNM 1⁹/₁₆
- h1 7¹/₁₆
- h2 8⁷/₈
- l 39¹⁵/₁₆
- m1 4¹⁵/₁₆
- m2 3³/₄
- n1 12⁵/₈
- n2 9¹³/₁₆
- s 9⁹/₁₆
- w 17¹¹/₁₆
- x1 14³/₈
- x2 12



- C 3⁷/₁₆ C 4¹³/₁₆
- D 5⁷/₈ D 7⁵/₁₆
- DN 1⁹/₁₆ DN 2⁹/₁₆
- K 4⁵/₁₆ K 5¹¹/₁₆
- n° 3⁷/₁₆ n° 3⁷/₁₆
- Øn 3⁷/₄ Øn 3⁷/₄

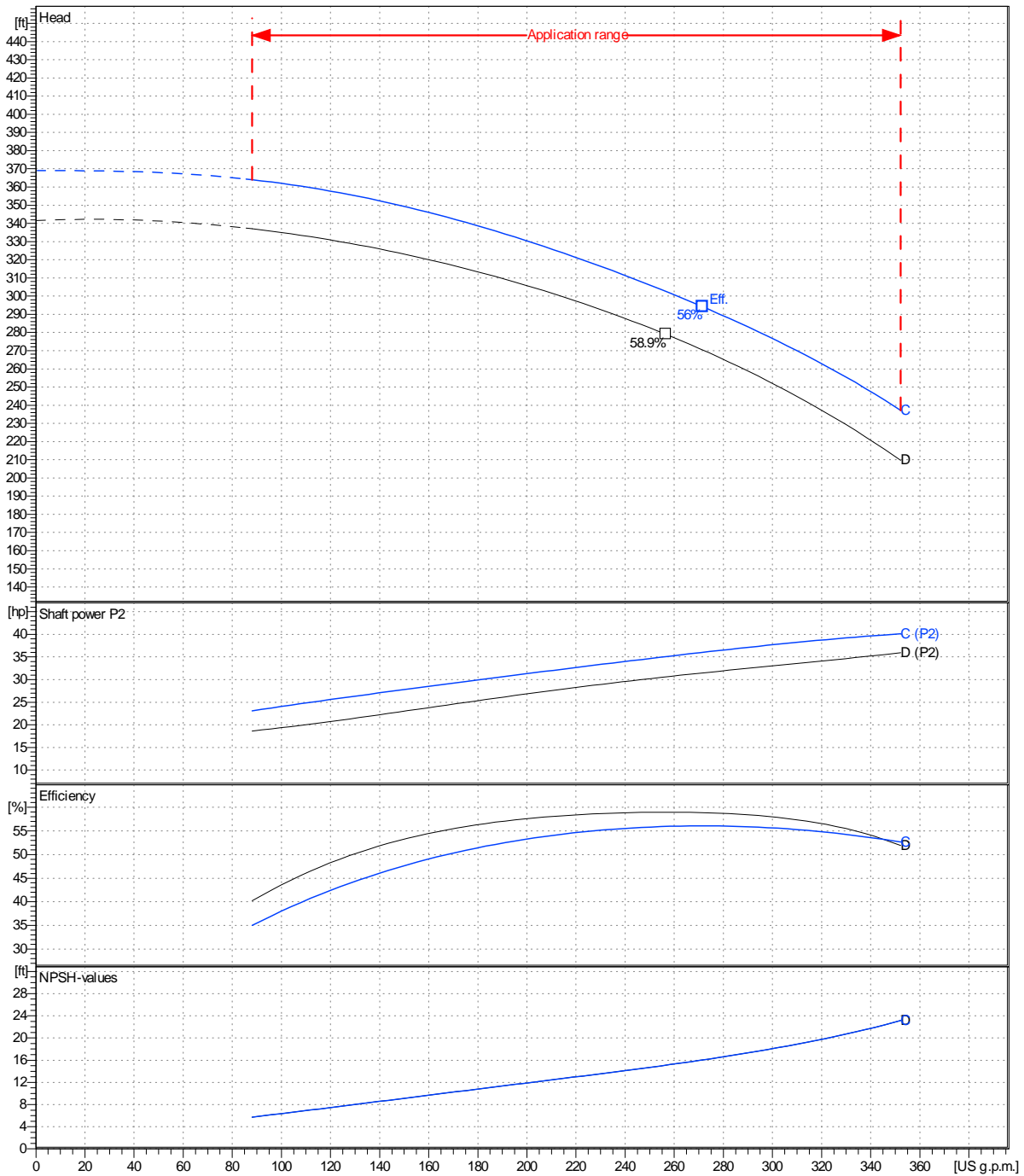
Motor	Frame size	200 L		
Manufacturer / Type	SAER	MEC200L-2P-30		
Rated power	hp	40.231	Efficiency 4/4	90.2 %
Electric current	A	50	Speed rpm	3600
Electric voltage	V	460 V	3~	Hz 60
Starting mode	Unknown			
Degree of protection	IP 55	Insulation class	F	

Remarks:				
Project	Project ID	Created by	Created on	Last update
			2022-09-19	

Receiver	From
Company name	
Respons. Department	
Person in charge	
Phone number	
Fax no	
E-mail address	

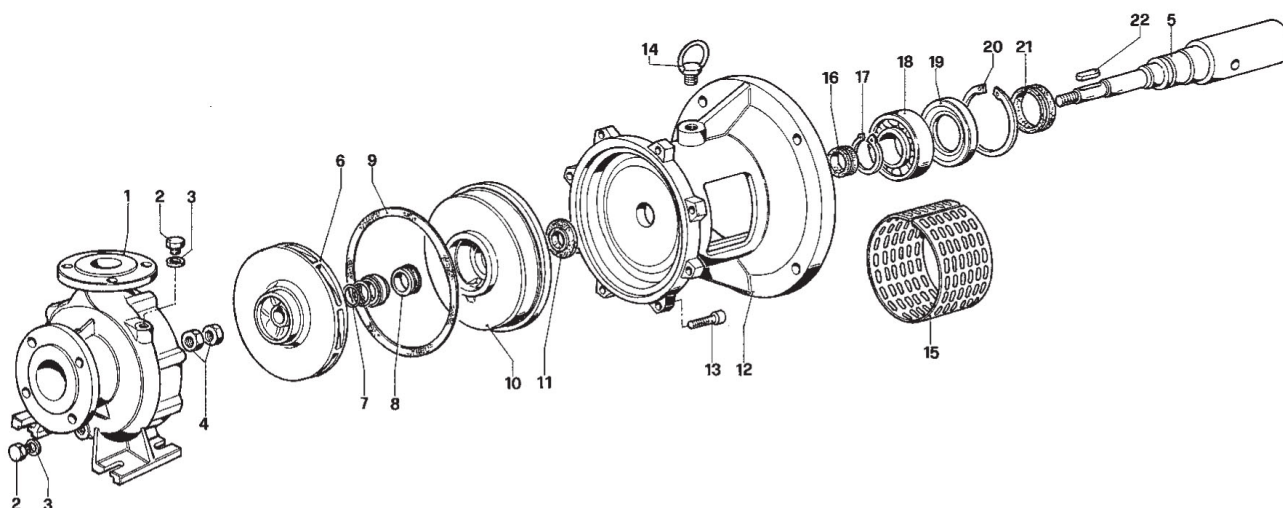
Operating area	Flow	Head	Impeller type
Operating data specification	0 US g.p.m.	0 ft	Impeller construction
Pump data	US g.p.m.	ft	Sense of rotation
			Outlet width
			DN 40
			Speed
			rpm 3600
			Frequency
			Hz 60 Hz

Performance data based to: Water, pure [100%] ; 68°F; 62.3lb/ft³; 1.08E-5ft²/s UNI EN ISO 9906:2012 - Grade 3B



Project	Project ID	Created by	Created on	Last update
			2022-09-19	

Company name
Respons. Department
Person in charge
Phone number
Fax no
E-mail address



Project

Project ID

Created by

Created on
2022-09-19

Last update