



## Technical Data

### Immersible Coolant Pump - SBK 10-5/5

Revision no.

Page:  
 1

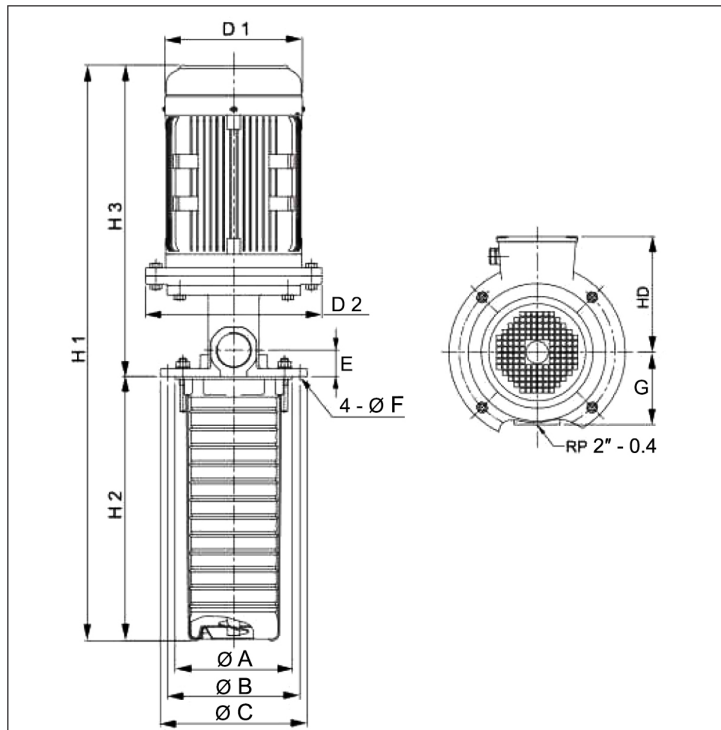
	Receiver	From
Company name		
Respons. Department		
Person in charge		
Phone number		
Fax no		
E-mail address		



**Brand: Gol Pumps**  
**Model: SBK 10-5/5**  
**Material: Stainless Steel**

Enclosure Class	IP55
Insulation Class	F
Liquid Temp. Range	-50 °F to +194 °F
Max. ambient temp.	+122 °F
Mechanical Seal	SUUUV

### Dimensions:



Pump Installation Size (inch)													Weight
Outlet	A	B	C	E	F	G	H1	H2	H3	D1	D2	HD	lb
RP 2-0.4	7.9	8.9	9.8	1.8	0.4	4.8	27.4	9.4	18	7.8	6.3	5.8	94.2

Project	Project ID	Created by	Created on	Last update
---------	------------	------------	------------	-------------



# Performance Curves

## Immersible Coolant Pump - SBK 10-5/5

Revision no.

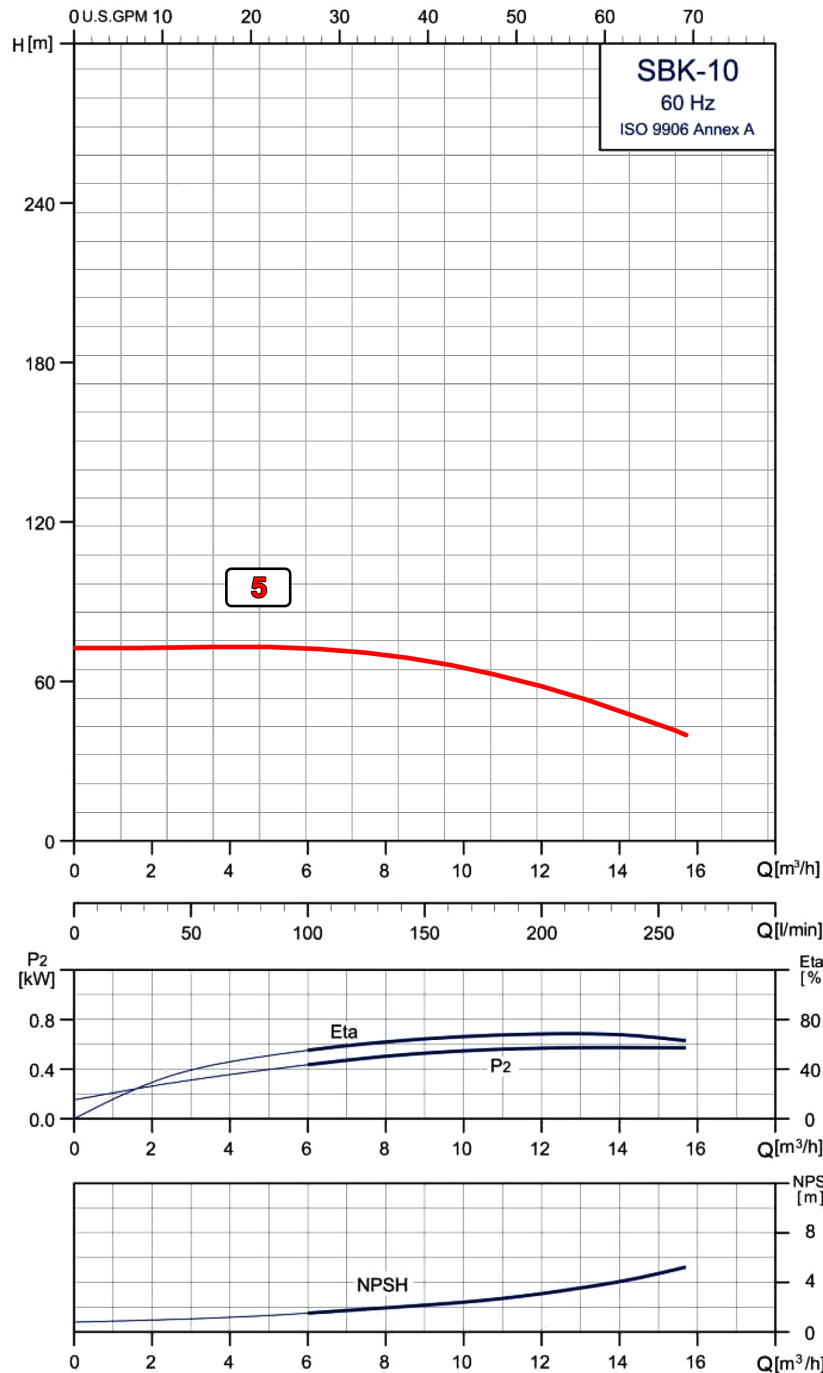
Page:  
2

Receiver

From

Company name  
Respons. Department  
Person in charge  
Phone number  
Fax no  
E-mail address

Model	Capacity			Head		Speed	Motor	Voltage	Phase	Amps	Eff.	(NPSH)r
	m <sup>3</sup> /h	l/m	gpm	m	ft	r/min	hp	v			%	ft
SBK 10-5/5	15.8	265	70	75	246.1	3450	4	230/460	3	11.4/6.1	70	16.4



Project

Project ID

Created by

Created on

Last update



## Parts and Materials

### Multi-Stage Horizontal Pump - SBK 10-5/5

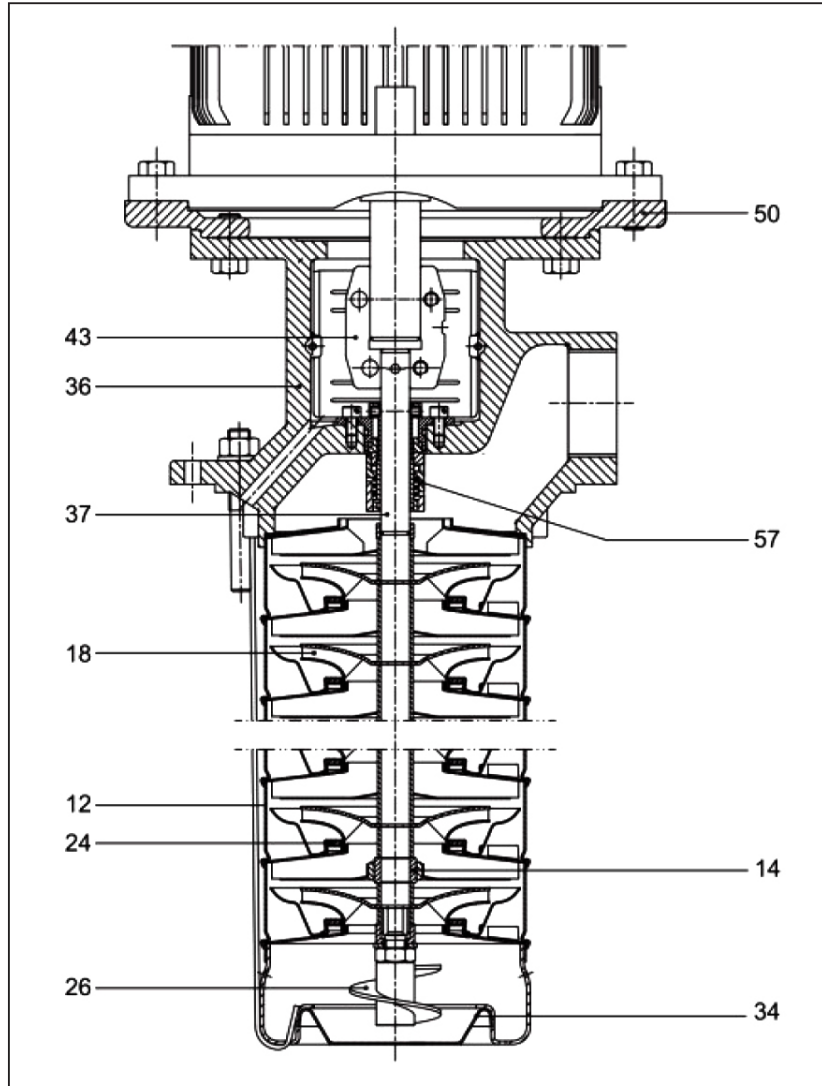
Revision no.

Page:

3

Receiver

From

 Company name  
 Respons. Department  
 Person in charge  
 Phone number  
 Fax no  
 E-mail address


No	Component	Material	AISI/ASTM
12	Chamber Complete	Stainless Steel	AISI 304
14	Bearing Ring	Sic	
18	Impeller	Stainless Steel	AISI 304
24	Neck Ring	PTFE	
26	Priming Screw	Stainless Steel	AISI 304
34	Strainer	Stainless Steel	AISI 304
36	Pump Head	EN-GJL-200	ASTM 25B
37	Pump Shaft	Stainless Steel	AISI 431
43	Coupling		
50	Motor Stool	EN-GJL-200	ASTM 25B
57	Shaft Seal	SUUV	

Project

Project ID

Created by

Created on

Last update



# Installation

## Immersible Coolant Pump - SBK 10-5/5

Revision no.

Page:

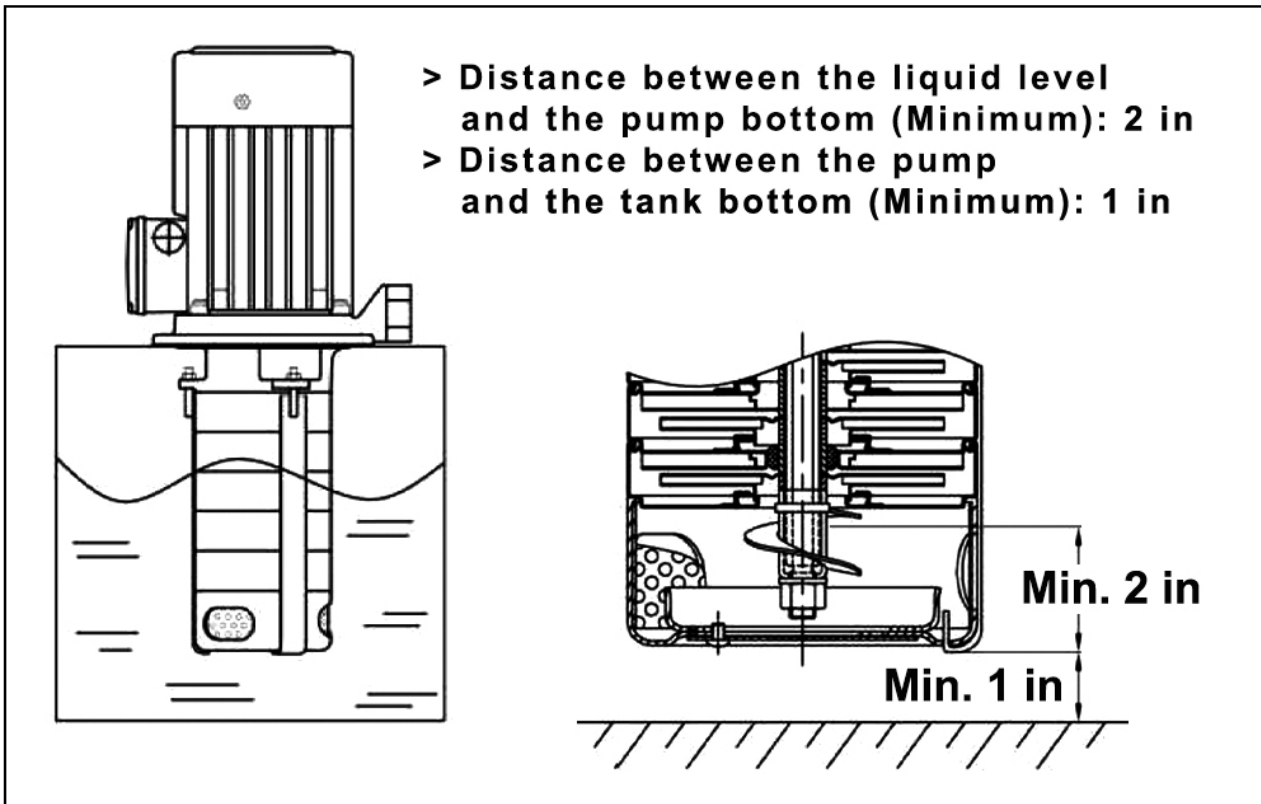
4

Receiver

From

Company name  
Respons. Department  
Person in charge  
Phone number  
Fax no  
E-mail address





Project

Project ID

Created by

Created on

Last update