



## Technical Data

### Immersible Coolant Pump - SPC 2-25

Revision no.

Page:

1

Receiver

From

 Company name  
 Respons. Department  
 Person in charge  
 Phone number  
 Fax no  
 E-mail address

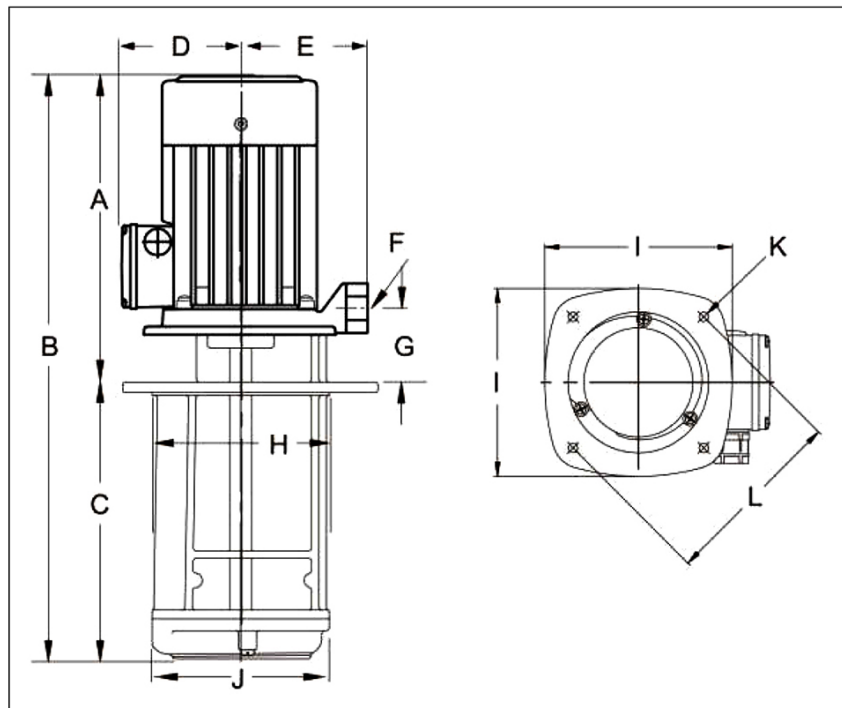




**Brand: Gol Pumps**  
**Model: SPC 2-25**

Frequency	60 Hz
Enclosure Class	IP54
Insulation Class	F
Liquid Temp. Range	+32 °F ~ +194 °F
Max. Ambient Temp.	+104 °F
Max. Operating Pressure	142 PSI
Liquid Viscosity	1 ~ 32 cSt

### Dimensions:



Pump Installation Size (inch)													Weight
Outlet	A	B	C	D	E	F	G	H	I	J	K	L	lb
RP 1/2	7.3	17.1	9.8	4.5	3.3	RP 1/2	0.8	4.3	6.3	4.7	4-Ø0.3	PCD 6.2	23.1

Project

Project ID

Created by

Created on

Last update



# Performance Curve

## Immersible Coolant Pump - SPC 2-25

Revision no.

Page:  
2

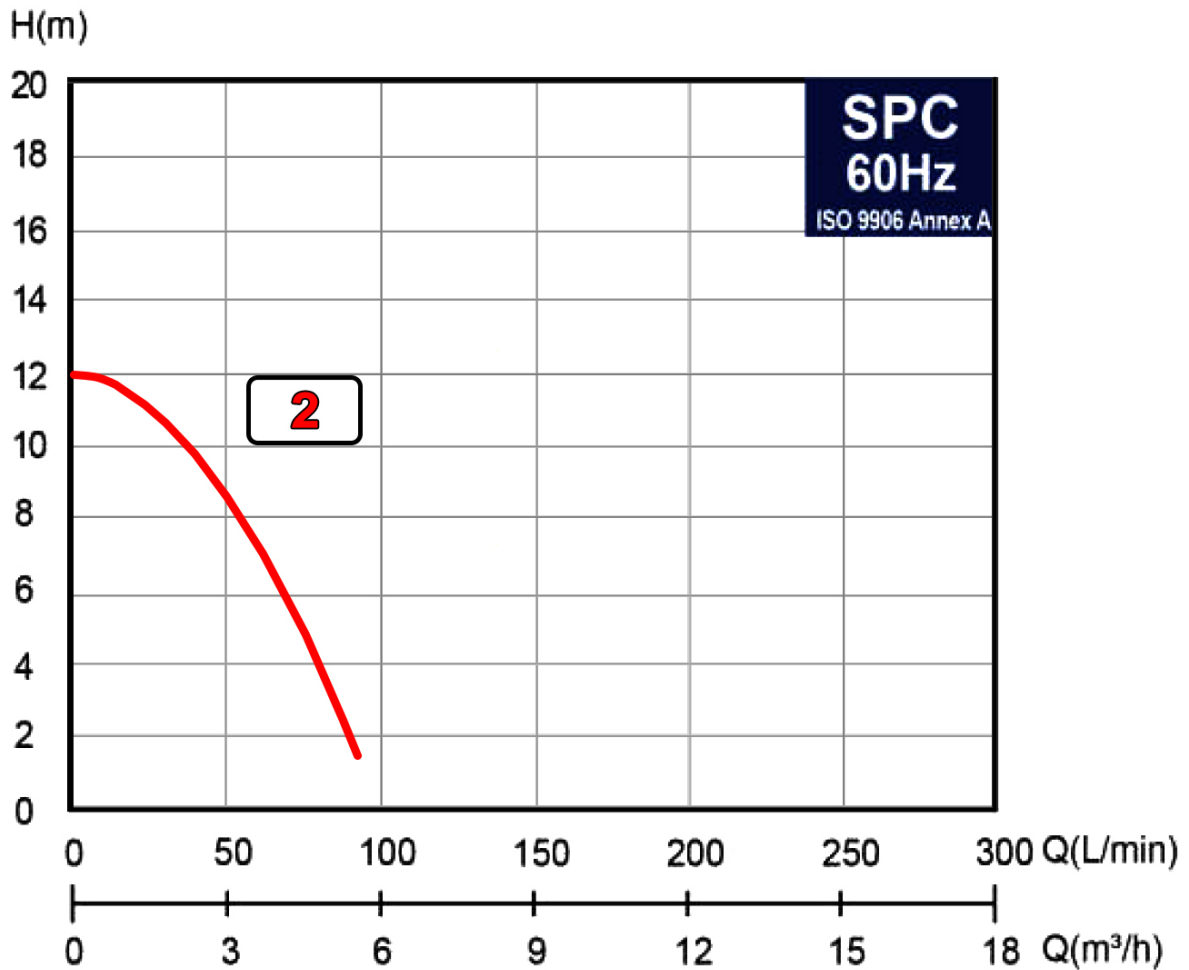
Receiver

From

Company name  
 Respons. Department  
 Person in charge  
 Phone number  
 Fax no  
 E-mail address



Model	Capacity			Head		Speed	Motor	Voltage	Phase	Amps
	m <sup>3</sup> /h	l/m	gpm	m	ft	r/min	hp	v		
SPC 2-25	5.5	90	23.8	12	39.4	3500	0.4	230	3	0.9



Project	Project ID	Created by	Created on	Last update
---------	------------	------------	------------	-------------



# Parts and Materials

## Immersible Coolant Pump - SPC 2-25

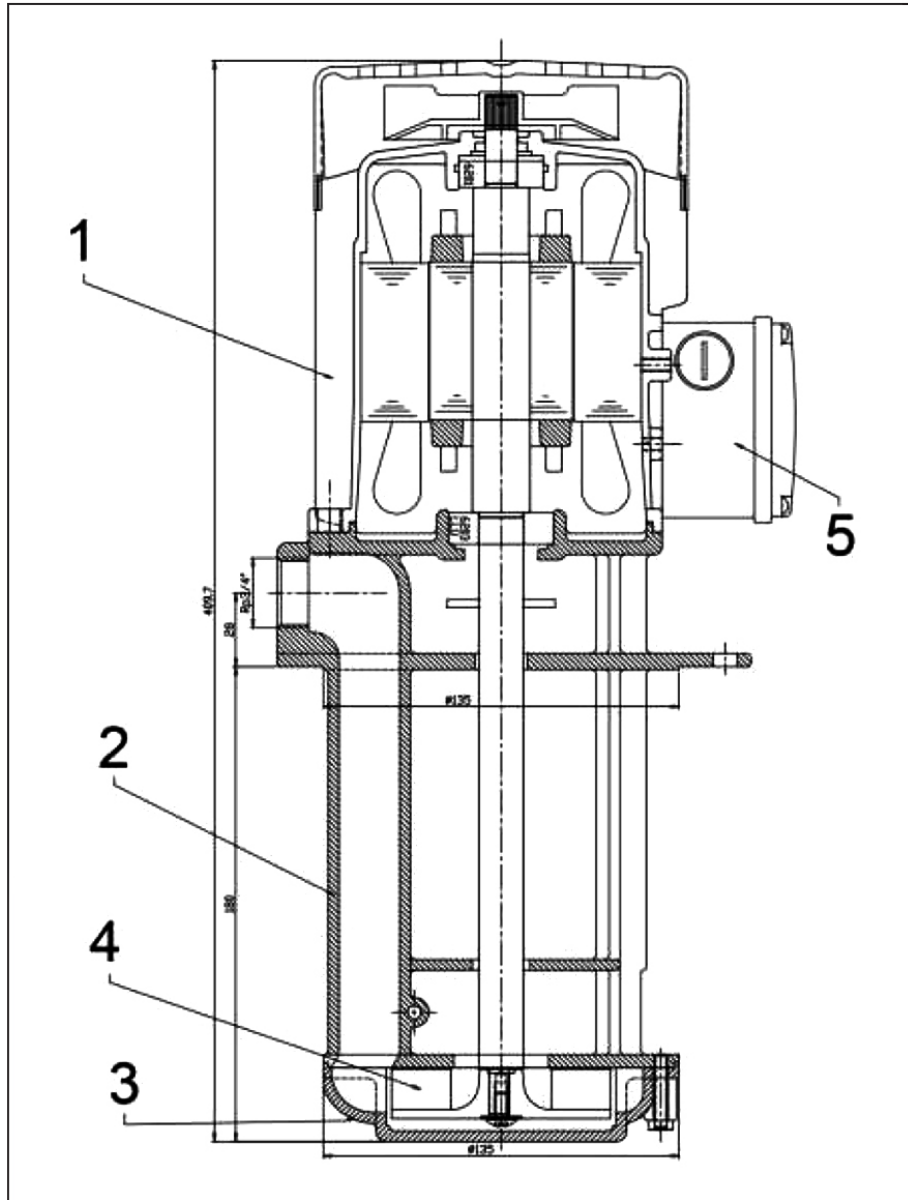
Revision no.

Page:  
3

Receiver

From

Company name  
Respons. Department  
Person in charge  
Phone number  
Fax no  
E-mail address

No	Component	Material
1	Motor	ADC 12
2	Pump	FC 20
3	Pump Cover	FC 20
4	Impeller	Nylon
5	Wiring Box	ABS

Project

Project ID

Created by

Created on

Last update



# Installation

## Immersible Coolant Pump - SPC 2-25

Revision no.

Page:

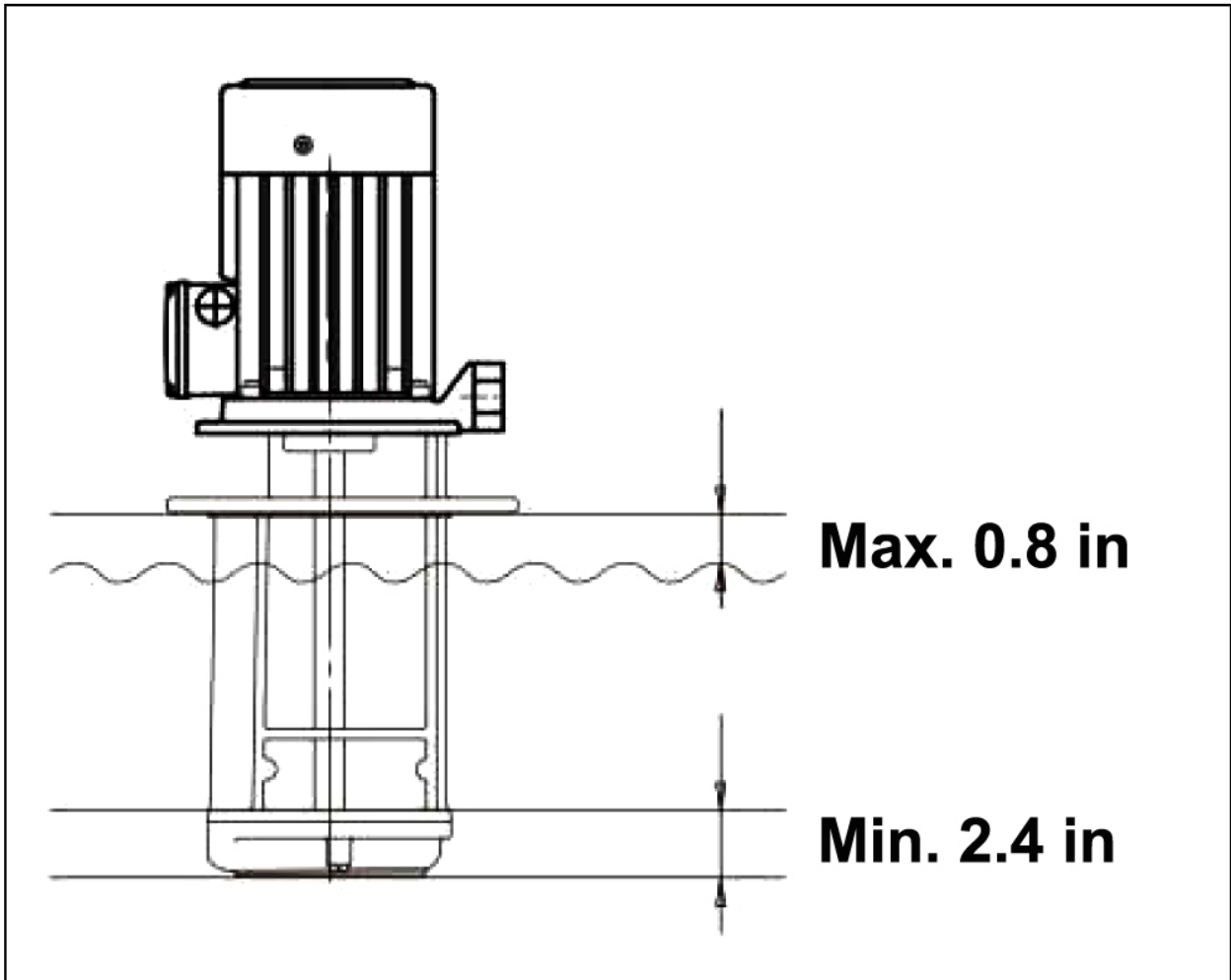
4

Receiver

From

Company name  
Respons. Department  
Person in charge  
Phone number  
Fax no  
E-mail address





Project

Project ID

Created by

Created on

Last update