



Technical Data

Immersible Coolant Pump - SPC 4-25

Revision no.

 Page:
1

Receiver

From

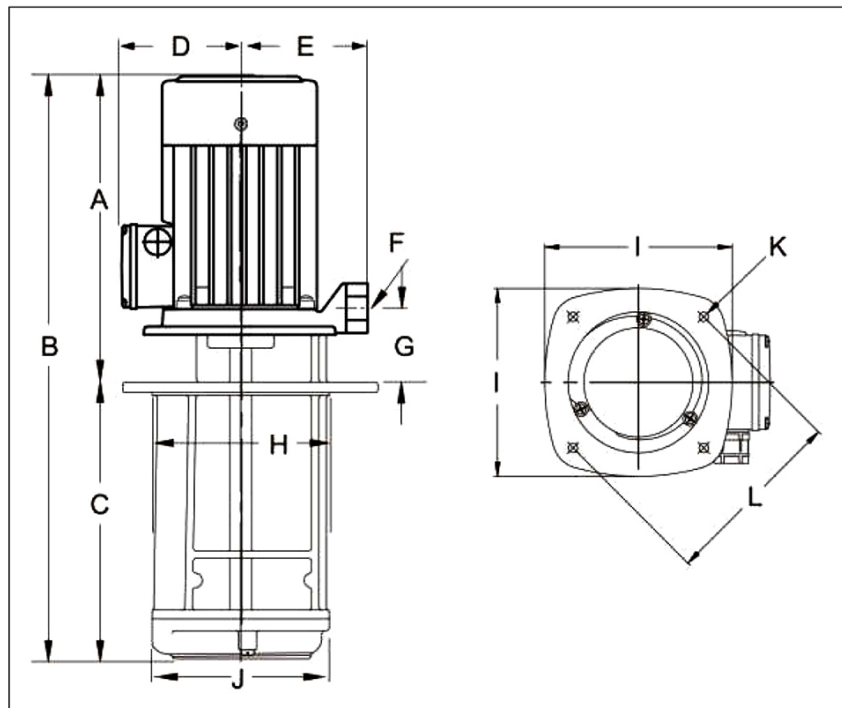
 Company name
 Respons. Department
 Person in charge
 Phone number
 Fax no
 E-mail address



Brand: Gol Pumps
Model: SPC 4-25

Frequency	60 Hz
Enclosure Class	IP54
Insulation Class	F
Liquid Temp. Range	+32 °F ~ +194 °F
Max. Ambient Temp.	+104 °F
Max. Operating Pressure	142 PSI
Liquid Viscosity	1 ~ 32 cSt

Dimensions:



Pump Installation Size (inch)													Weight
Outlet	A	B	C	D	E	F	G	H	I	J	K	L	lb
RP 3/4	8.9	18.7	9.8	4.5	3.9	RP 3/4	1	4.7	6.7	5.3	4-Ø0.3	PCD 6.7	26.4

Project

Project ID

Created by

Created on

Last update

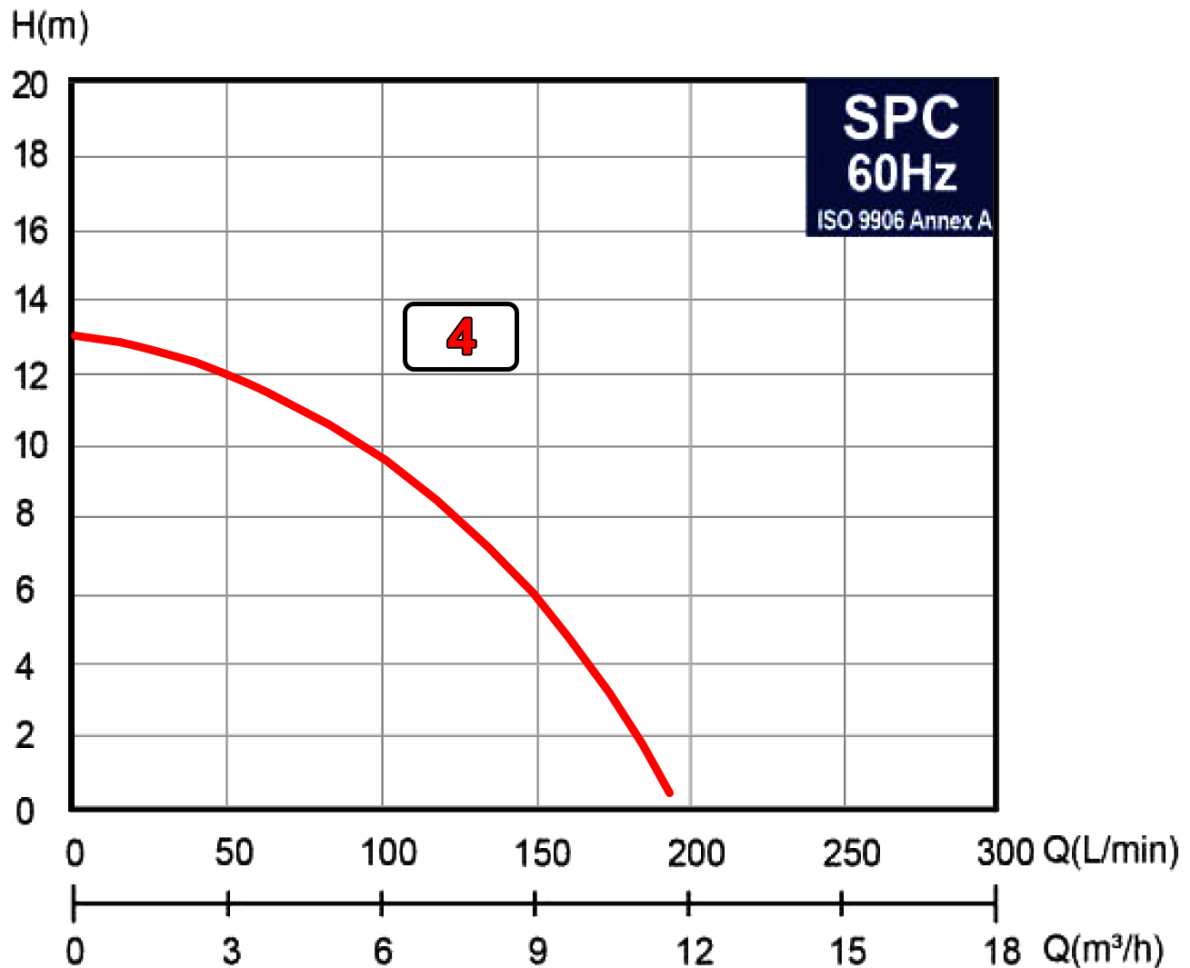


Performance Curve Immersible Coolant Pump - SPC 4-25

Revision no. _____
Page: 2

	Receiver	From
Company name		
Respons. Department		
Person in charge		
Phone number		
Fax no		
E-mail address		

Model	Capacity			Head		Speed	Motor	Voltage	Phase	Amps
	m ³ /h	l/m	gpm	m	ft	r/min	hp	v		
SPC 4-25	11.5	190	50.2	13	42.7	3500	0.9	230	3	1.9



Project	Project ID	Created by	Created on	Last update
---------	------------	------------	------------	-------------

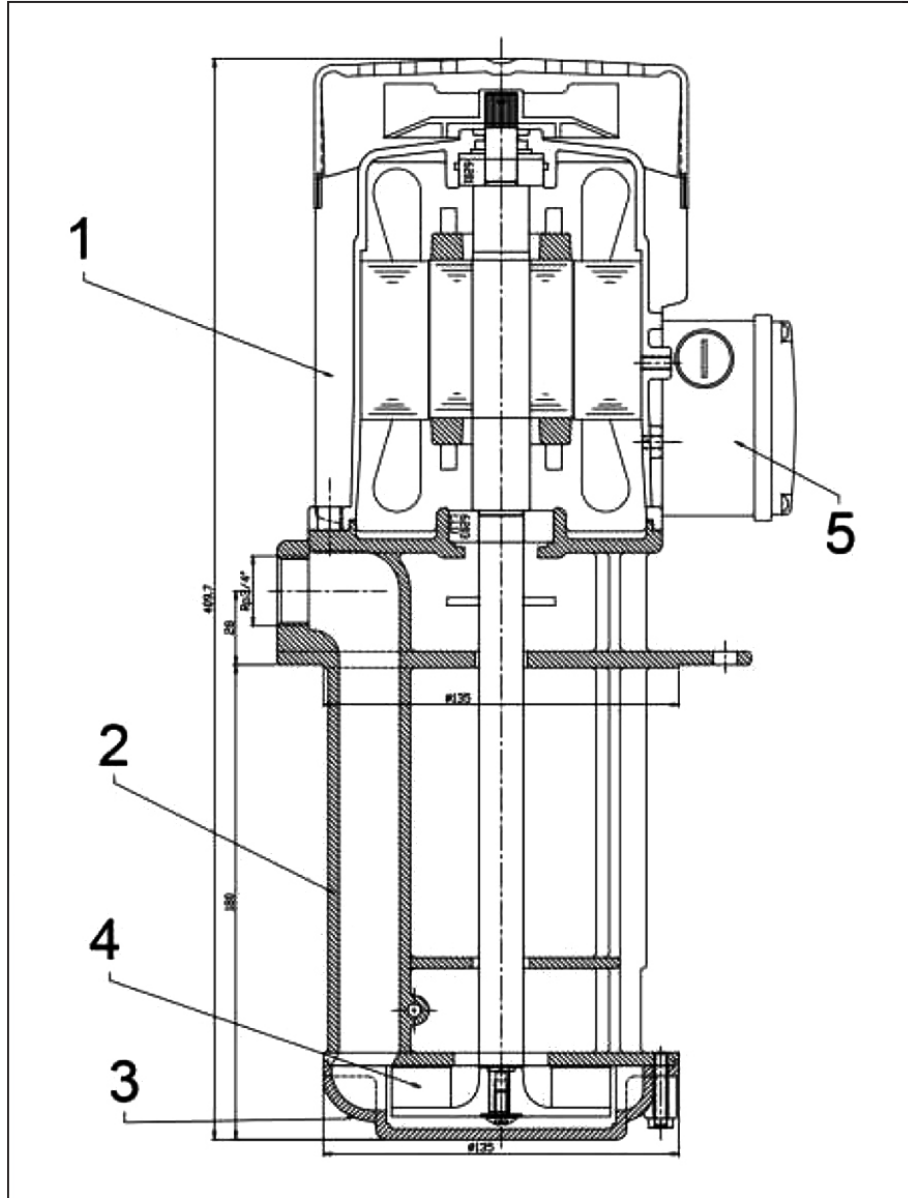


Parts and Materials

Immersible Coolant Pump - SPC 4-25

Revision no. _____
Page: 3

	Receiver	From
Company name		
Respons. Department		
Person in charge		
Phone number		
Fax no		
E-mail address		



No	Component	Material
1	Motor	ADC 12
2	Pump	FC 20
3	Pump Cover	FC 20
4	Impeller	Nylon
5	Wiring Box	ABS

Project	Project ID	Created by	Created on	Last update
---------	------------	------------	------------	-------------



Installation

Immersible Coolant Pump - SPC 4-25

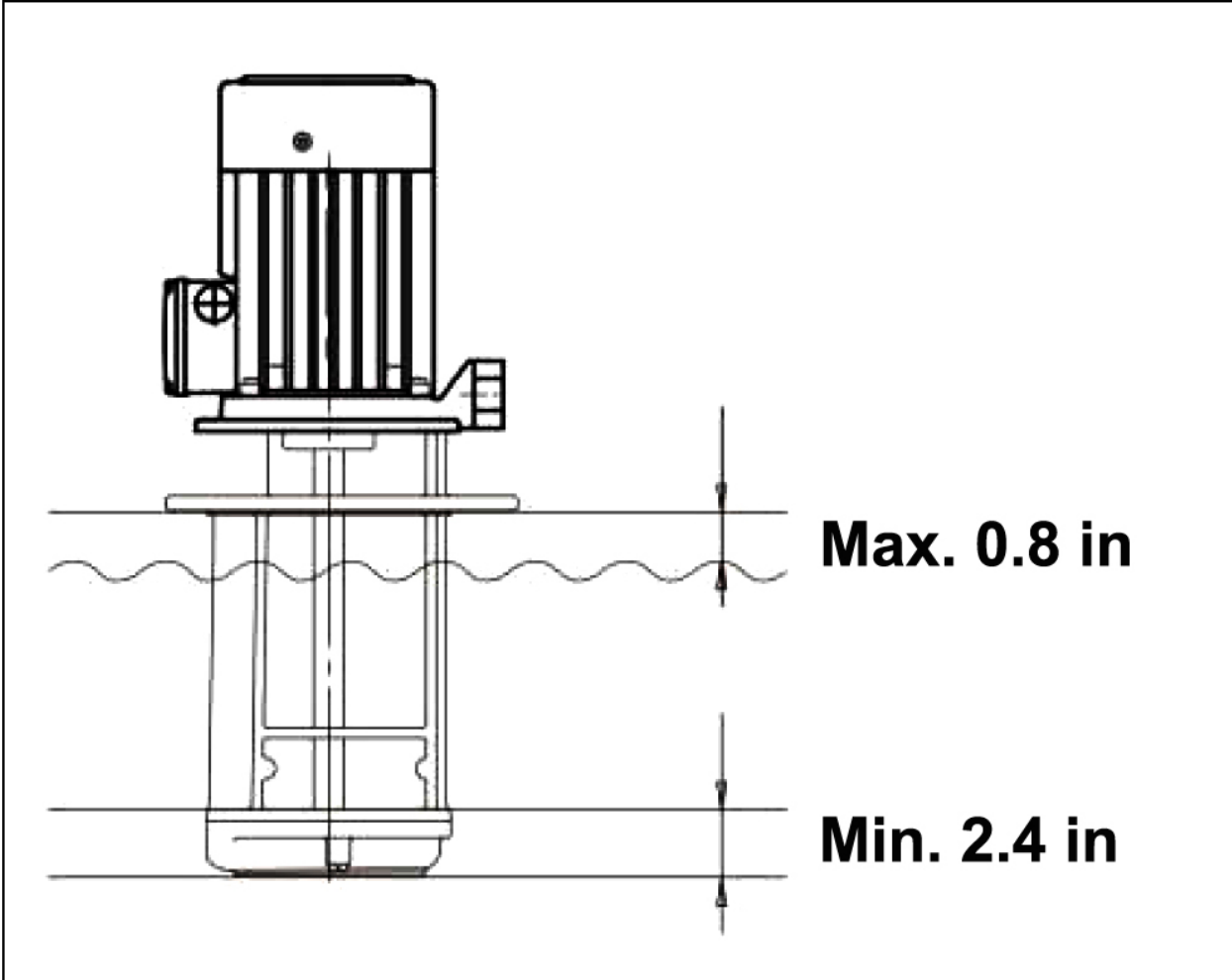
Revision no.

Page:
4

Receiver

From

Company name
Respons. Department
Person in charge
Phone number
Fax no
E-mail address



Project

Project ID

Created by

Created on

Last update