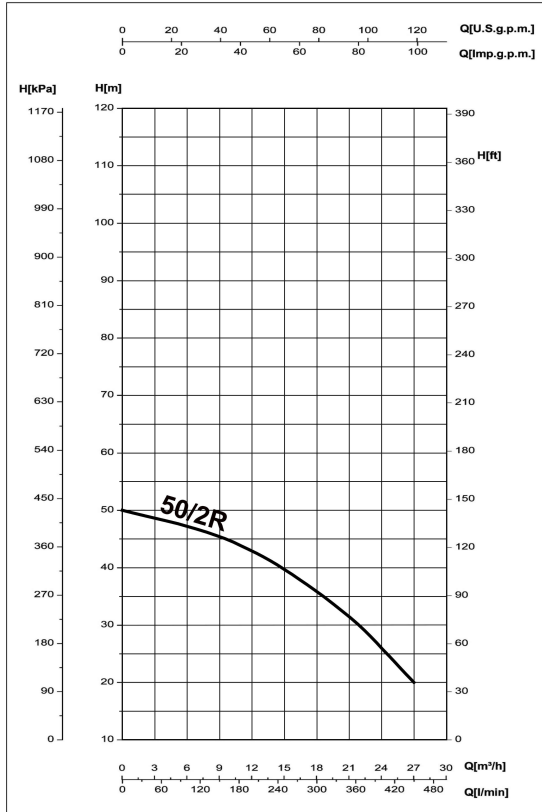


Receiver

From

 Company name
 Respons. Department
 Person in charge
 Phone number
 Fax no
 E-mail address

	-


Operating data specification

Nominal flow	US g.p.m.	0
Nominal head	ft	0
Static head	ft	0
NPSH - v value of plant	ft	0
Inlet pressure	psi	1.42
Fluid		Water, pure
Operating temperature t A	°F	68
Density at t A	lb/ft³	62.32
Kin. viscosity at t A	ft²/s	1.082E-5

Pump

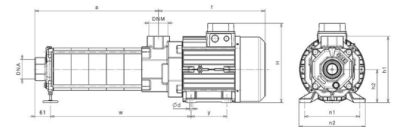
Pump name	6OP50/2R			
Size				
Design				
Speed	rpm	3600	No of stages	2
Impeller type				
Flow	Nominal	US g.p.m.		
	Max-	US g.p.m.	119	
	Min-	US g.p.m.	35.2	
Head	Nominal	ft		
	Max-	ft	151	
	Min-	ft	65.4	
Head H(Q=0)	ft	164		
NPSH 3%	ft			
Max. working pressure	psi	71		
Shaft power	hp			
Efficiency	%			
Max absorbed power	hp	0		

Materials Pump

Shaft	Stainless steel AISI 431 (1.4057)
Impeller	Cast iron EN-GJL-250
Diffuser	Cast iron EN-GJL-250
Gasket	Natural fiber
Suction	Cast iron EN-GJL-250
Delivery	Cast iron EN-GJL-250
Mechanical seal	Stahl

Dimensions in inch

a 9¹/₄
 DNA G2"
 DNM G2"
 f 12³/₈
 H 8¹/₄
 h1 8¹/₈
 h2 3⁹/₁₆
 n1 5¹/₂
 n2 6⁷/₈
 Ød 3³/₈
 w 9⁵/₈
 y 4¹⁵/₁₆



Motor	Frame size	90		
Manufacturer / Type	SAER	MEC90-2P-3		
Rated power	hp	4.0231	Efficiency 4/4	83.5 %
Electric current	A	6.3 A	Speed	rpm 3600
Electric voltage	V	440V	3~	Hz 60
Starting mode	Unknown			
Degree of protection	IP 55	Insulation class	F	

Remarks:

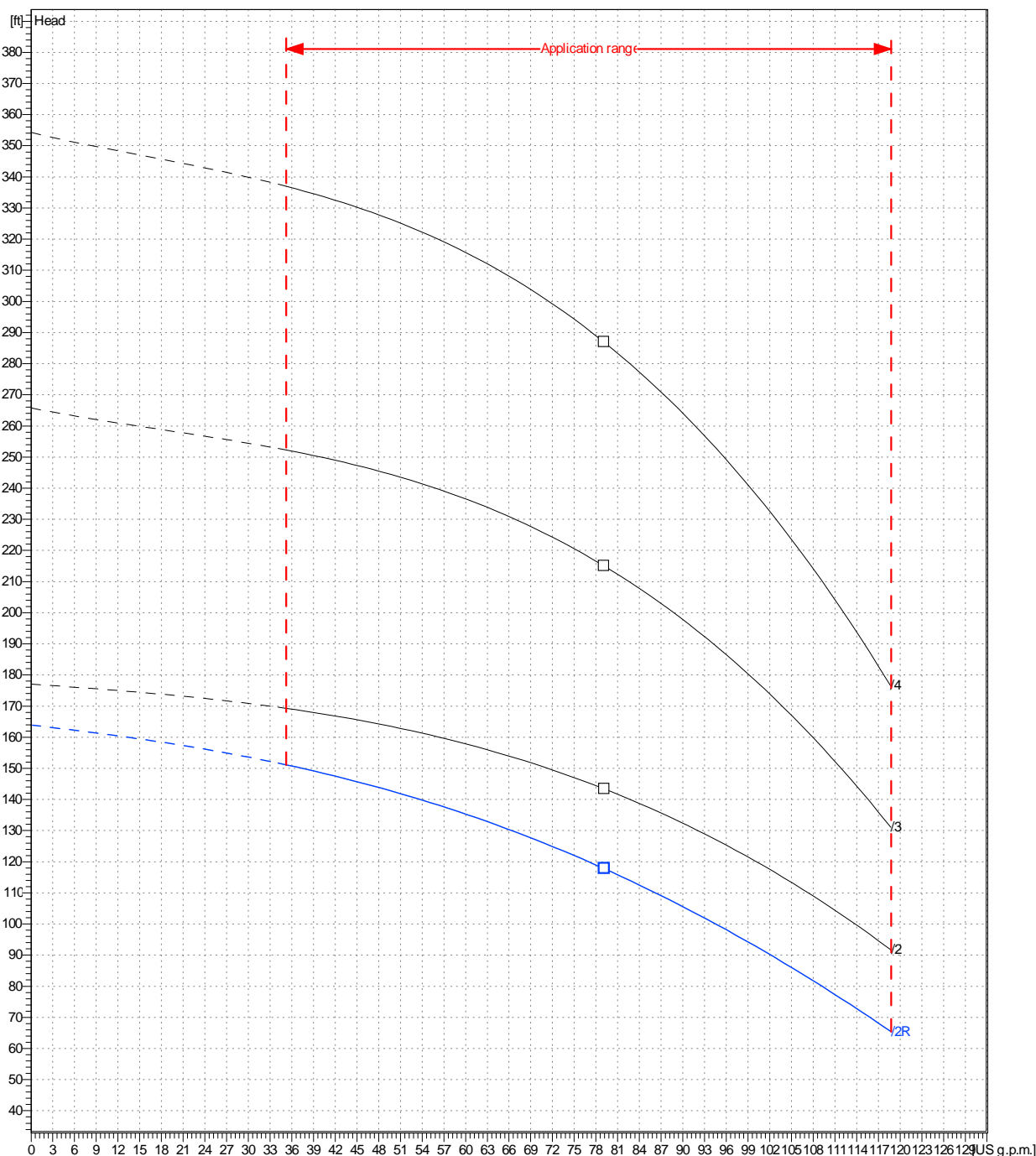
Project	Project ID	Created by	Created on	Last update
			2022-07-13	

Receiver	From
Company name	
Respons. Department	
Person in charge	
Phone number	
Fax no	
E-mail address	

Operating area	Flow	Head	Impeller type
Operating data specification	0 US g.p.m.	0 ft	Impeller construction
Pump data	US g.p.m.	ft	Sense of rotation
			Clockwise from the drive end
			Outlet width
			G2"
	Flow	Head	Shaft power P2
	Min. Max. η Max.	H(Q=0) η Max.	P2(Q=0) Max. η Max.
	US g.p.m. US g.p.m. US g.p.m.	ft ft	hp hp hp
	35.2 119 79.2	164 118	0
			Speed rpm 3600
			Frequency Hz 60 Hz

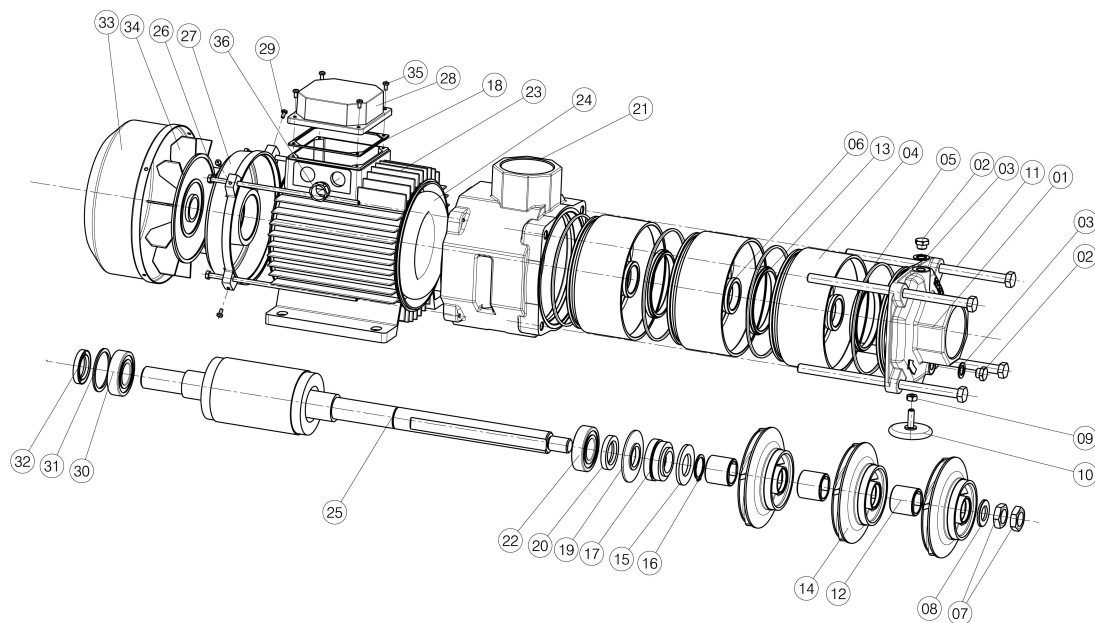
Performance data based to: Water, pure [100%]; 68°F; 62.3lb/ft³; 1.08E-5ft²/s

UNI EN ISO 9906:2012 - Grade 3B



Project	Project ID	Created by	Created on	Last update
			2022-07-13	

Company name
Respons. Department
Person in charge
Phone number
Fax no
E-mail address



Project

Project ID

Created by

Created on
2022-07-13

Last update