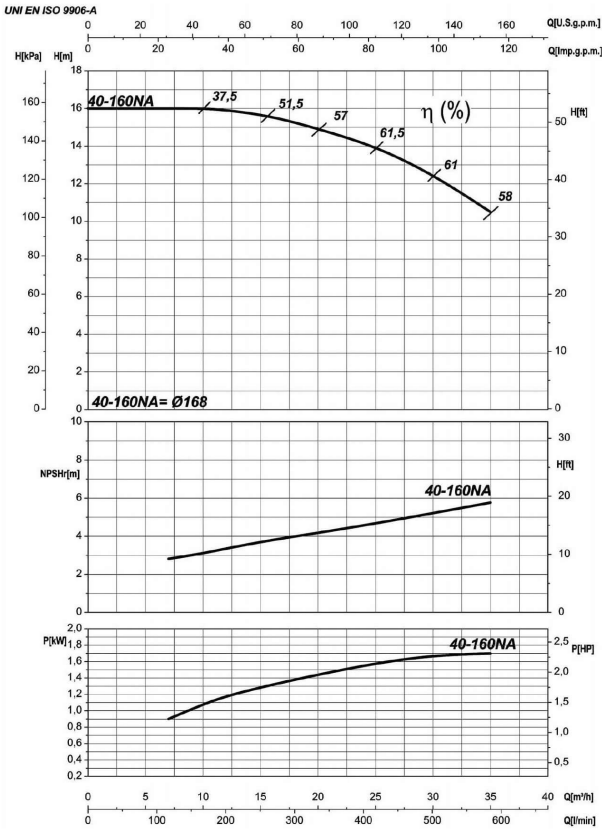


Company name  
 Respons. Department  
 Person in charge  
 Phone number  
 Fax no  
 E-mail address

Receiver	From



### Operating data specification

Nominal flow	US g.p.m. 0
Nominal head	ft 0
Static head	ft 0
NPSH - v value of plant	ft 0
Inlet pressure	psi 1.42
Fluid	Water, pure
Operating temperature t A	°F 68
Density at t A	lb/ft³ 62.32
Kin. viscosity at t A	ft²/s 1.082E-5

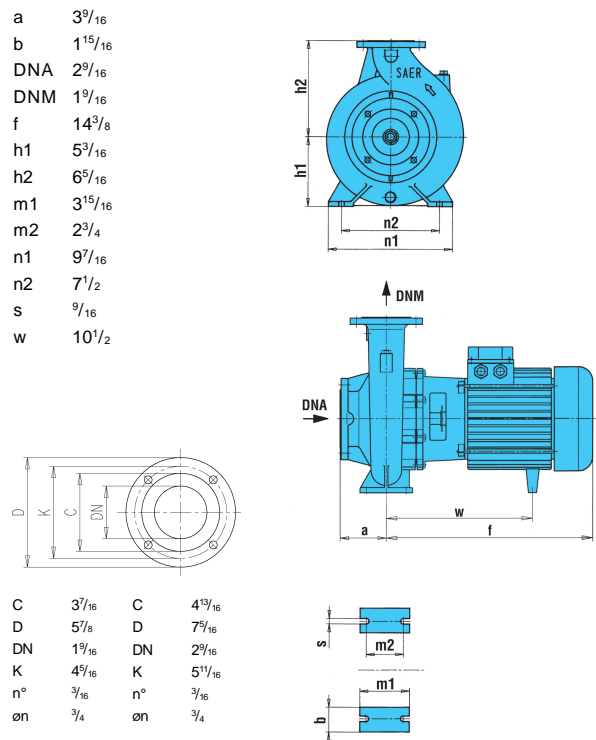
Pump		6IR4P 40-160NA	
Pump name	6IR4P 40-160NA		
Size	65/40/160		
Design			
Speed rpm	1800	No of stages	1
Impeller type			
Flow	Nominal	US g.p.m.	
	Max-	US g.p.m.	154
	Min-	US g.p.m.	30.8
Head	Nominal	ft	
	Max-	ft	52.6
	Min-	ft	34.6
Head H(Q=0)	ft		52.4
NPSH 3%	ft		
Max. working pressure	psi		22.7
Shaft power	hp		
Efficiency	%		
Max absorbed power	hp		2.2725

### Materials Pump

Shaft	Stainless steel AISI 431 (1.4057)		
Impeller	Cast iron EN-GJL-250		
Pump body	Cast iron EN-GJL-250		
Seal disc	Cast iron EN-GJL-250		
Gasket	Natural fiber		
Mechanical seal	BVEG (Grafito/Ossido Allumina/EPDM)		

<b>Motor</b>	Frame size	90 L		
Manufacturer / Type	SAER	MEC90L-4P-1.5		
Rated power	hp	2.0115	Efficiency 4/4	81 %
Electric current	A	21/10.5 A	Speed rpm	1800
Electric voltage	V	115/230V	1~	Hz 60
Starting mode	Unknown			
Degree of protection	IP 55	Insulation class	F	

### Dimensions in inch



Remarks:				
Project	Project ID	Created by	Created on	Last update
			2022-08-01	

Receiver

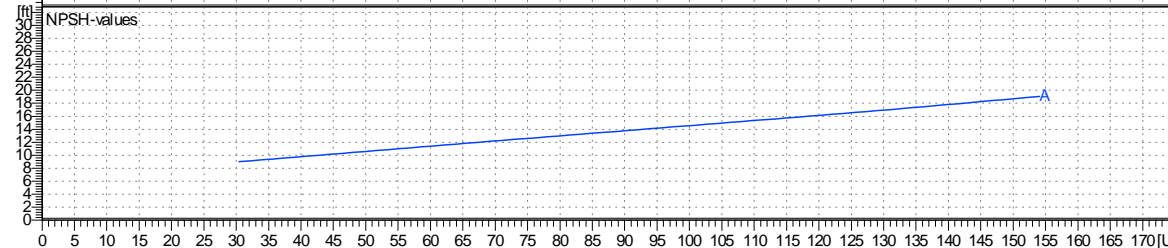
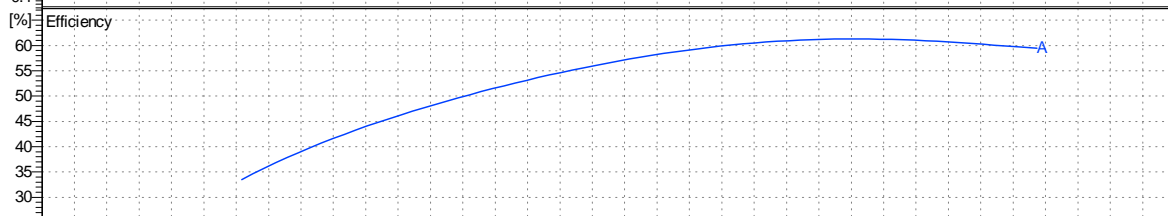
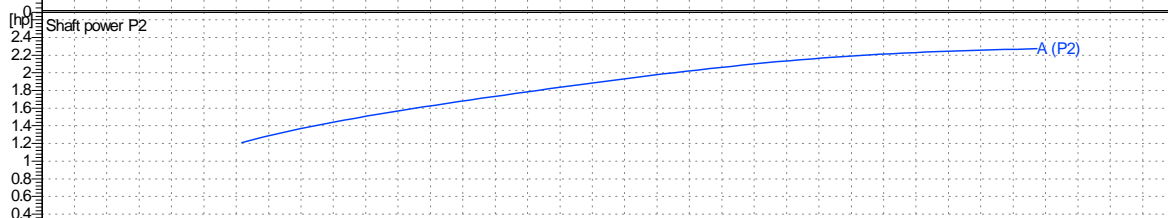
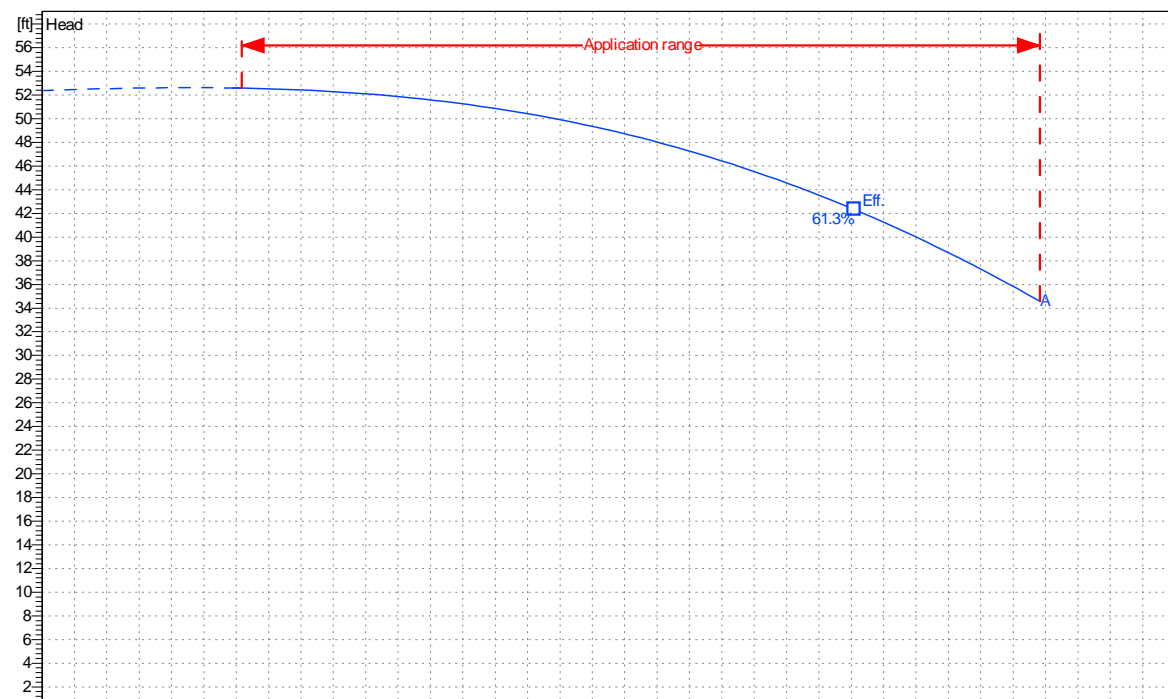
From

 Company name  
 Respons. Department  
 Person in charge  
 Phone number  
 Fax no  
 E-mail address

Operating area	Flow	Head	Impeller type
Operating data specification	0 US g.p.m.	0 ft	Closed
Pump data	US g.p.m.		Sense of rotation
	ft		Clockwise from the drive end
	US g.p.m.		Outlet width
	ft		DN 40
	Shaft power P2		Speed
			rpm 1800
			Frequency
			Hz 60 Hz
	Min.	Max.	
	US g.p.m.	US g.p.m.	
	30.8	154	
	Max. $\eta$	H(Q=0)	
	125	ft	
	52.4	ft	
	Max. $\eta$	P2(Q=0)	
	42.3	hp	
		Max. hp	
		2.27	
		Max. $\eta$	
		2.19	

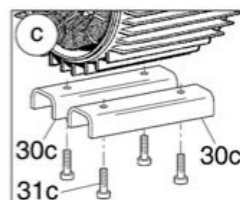
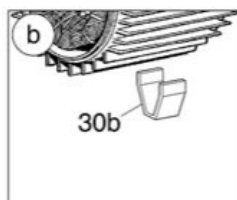
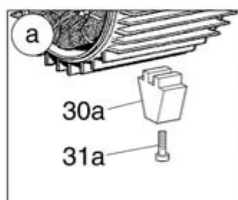
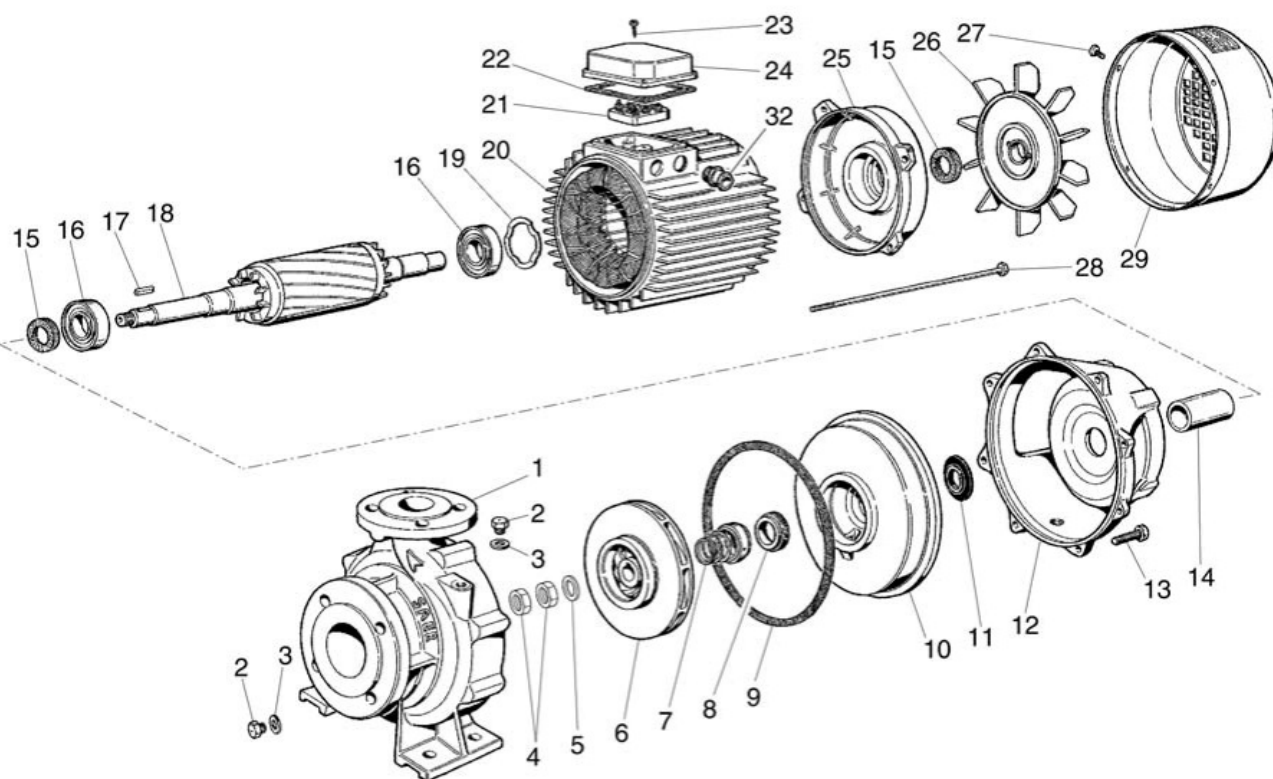
 Performance data based to: Water, pure [100%]; 68°F; 62.3lb/ft<sup>3</sup>; 1.08E-5ft<sup>2</sup>/s

UNI EN ISO 9906:2012 - Grade 3B



Project	Project ID	Created by	Created on	Last update
			<b>2022-08-01</b>	

Company name  
Respons. Department  
Person in charge  
Phone number  
Fax no  
E-mail address



Project

Project ID

Created by

Created on  
**2022-08-01**

Last update