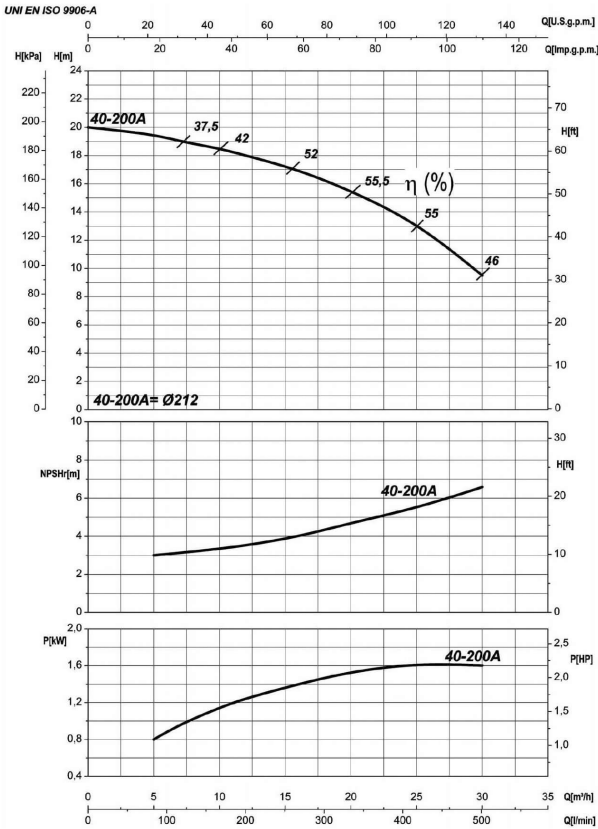


Company name
 Respons. Department
 Person in charge
 Phone number
 Fax no
 E-mail address

Receiver	From



Operating data specification

Nominal flow	US g.p.m. 0
Nominal head	ft 0
Static head	ft 0
NPSH - v value of plant	ft 0
Inlet pressure	psi 1.42
Fluid	Water, pure
Operating temperature t A	°F 68
Density at t A	lb/ft³ 62.32
Kin. viscosity at t A	ft²/s 1.082E-5

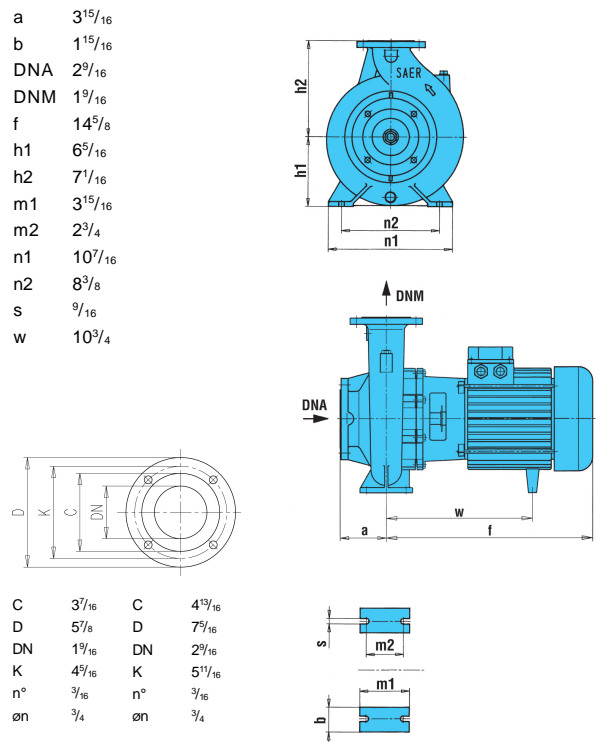
Pump		6IR4P 40-200A	
Pump name	6IR4P 40-200A		
Size	65/40/200		
Design			
Speed rpm	1800	No of stages	1
Impeller type			
Flow	Nominal	US g.p.m.	
	Max-	US g.p.m. 132	
	Min-	US g.p.m. 22	
Head	Nominal	ft	
	Max-	ft 63.6	
	Min-	ft 31.6	
Head H(Q=0)	ft 65.6		
NPSH 3%	ft		
Max. working pressure	psi 28.4		
Shaft power	hp		
Efficiency	%		
Max absorbed power	hp 2.1491		

Materials Pump

Shaft	Stainless steel AISI 431 (1.4057)		
Impeller	Cast iron EN-GJL-250		
Pump body	Cast iron EN-GJL-250		
Seal disc	Cast iron EN-GJL-250		
Gasket	Natural fiber		
Mechanical seal	BVEG (Grafito/Ossido Allumina/EPDM)		

Motor		Frame size	90 L	
Manufacturer / Type		SAER	MEC90L-4P-1.5	
Rated power	hp	2.0115	Efficiency 4/4	81 %
Electric current	A	7.4 A	Speed	rpm 1800
Electric voltage	V	230V	3~	Hz 60
Starting mode	Unknown			
Degree of protection	IP 55		Insulation class	F

Dimensions in inch



Remarks:					
Project	Project ID	Created by	Created on	Last update	
			2022-08-01		

Receiver

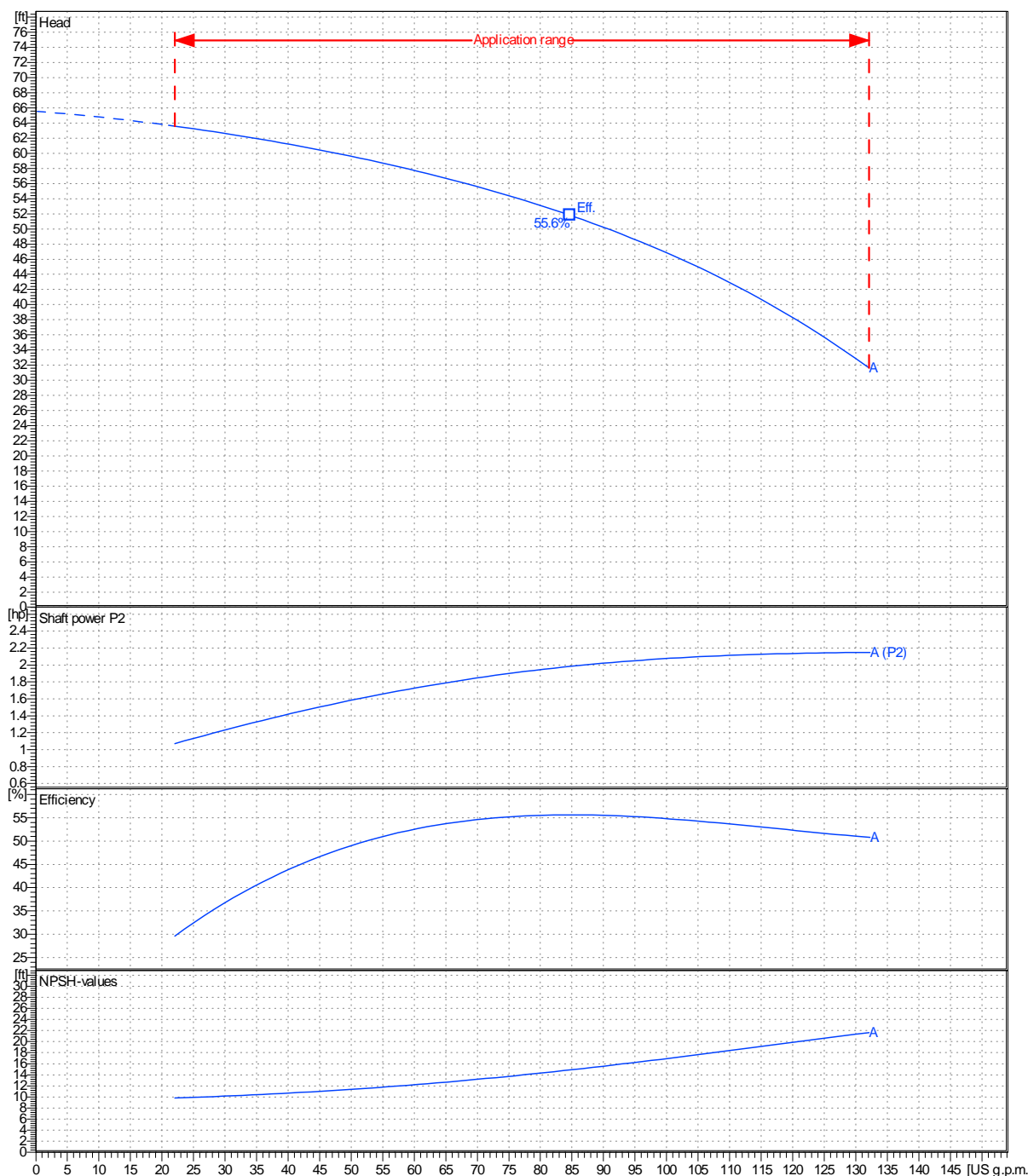
From

 Company name
 Respons. Department
 Person in charge
 Phone number
 Fax no
 E-mail address

Operating area	Flow	Head	Impeller type
Operating data specification	0 US g.p.m.	0 ft	Impeller construction Closed
Pump data	US g.p.m.		Sense of rotation Clockwise from the drive end
	ft		Outlet width DN 40
	Flow		Speed
	Min.	Max.	rpm
	US g.p.m.	US g.p.m.	Hz
	22	132	1800
	Head		Frequency
	H(Q=0)	η Max.	
	ft	ft	60 Hz
	Shaft power P2		
	P2(Q=0)	Max.	η Max.
	hp	hp	hp
		2.15	1.98

 Performance data based to: Water, pure [100%]; 68°F; 62.3lb/ft³; 1.08E-5ft²/s

UNI EN ISO 9906:2012 - Grade 3B



Project

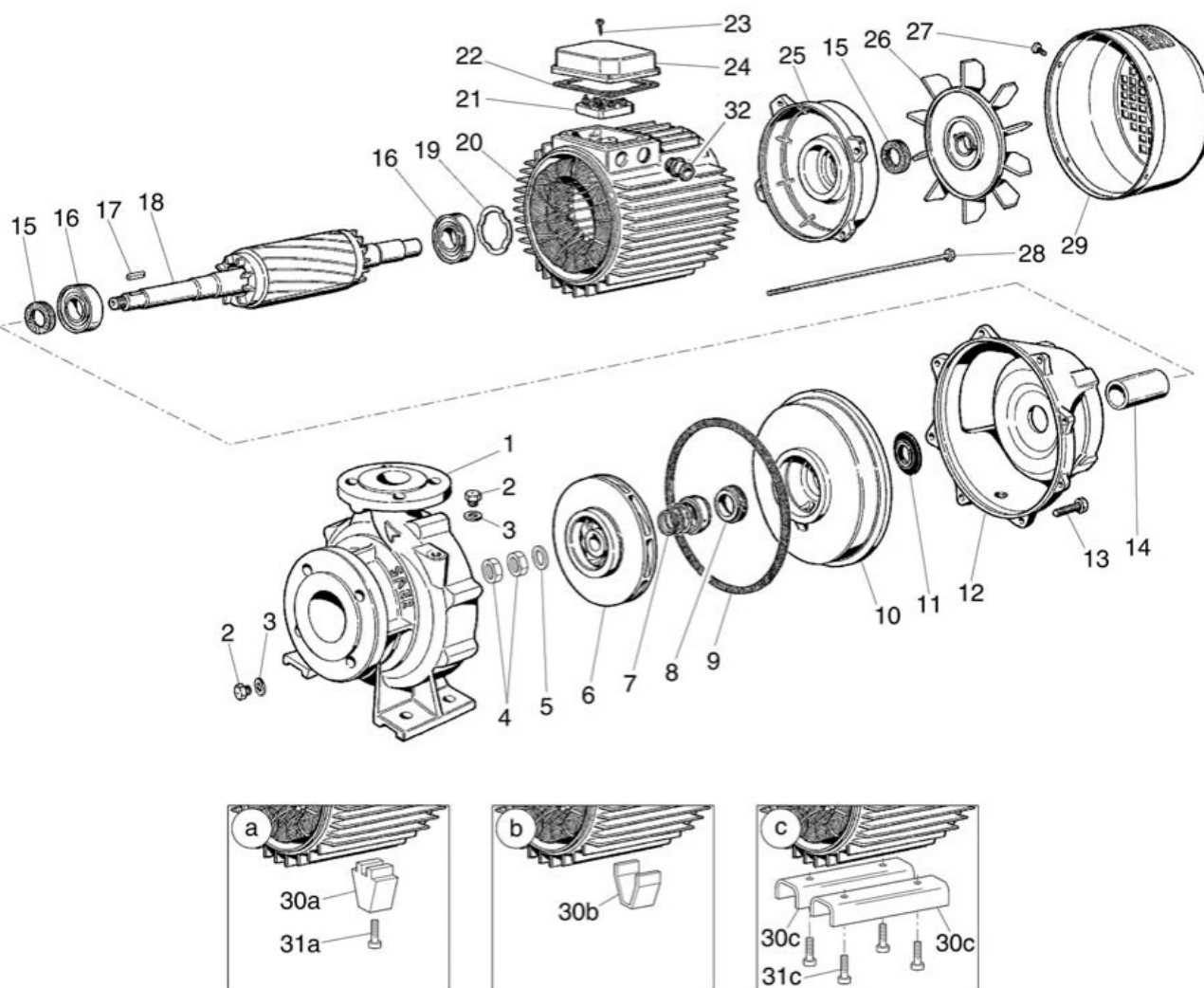
Project ID

Created by

 Created on
2022-08-01

Last update

Company name
Respons. Department
Person in charge
Phone number
Fax no
E-mail address



Project

Project ID

Created by

Created on
2022-08-01

Last update