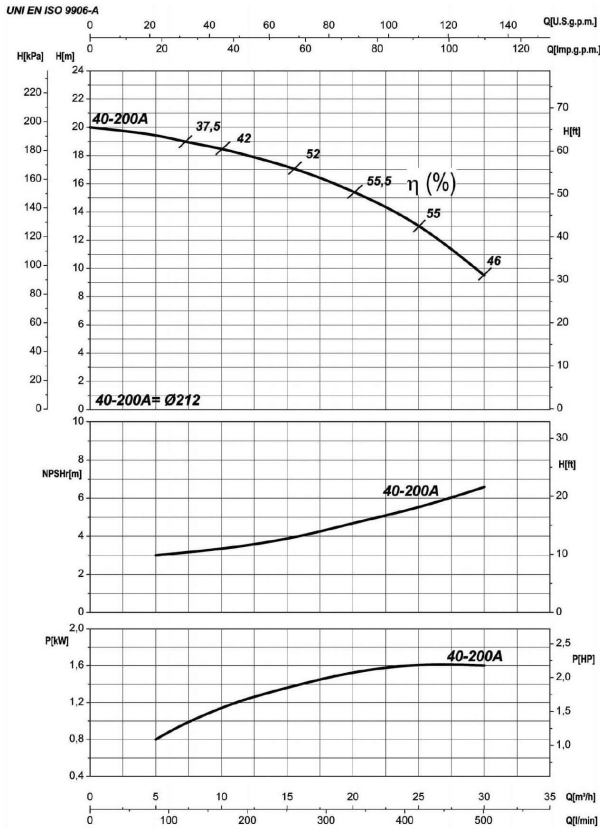


Company name
 Respons. Department
 Person in charge
 Phone number
 Fax no
 E-mail address

Receiver

From



Operating data specification

Nominal flow	US g.p.m. 0
Nominal head	ft 0
Static head	ft 0
NPSH - v value of plant	ft 0
Inlet pressure	psi 1.42
Fluid	Water, pure
Operating temperature t A	°F 68
Density at t A	lb/ft³ 62.32
Kin. viscosity at t A	ft²/s 1.082E-5

Pump		
Pump name	6IR4P 40-200A	
Size	65/40/200	
Design		
Speed rpm	1800	
No of stages	1	
Impeller type		
Flow	Nominal	US g.p.m.
	Max-	US g.p.m. 132
	Min-	US g.p.m. 22
Head	Nominal	ft
	Max-	ft 63.6
	Min-	ft 31.6
Head H(Q=0)	ft 65.6	
NPSH 3%	ft	
Max. working pressure	psi 28.4	
Shaft power	hp	
Efficiency	%	
Max absorbed power	hp 2.1491	

Materials Pump

Shaft	Stainless steel AISI 431 (1.4057)		
Impeller	Cast iron EN-GJL-250		
Pump body	Cast iron EN-GJL-250		
Seal disc	Cast iron EN-GJL-250		
Gasket	Natural fiber		
Mechanical seal	BVEG (Grafite/Ossido Allumina/EPDM)		

Dimensions in inch

a	3 ¹⁵ / ₁₆
b	1 ¹⁵ / ₁₆
DNA	2 ⁹ / ₁₆
DNM	1 ⁹ / ₁₆
f	14 ⁵ / ₈
h1	6 ⁵ / ₁₆
h2	7 ¹ / ₁₆
m1	3 ¹⁵ / ₁₆
m2	2 ³ / ₄
n1	10 ⁷ / ₁₆
n2	8 ³ / ₈
s	9 ¹ / ₁₆
w	10 ³ / ₄

C	3 ⁷ / ₁₆	C	4 ¹³ / ₁₆
D	5 ⁷ / ₈	D	7 ⁷ / ₁₆
DN	1 ⁹ / ₁₆	DN	2 ⁹ / ₁₆
K	4 ⁵ / ₁₆	K	5 ¹ / ₁₆
n°	3 ⁷ / ₁₆	n°	3 ⁷ / ₁₆
ø n	3 ⁷ / ₄	ø n	3 ⁷ / ₄

Motor	Frame size	90 L		
Manufacturer / Type	SAER	MEC90L-4P-1.5		
Rated power	hp	2.0115	Efficiency 4/4	81 %
Electric current	A	21/10.5 A	Speed	rpm 1800
Electric voltage	V	115/230V	1~	Hz 60
Starting mode	Unknown			
Degree of protection	IP 55	Insulation class	F	

Remarks:

Project	Project ID	Created by	Created on	Last update
			2022-08-01	

Receiver

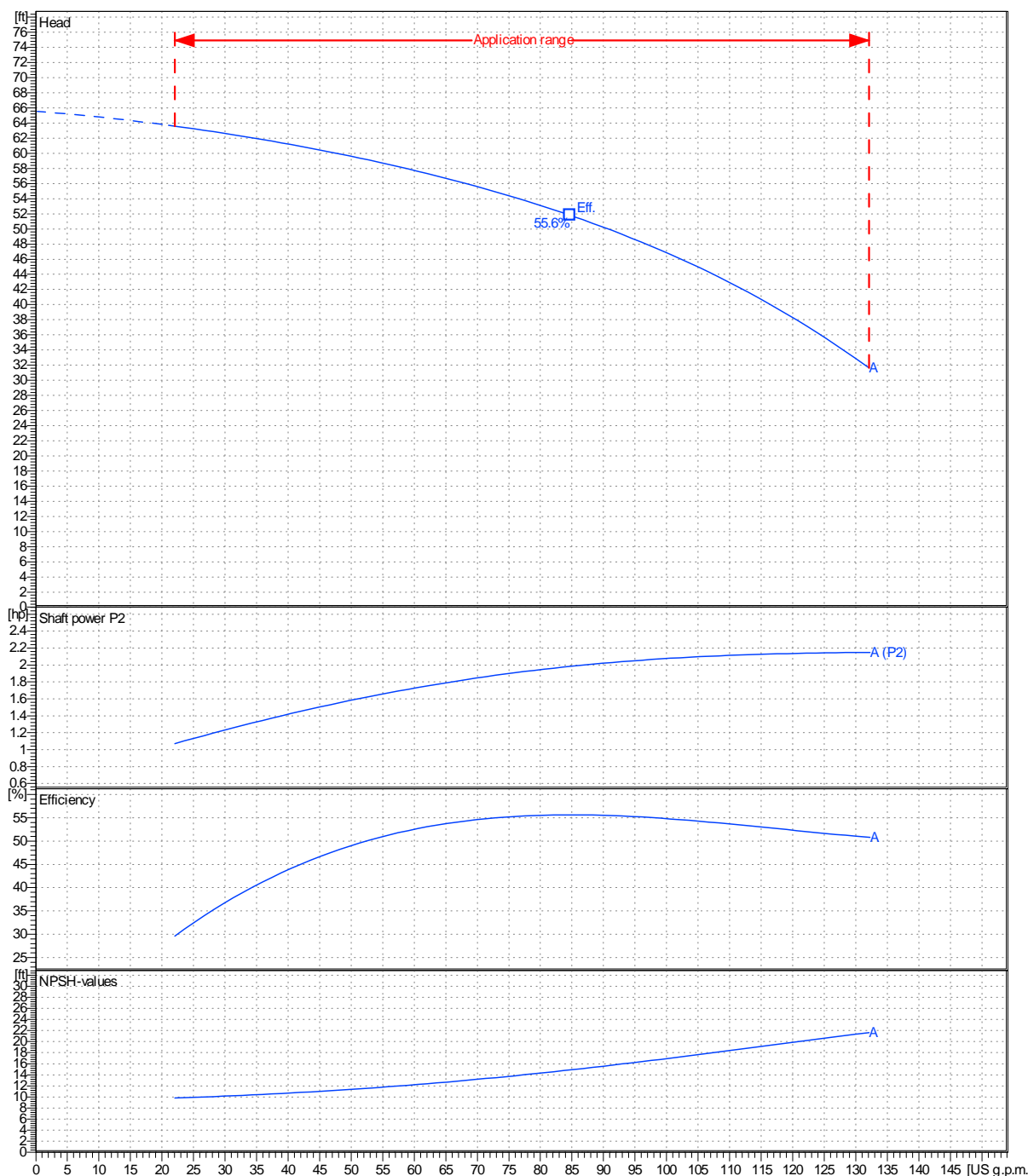
From

 Company name
 Respons. Department
 Person in charge
 Phone number
 Fax no
 E-mail address

Operating area	Flow	Head	Impeller type
Operating data specification	0 US g.p.m.	0 ft	Impeller construction Closed
Pump data	US g.p.m.		Sense of rotation Clockwise from the drive end
	ft		Outlet width DN 40
	Flow		Speed
	Min.	Max.	rpm
	Head		Frequency
	H(Q=0)	η Max.	Hz
		Shaft power P2	
		P2(Q=0)	
		Max.	
		η Max.	

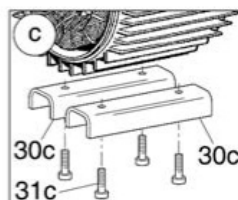
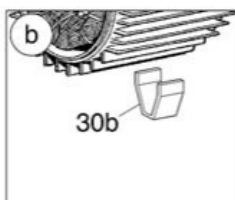
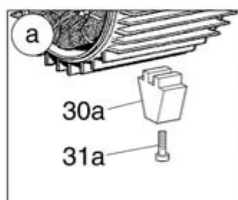
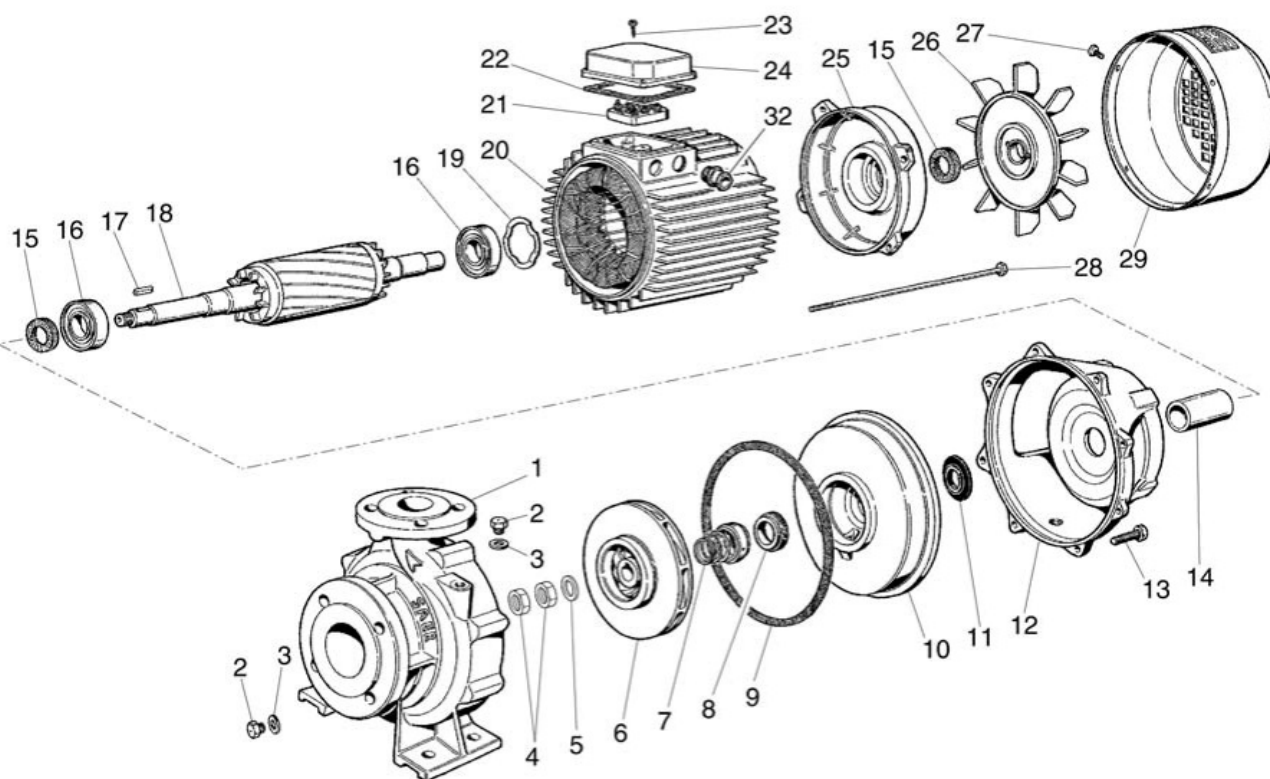
 Performance data based to: Water, pure [100%]; 68°F; 62.3lb/ft³; 1.08E-5ft²/s

UNI EN ISO 9906:2012 - Grade 3B



Project	Project ID	Created by	Created on	Last update
			2022-08-01	

Company name
Respons. Department
Person in charge
Phone number
Fax no
E-mail address



Project

Project ID

Created by

Created on
2022-08-01

Last update