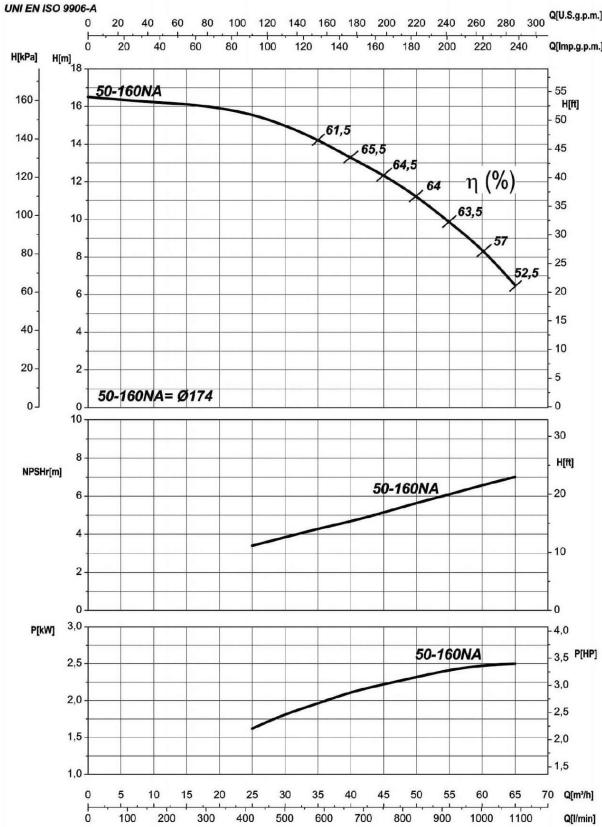


Company name  
 Respons. Department  
 Person in charge  
 Phone number  
 Fax no  
 E-mail address

Receiver	From



### Operating data specification

Nominal flow	US g.p.m. 0
Nominal head	ft 0
Static head	ft 0
NPSH - v value of plant	ft 0
Inlet pressure	psi 1.42
Fluid	Water, pure
Operating temperature t A	°F 68
Density at t A	lb/ft³ 62.32
Kin. viscosity at t A	ft²/s 1.082E-5

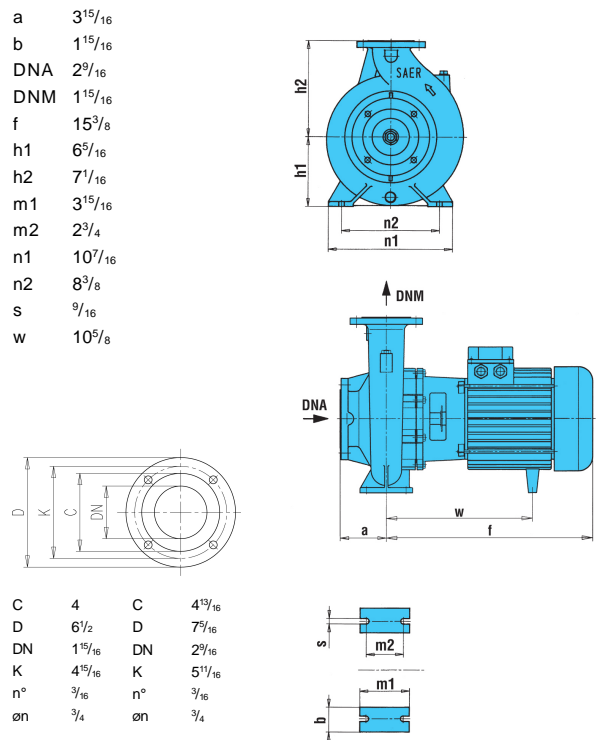
Pump		6IR4P 50-160NA	
Pump name	6IR4P 50-160NA		
Size	65/50/160		
Design			
Speed rpm	1800	No of stages	1
Impeller type			
Flow	Nominal	US g.p.m.	
	Max-	US g.p.m. 286	
	Min-	US g.p.m. 110	
Head	Nominal	ft	
	Max-	ft 50.6	
	Min-	ft 21.7	
Head H(Q=0)	ft 53.9		
NPSH 3%	ft		
Max. working pressure	psi 23.3		
Shaft power	hp		
Efficiency	%		
Max absorbed power	hp 3.335		

### Materials Pump

Shaft	Stainless steel AISI 431 (1.4057)		
Impeller	Cast iron EN-GJL-250		
Pump body	Cast iron EN-GJL-250		
Seal disc	Cast iron EN-GJL-250		
Gasket	Natural fiber		
Mechanical seal	BVEG (Grafito/Ossido Allumina/EPDM)		

<b>Motor</b>	Frame size	100 L		
Manufacturer / Type	SAER	MEC100L-4P-3		
Rated power	hp	4.0231	Efficiency 4/4	84 %
Electric current	A	12 A	Speed rpm	1800
Electric voltage	V	230V	3~	Hz 60
Starting mode	Unknown			
Degree of protection	IP 55	Insulation class	F	

### Dimensions in inch



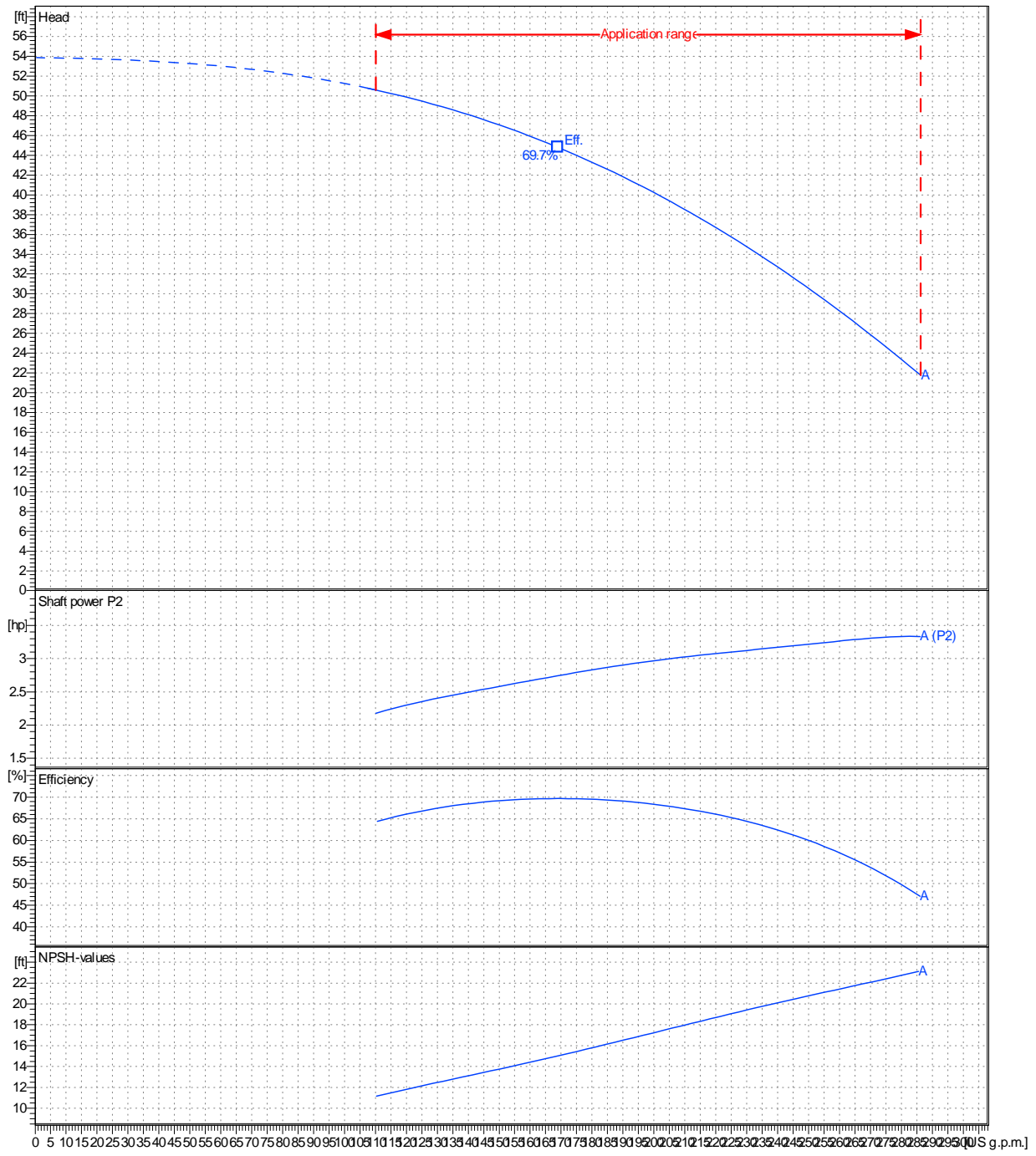
C	4	C	4 <sup>13/16</sup>
D	6 <sup>1/2</sup>	D	7 <sup>5/16</sup>
DN	1 <sup>5/16</sup>	DN	2 <sup>9/16</sup>
K	4 <sup>5/16</sup>	K	5 <sup>1/16</sup>
n°	3/16	n°	3/16
ø n	3/4	ø n	3/4

Remarks:				
Project	Project ID	Created by	Created on	Last update
			8/10/2022	

Company name  
 Respons. Department  
 Person in charge  
 Phone number  
 Fax no  
 E-mail address

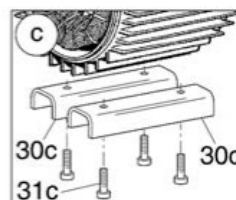
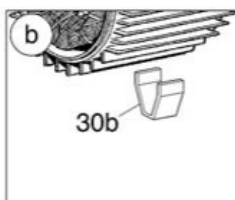
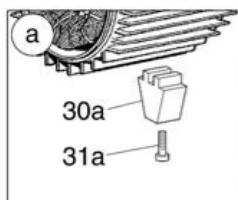
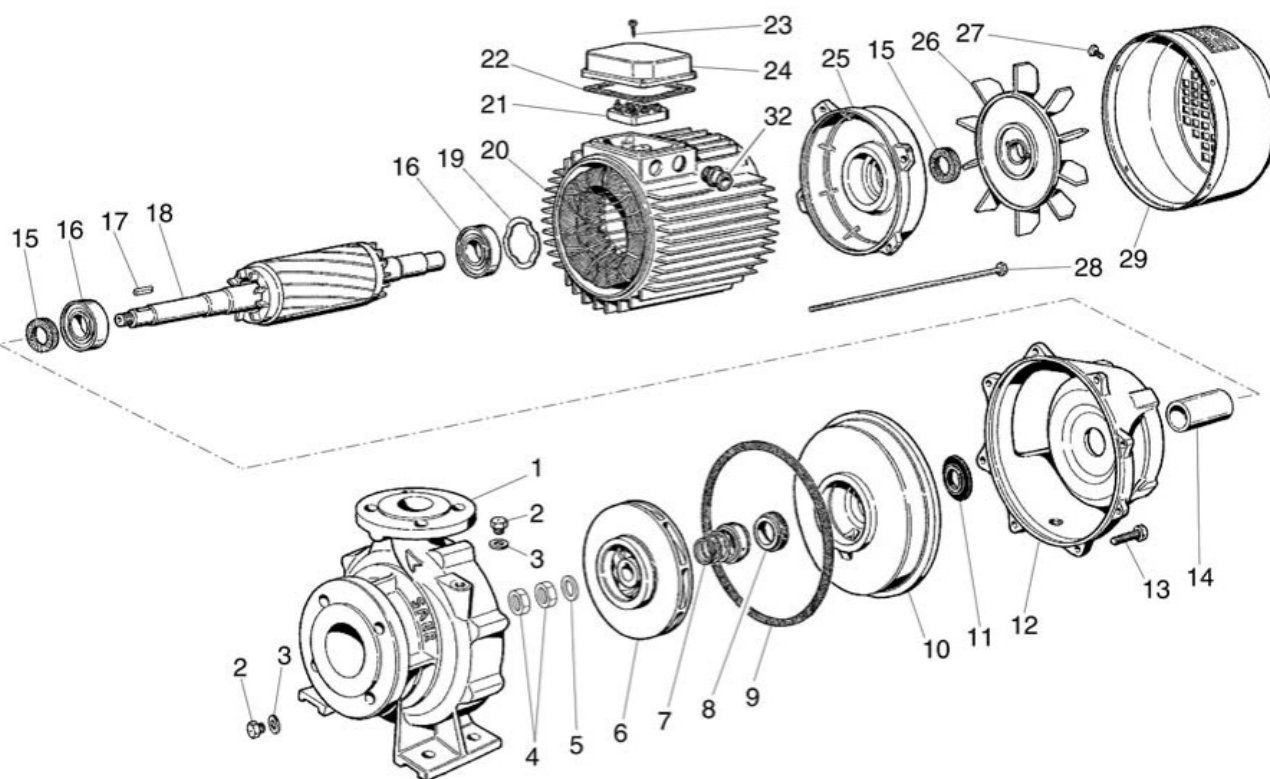
Operating area	Flow	Head	Impeller type
Operating data specification	0 US g.p.m.	0 ft	Impeller construction Sense of rotation
Pump data	US g.p.m.	ft	Outlet width DN 50
	Flow	Head	Shaft power P2
	Min. Max. $\eta$ Max.	H(Q=0) $\eta$ Max.	P2(Q=0) Max. $\eta$ Max.
	US g.p.m. US g.p.m. US g.p.m.	ft ft	hp hp hp
	110 286 169	53.9 44.8	3.34 2.74
			Speed rpm 1800
			Frequency Hz 60 Hz

Performance data based to: Water, pure [100%]; 68°F; 62.3lb/ft<sup>3</sup>; 1.08E-5ft<sup>2</sup>/s UNI EN ISO 9906:2012 - Grade 3B



Project	Project ID	Created by	Created on	Last update
			8/10/2022	

Company name  
Respons. Department  
Person in charge  
Phone number  
Fax no  
E-mail address



Project

Project ID

Created by

Created on  
8/10/2022

Last update