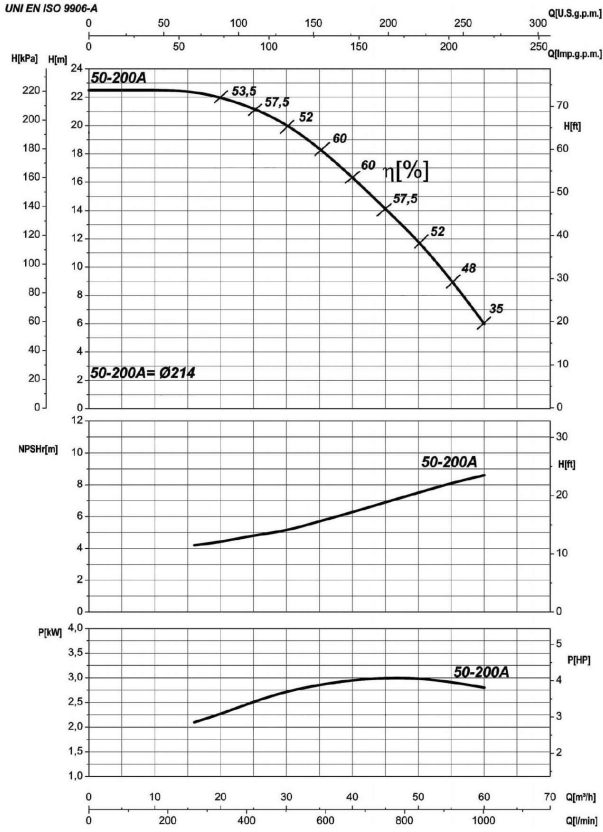


Company name
 Respons. Department
 Person in charge
 Phone number
 Fax no
 E-mail address

Receiver	From



Operating data specification

Nominal flow	US g.p.m. 0
Nominal head	ft 0
Static head	ft 0
NPSH - v value of plant	ft 0
Inlet pressure	psi 1.42
Fluid	Water, pure
Operating temperature t A	°F 68
Density at t A	lb/ft³ 62.32
Kin. viscosity at t A	ft²/s 1.082E-5

Pump		6IR4P 50-200A	
Pump name	6IR4P 50-200A		
Size	65/50/200		
Design			
Speed rpm	1800	No of stages	1
Impeller type			
Flow	Nominal	US g.p.m.	
	Max-	US g.p.m. 264	
	Min-	US g.p.m. 70.4	
Head	Nominal	ft	
	Max-	ft 73.1	
	Min-	ft 20.3	
Head H(Q=0)	ft 73.8		
NPSH 3%	ft		
Max. working pressure	psi 31.9		
Shaft power	hp		
Efficiency	%		
Max absorbed power	hp 4.0987		

Materials Pump			
Shaft	Stainless steel AISI 431 (1.4057)		
Impeller	Cast iron EN-GJL-250		
Pump body	Cast iron EN-GJL-250		
Seal disc	Cast iron EN-GJL-250		
Gasket	Natural fiber		
Mechanical seal	BVEG (Grafito/Ossido Allumina/EPDM)		
Motor	Frame size	100 L	
Manufacturer / Type	SAER MEC100L-4P-3		
Rated power	hp	4.0231	Efficiency 4/4 84 %
Electric current	A	12.4 A	Speed rpm 1800
Electric voltage	V	230V	3~ Hz 60
Starting mode	Unknown		
Degree of protection	IP 55	Insulation class	F

Dimensions in inch

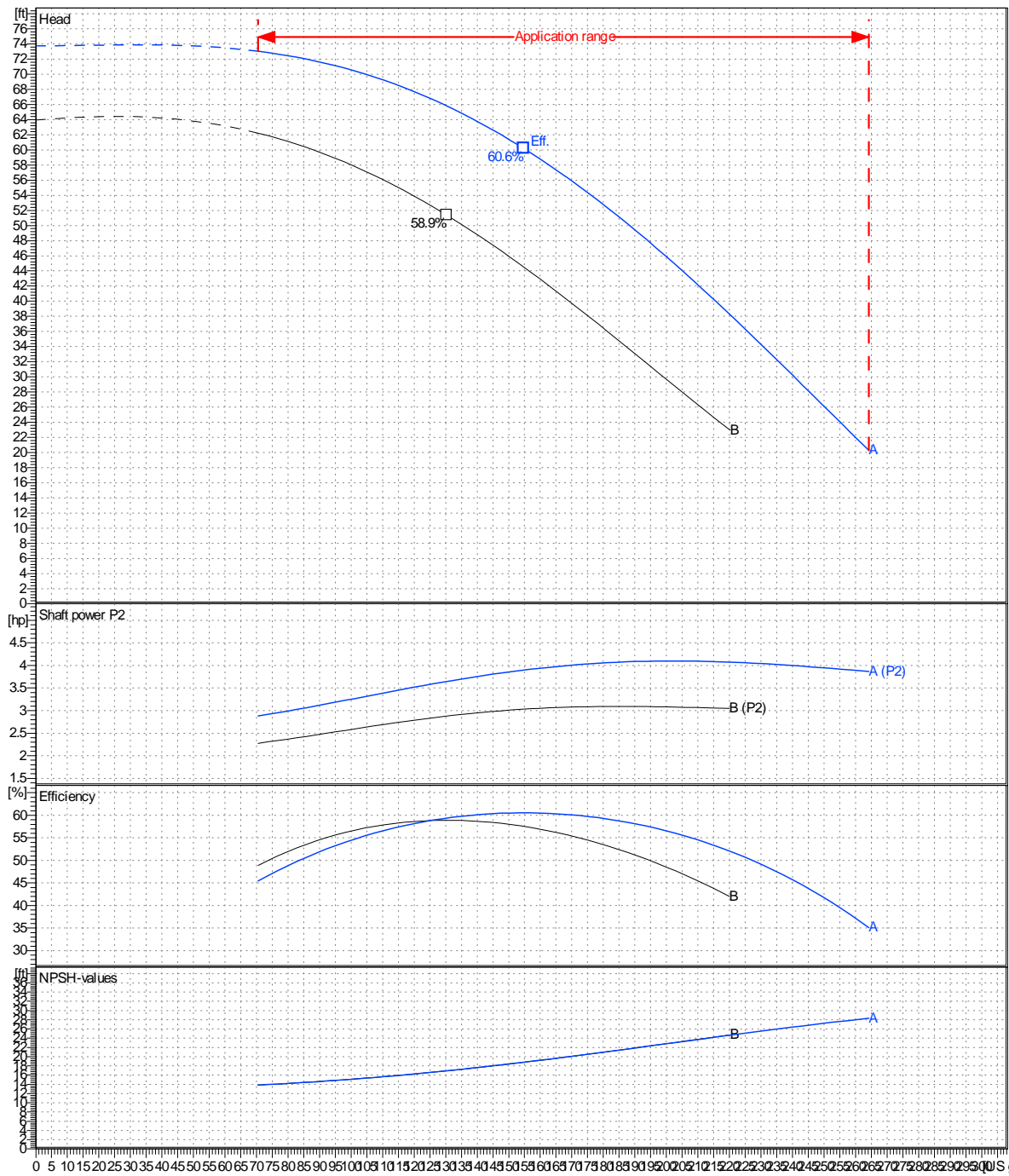
a	4	C	4 ^{13/16}
b	1 ^{15/16}	D	7 ^{5/16}
DNA	2 ^{9/16}	DN	2 ^{9/16}
DNM	1 ^{15/16}	K	5 ^{11/16}
f	15 ^{5/8}	n°	3/16
h1	6 ^{3/8}	øn	3/4
h2	7 ^{15/16}		
m1	3 ^{15/16}		
m2	2 ^{3/4}		
n1	10 ^{7/16}		
n2	8 ^{3/8}		
s	9/16		
w	10 ^{7/8}		

Project	Project ID	Created by	Created on	Last update
			8/10/2022	

Receiver	From
Company name	
Respons. Department	
Person in charge	
Phone number	
Fax no	
E-mail address	

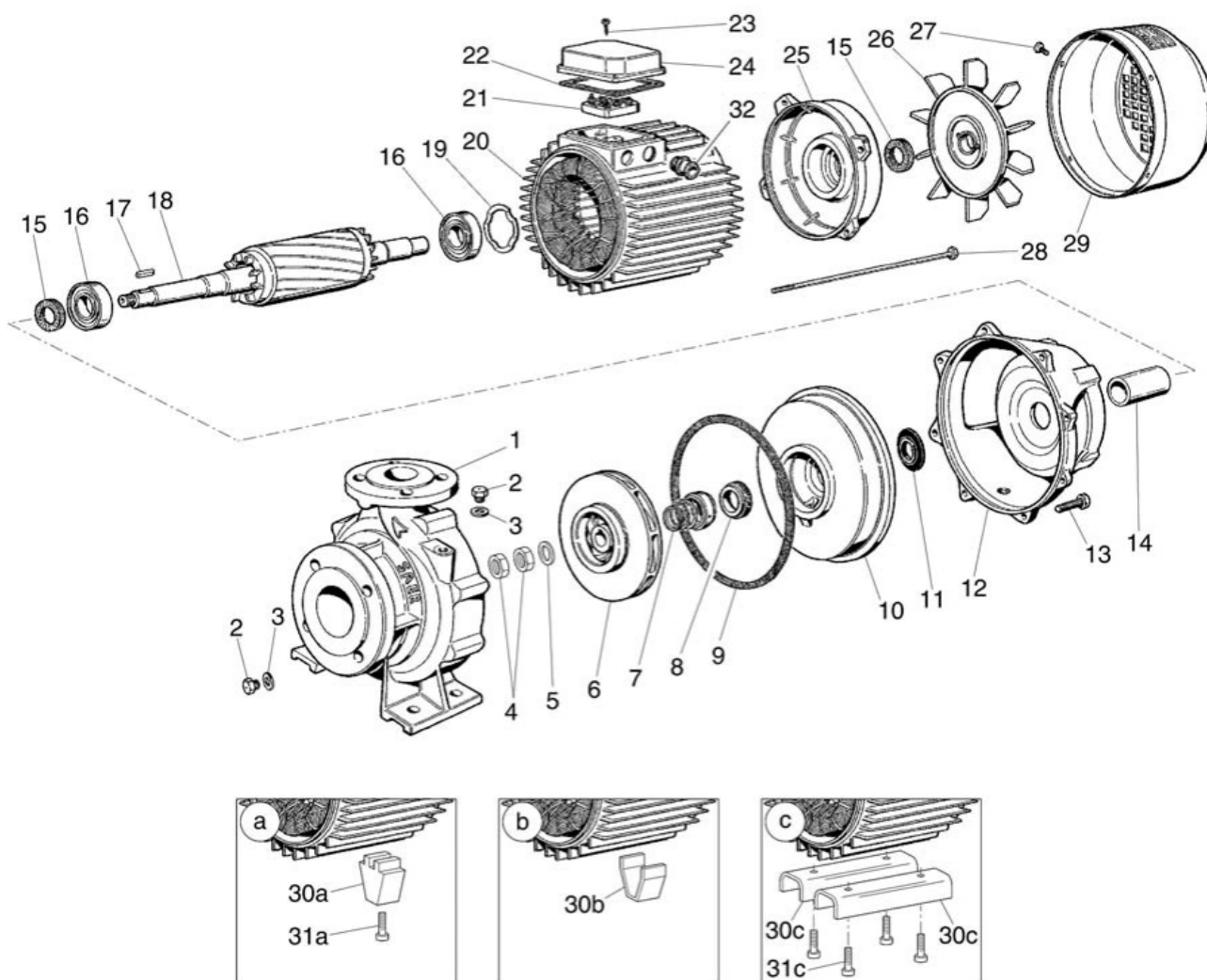
Operating area	Flow	Head	Impeller type
Operating data specification	0 US g.p.m.	0 ft	Impeller construction Closed
Pump data	US g.p.m.	ft	Sense of rotation Clockwise from the drive end
			Outlet width DN 50
	Flow	Head	Shaft power P2
	Min. Max. η Max.	H(Q=0) η Max.	P2(Q=0) Max. η Max.
	US g.p.m. US g.p.m. US g.p.m.	ft ft	hp hp hp
	70.4 264 155	73.8 60.2	4.1 3.9
			Speed rpm 1800
			Frequency Hz 60 Hz

Performance data based to: Water, pure [100%] ; 68°F; 62.3lb/ft³; 1.08E-5ft²/s UNI EN ISO 9906:2012 - Grade 3B



Project	Project ID	Created by	Created on	Last update
			8/10/2022	

Company name
Respons. Department
Person in charge
Phone number
Fax no
E-mail address



Project

Project ID

Created by

Created on
8/10/2022

Last update