



Technical Data

Submersible Pump - ST 35-14

Revision no.

Page:
1

Receiver

From

Company name
Respons. Department
Person in charge
Phone number
Fax no
E-mail address



Brand: Gol Pumps
Model: ST 35-14

Weight (lb)		
Pump	Motor	Pump + Motor
12.5	33.2	45.7

Cable	
Length (Ft)	AWG
8.2	14

Dimensions:



Outlet	Motor Dia.	Dimensions (inch)			
		A	B	C	D
NPT 2"	4"	23.9"	2"	3.9"	39.5"

Project

Project ID

Created by

Created on

Last update



Performance Curves

Submersible Pump - SP 35-14

Revision no.

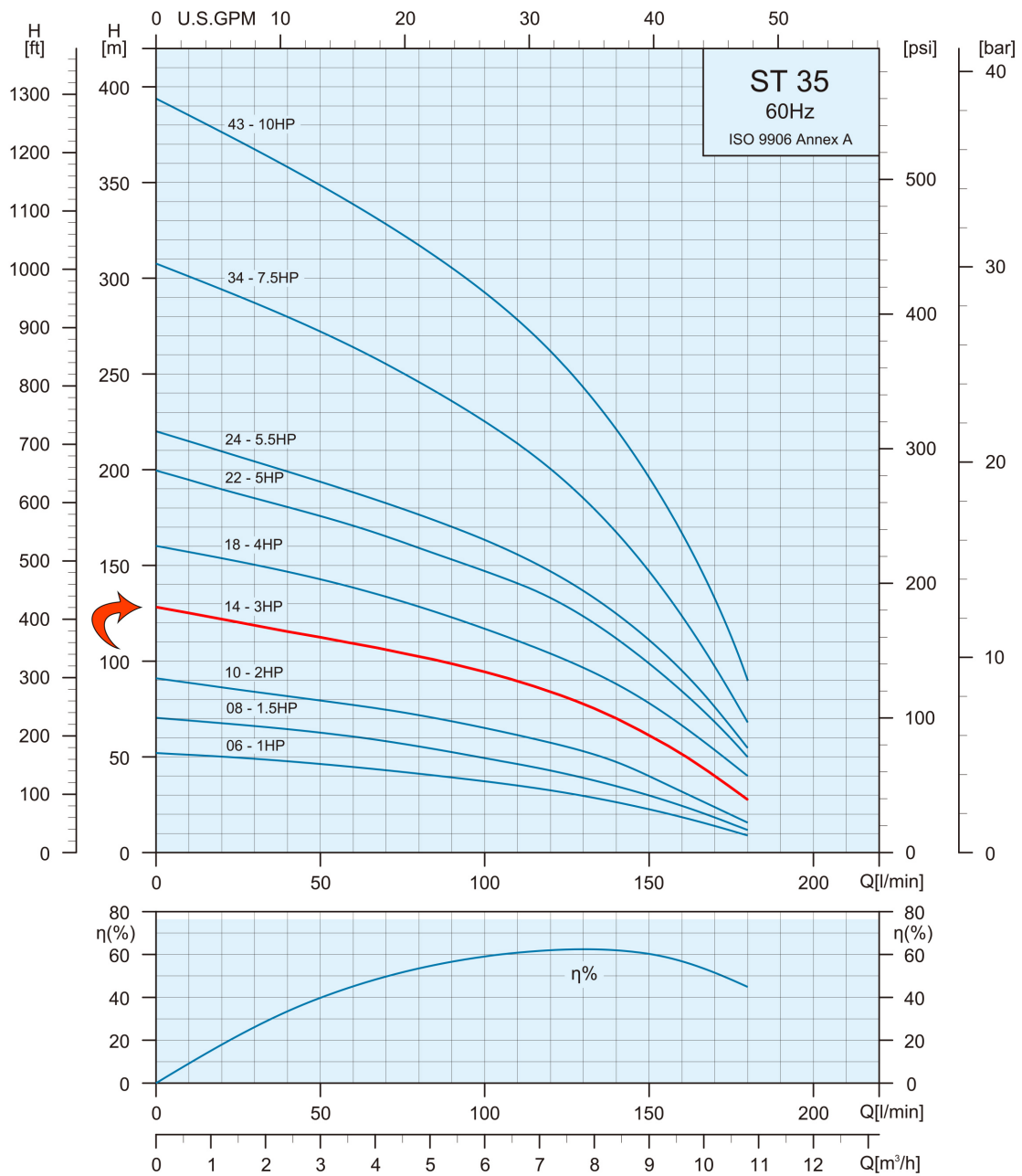
Page:
2

Receiver

From

Company name
Respons. Department
Person in charge
Phone number
Fax no
E-mail address

Pump Model	Motor		Q Capacity 3500RPM										
	kW	HP	Gal/Min	0	15.9	18.5	21.2	23.8	26.4	31.7	37	42.3	47.6
ST 35-14	2.2	3	Head in Feet	420	357.6	347.8	334.6	324.8	308.4	272.3	229.7	167.3	95.1



Project	Project ID	Created by	Created on	Last update
---------	------------	------------	------------	-------------



Part List and Materials Submersible Pump - SP 35-14

Revision no.

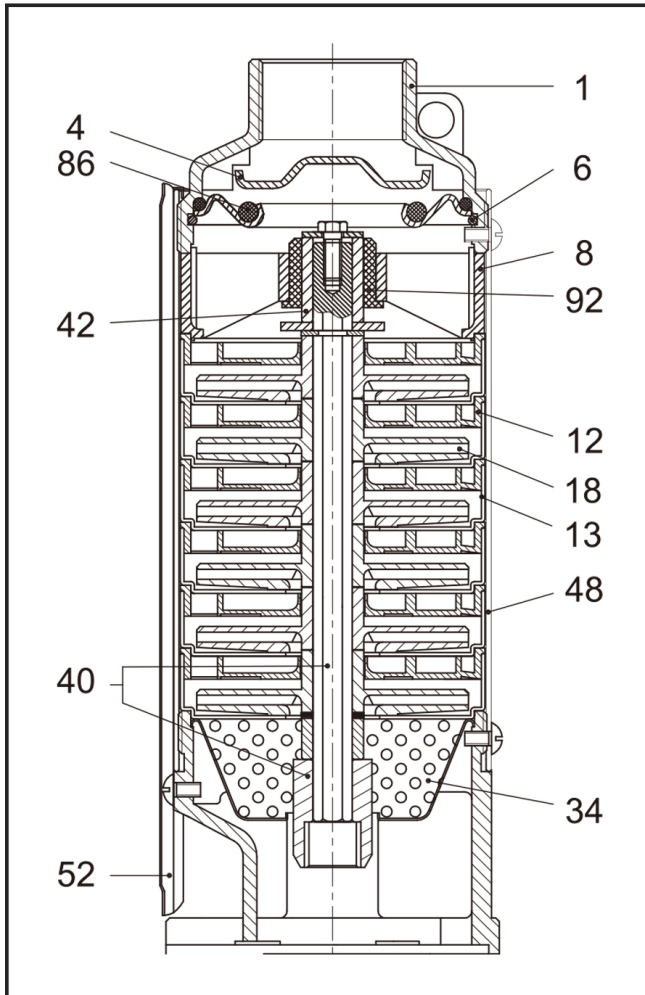
 Page:
3

Receiver

From

 Company name
 Respons. Department
 Person in charge
 Phone number
 Fax no
 E-mail address

Motor Model	P2		S.F	Voltage	Phase	In	Imax	Istart	PF (%)		Efficiency (%)		RPM	Thrust
	kW	HP		V	PH	A	A	A	Allowable Load	Overload Factor	Allowable Load	Overload Factor		N
	4CF4956	2.2		3	1.15	230	Three	9.8	10.6	56	0.73	0.77		77.1



No.	Part Name	Materials
1	Discharge Head	AISI 304
4	Check Valve Cone	AISI 304
6	Check Valve Retaining Ring	AISI 304
8	Bearing Spider	Glass Filled Polycarbonate
12	Diffuser	Glass Filled Polycarbonate
13	Bowl	AISI 304
18	Impeller	Noryl
34	Strainer	AISI 304
40	Pump Shaft / Coupling	AISI 304
42	Shaft Sleeve	AISI 304 or Norly
48	Pump Casing	AISI 304
52	Cable Guard	AISI 304
86	O-Ring	NBR
92	Bearing	Polyacetal

Project

Project ID

Created by

Created on

Last update