



# Technical Data

## Submersible Pump - ST 55-15

Revision no.

Page:  
1

Receiver

From

Company name  
Respons. Department  
Person in charge  
Phone number  
Fax no  
E-mail address

|  |
|--|
|  |
|  |
|  |
|  |
|  |
|  |

|  |
|--|
|  |
|  |
|  |
|  |
|  |
|  |



**Brand: Gol Pumps**  
**Model: ST 55-15**

| Weight (lb) |       |              |
|-------------|-------|--------------|
| Pump        | Motor | Pump + Motor |
| 19.8        | 48    | 67.8         |

| Cable       |     |
|-------------|-----|
| Length (Ft) | AWG |
| 8.2         | 14  |

**Dimensions:**



| Outlet | Motor Dia. | Dimensions (inch) |    |      |       |
|--------|------------|-------------------|----|------|-------|
|        |            | A                 | B  | C    | D     |
| NPT 2" | 4"         | 37.5"             | 2" | 3.9" | 59.2" |

Project

Project ID

Created by

Created on

Last update



# Performance Curves

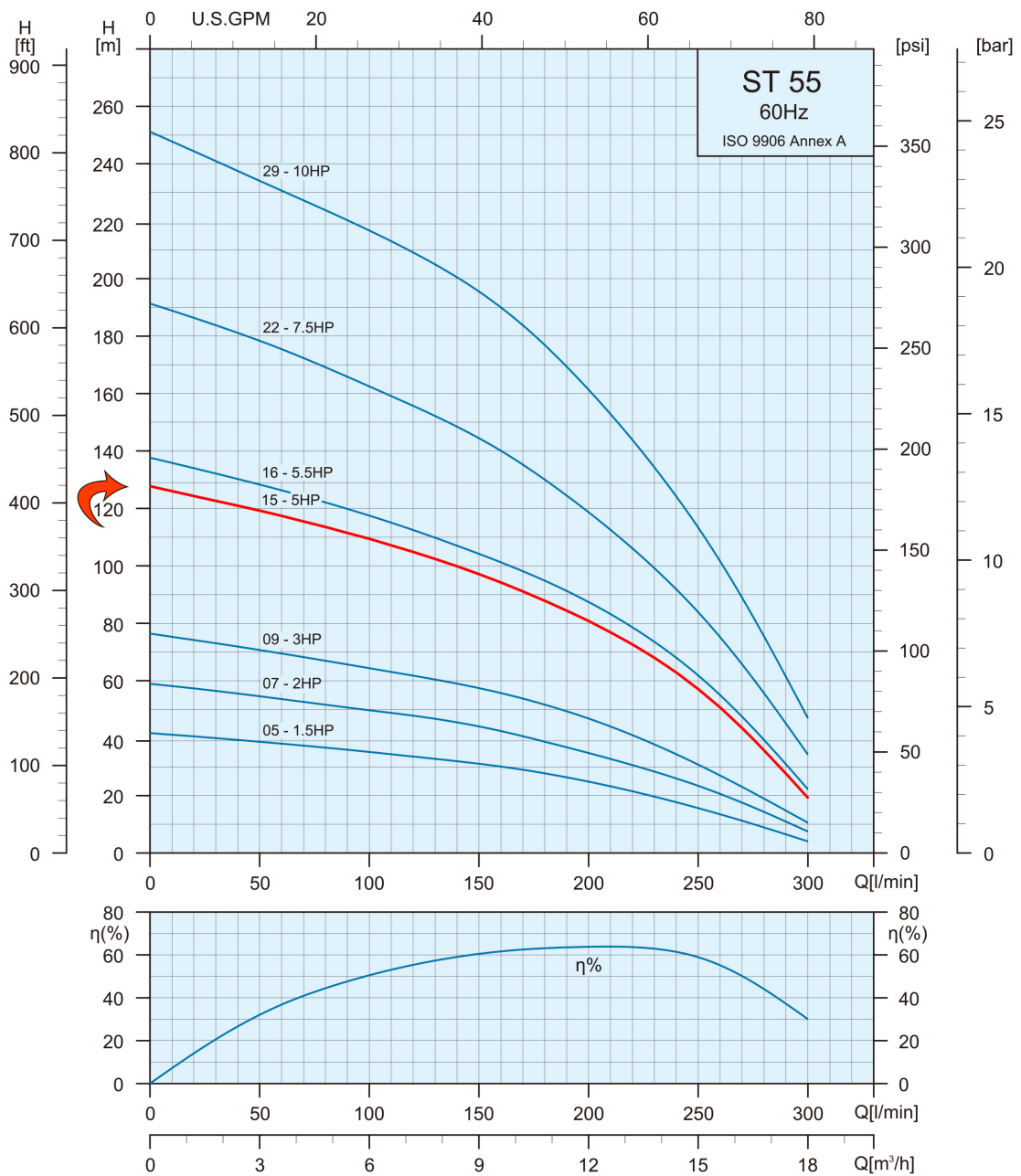
## Submersible Pump - SP 55-15

Revision no.   
 Page: 2

| Receiver | From |
|----------|------|
|          |      |
|          |      |
|          |      |
|          |      |
|          |      |
|          |      |

Company name  
 Respons. Department  
 Person in charge  
 Phone number  
 Fax no  
 E-mail address

| Pump Model | Motor |    | Q Capacity 3500RPM |     |      |      |      |      |     |      |      |      |     |      |      |     |      |
|------------|-------|----|--------------------|-----|------|------|------|------|-----|------|------|------|-----|------|------|-----|------|
|            |       |    | Gal/Min            | 0   | 21.1 | 23.8 | 26.4 | 31.7 | 37  | 42.3 | 47.6 | 52.8 | 58  | 63.4 | 68.7 | 74  | 79.3 |
|            | kW    | HP | Head in Feet       | 420 | 371  | 368  | 358  | 345  | 328 | 308  | 289  | 263  | 236 | 207  | 167  | 121 | 65.6 |
| ST 55-15   | 3.7   | 5  |                    |     |      |      |      |      |     |      |      |      |     |      |      |     |      |



|         |            |            |            |             |
|---------|------------|------------|------------|-------------|
| Project | Project ID | Created by | Created on | Last update |
|---------|------------|------------|------------|-------------|



# Part List and Materials

## Submersible Pump - SP 55-15

Revision no.

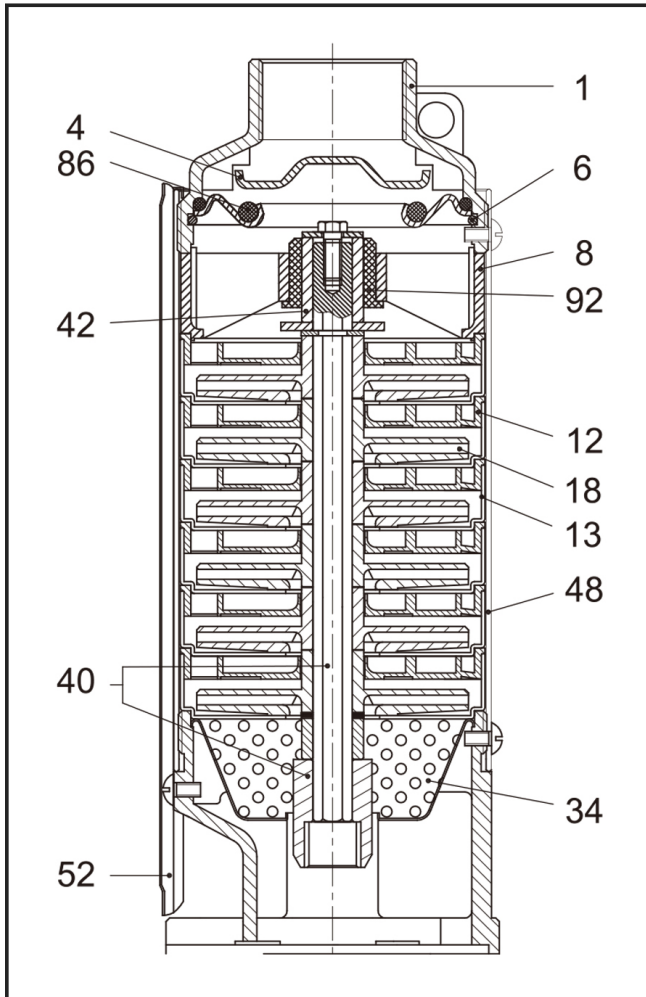
Page:  
3

Receiver

From

Company name  
Respons. Department  
Person in charge  
Phone number  
Fax no  
E-mail address

| Motor Model | P2      |     | S.F | Voltage | Phase | In  | I <sub>max</sub> | I <sub>start</sub> | PF (%)         |                 | Efficiency (%) |                 | RPM | Thrust |
|-------------|---------|-----|-----|---------|-------|-----|------------------|--------------------|----------------|-----------------|----------------|-----------------|-----|--------|
|             | kW      | HP  |     | V       | PH    | A   | A                | A                  | Allowable Load | Overload Factor | Allowable Load | Overload Factor |     | N      |
|             | 4CF6976 | 3.7 |     | 5       | 1.15  | 230 | Three            | 15.7               | 17.3           | 88.4            | 0.78           | 0.81            |     | 75.3   |



| No. | Part Name                  | Materials                  |
|-----|----------------------------|----------------------------|
| 1   | Discharge Head             | AISI 304                   |
| 4   | Check Valve Cone           | AISI 304                   |
| 6   | Check Valve Retaining Ring | AISI 304                   |
| 8   | Bearing Spider             | Glass Filled Polycarbonate |
| 12  | Diffuser                   | Glass Filled Polycarbonate |
| 13  | Bowl                       | AISI 304                   |
| 18  | Impeller                   | Noryl                      |
| 34  | Strainer                   | AISI 304                   |
| 40  | Pump Shaft / Coupling      | AISI 304                   |
| 42  | Shaft Sleeve               | AISI 304 or Norly          |
| 48  | Pump Casing                | AISI 304                   |
| 52  | Cable Guard                | AISI 304                   |
| 86  | O-Ring                     | NBR                        |
| 92  | Bearing                    | Polyacetal                 |

Project

Project ID

Created by

Created on

Last update