



Technical Data

Submersible Pump - ST 80-10

Revision no.

Page:
1

Receiver

From

Company name
Respons. Department
Person in charge
Phone number
Fax no
E-mail address



Brand: Gol Pumps
Model: ST 80-10

Weight (lb)		
Pump	Motor	Pump + Motor
16.5	48	64.5

Cable	
Length (Ft)	AWG
8.2	14

Dimensions:



Outlet	Motor Dia.	Dimensions (inch)			
		A	B	C	D
NPT 2"	4"	32"	2"	3.9"	53.7"

Project

Project ID

Created by

Created on

Last update



Performance Curves

Submersible Pump - SP 80-10

Revision no.

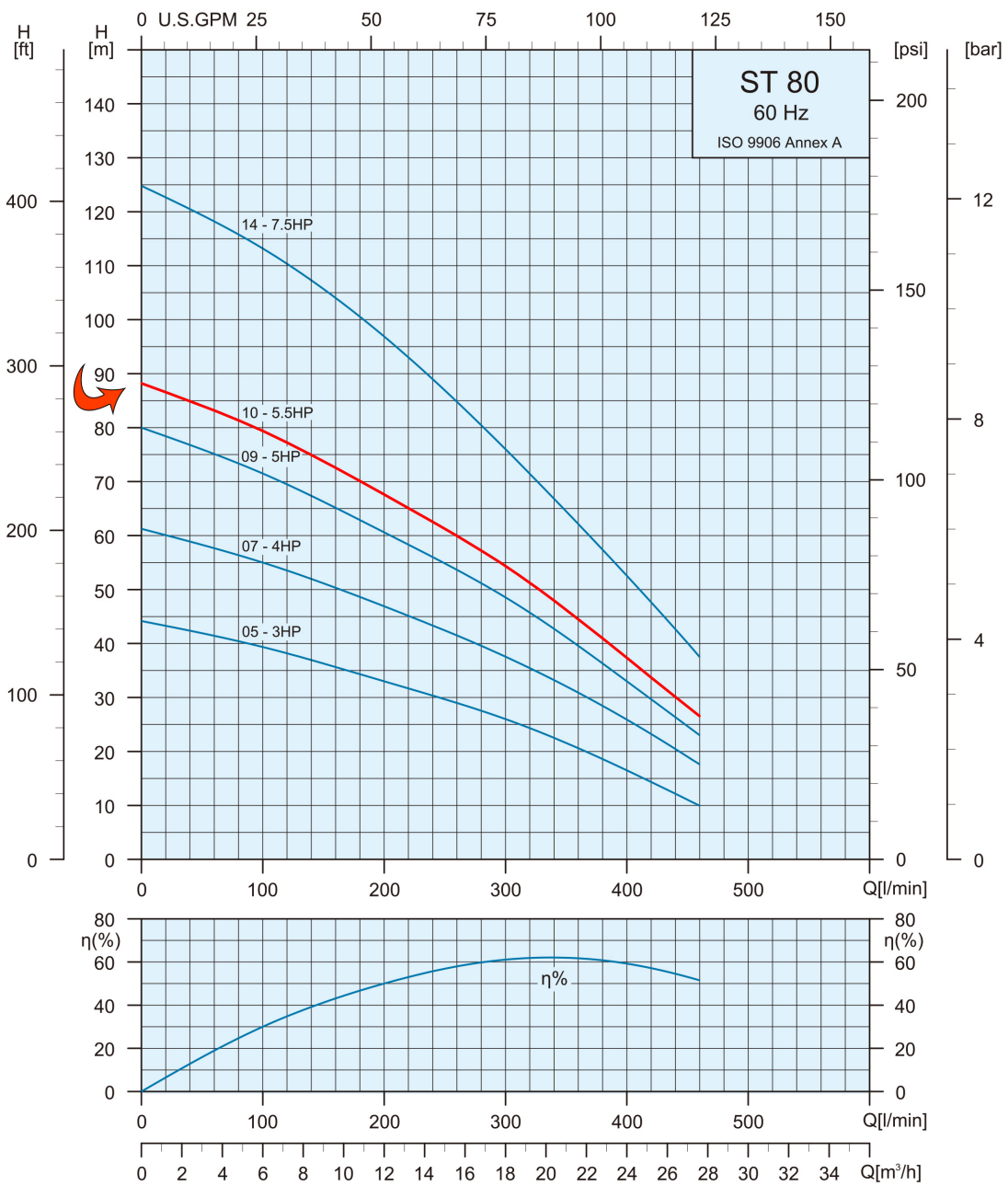
Page:
2

Receiver

From

Company name
Respons. Department
Person in charge
Phone number
Fax no
E-mail address

Pump Model	Motor		Q Capacity 3500RPM													
	kW	HP	Gal/Min	0	42.3	47.6	52.8	58.1	63.4	68.7	74	79.3	89.8	100	111	122
ST 80-10	3.7	5	Head in Feet	289	240	230	223	213	207	197	187	177	158	135	112	88.6



Project	Project ID	Created by	Created on	Last update
---------	------------	------------	------------	-------------



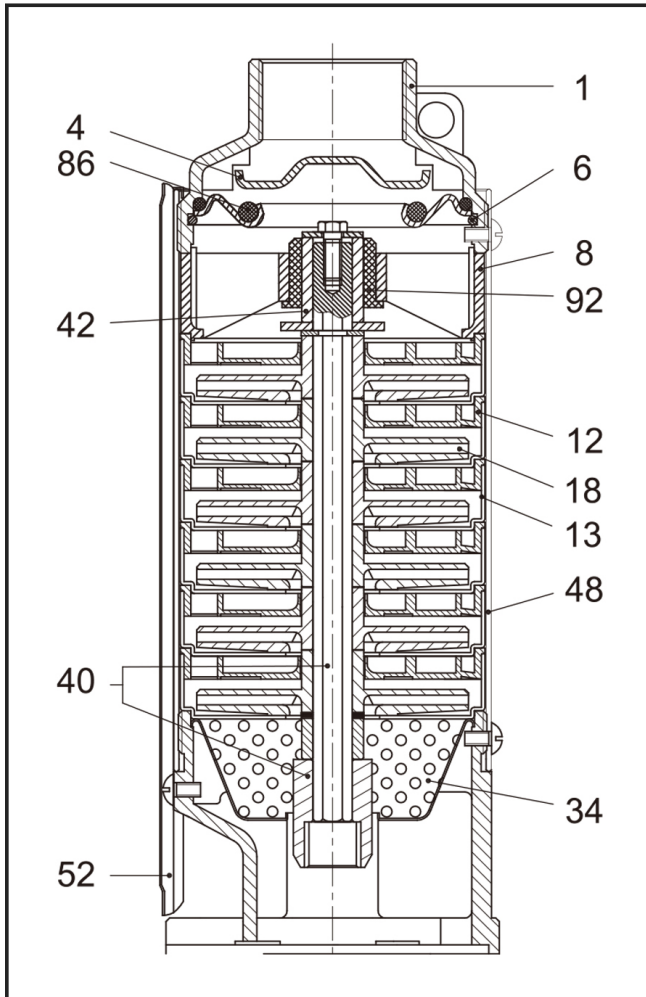
Part List and Materials Submersible Pump - SP 80-10

Revision no. _____ Page: 3

Receiver	From

Company name
Respons. Department
Person in charge
Phone number
Fax no
E-mail address

Motor Model	P2		S.F	Voltage	Phase	In	I _{max}	I _{start}	PF (%)		Efficiency (%)		RPM	Thrust
	kW	HP		V	PH	A	A	A	Allowable Load	Overload Factor	Allowable Load	Overload Factor		N
	4CF6976	3.7		5	1.15	230	Three	15.7	17.3	88.4	0.78	0.81		75.3



No.	Part Name	Materials
1	Discharge Head	AISI 304
4	Check Valve Cone	AISI 304
6	Check Valve Retaining Ring	AISI 304
8	Bearing Spider	Glass Filled Polycarbonate
12	Diffuser	Glass Filled Polycarbonate
13	Bowl	AISI 304
18	Impeller	Noryl
34	Strainer	AISI 304
40	Pump Shaft / Coupling	AISI 304
42	Shaft Sleeve	AISI 304 or Norly
48	Pump Casing	AISI 304
52	Cable Guard	AISI 304
86	O-Ring	NBR
92	Bearing	Polyacetal

Project	Project ID	Created by	Created on	Last update
---------	------------	------------	------------	-------------