



Technical Data

Submersible Pump - A6X 46 CR 25/8

Revision no.

Page:
 1

	Receiver	From
Company name		
Respons. Department		
Person in charge		
Phone number		
Fax no		
E-mail address		

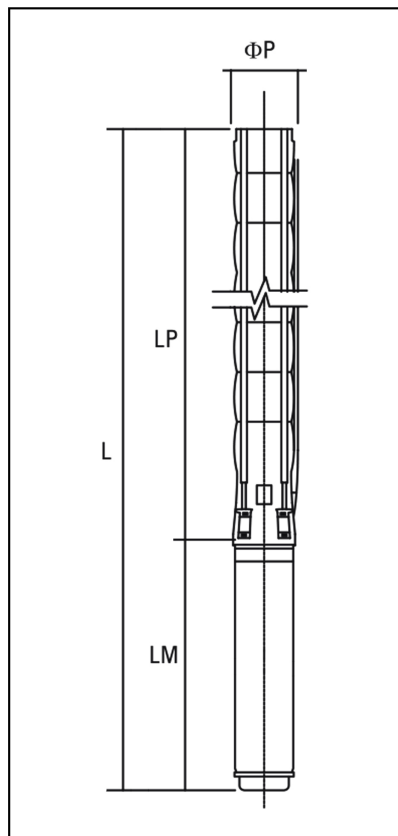


Brand: Gol Pumps
Model: A6X 46 CR 25/8
Motor Material: Cast Iron

Weight (lb)		
Pump	Motor	Pump + Motor
57	145	202

Cable	
Length (Ft)	AWG
13.1	10

Dimensions:



Outlet	Motor Dia.	Dimensions (inch)			
		LP	LM	L	φP
NPT 4"	6"	46"	33.7"	79.7"	5"

Project	Project ID	Created by	Created on	Last update
---------	------------	------------	------------	-------------



Performance Curves

Submersible Pump - A6X 46 CR 25/8

Revision no.

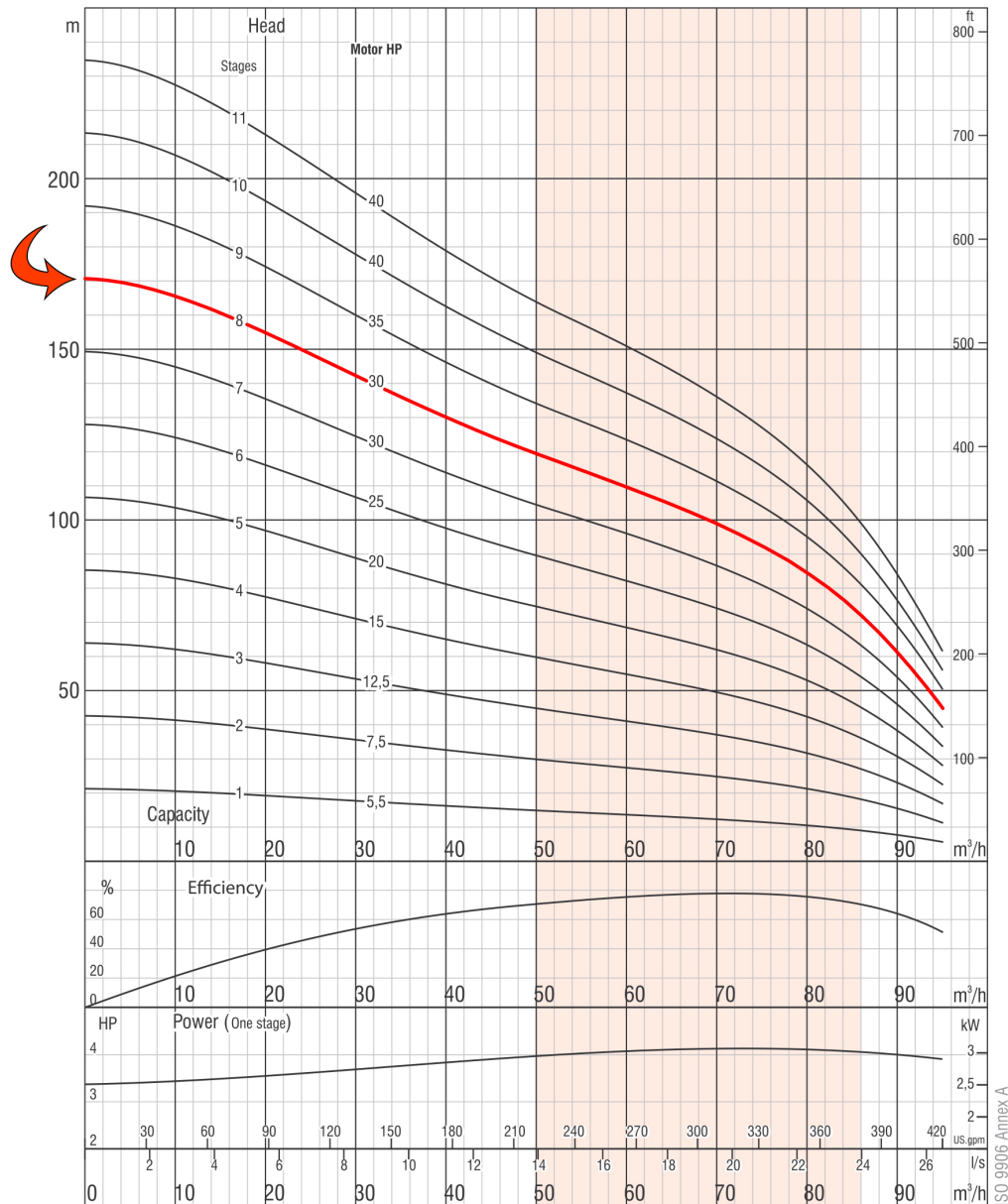
Page:
 2

Company name
 Respons. Department
 Person in charge
 Phone number
 Fax no
 E-mail address

Receiver	From

Pump Model	Stages	Motor		Q Capacity 3500RPM													
				Gal/H	0	5283	9246	10567	11888	13209	14529	15850	17171				
		kW	HP	Head in Feet	561	522	446	417	390	364	338	308	279				
A6X 46 CR 25/8	8	18.5	25														

The hydraulic working characteristics have been taken with water at 15 °C, at the atmospheric pressure of 1 bar and specific gravity is 1 gr/cm³



Due to continuous improvement in design we reserve the right to amend specifications or data without prior notice.

Project	Project ID	Created by	Created on	Last update
---------	------------	------------	------------	-------------



Part List and Materials

Submersible Pump - A6X 46 CR 25/8

Revision no.

Page:

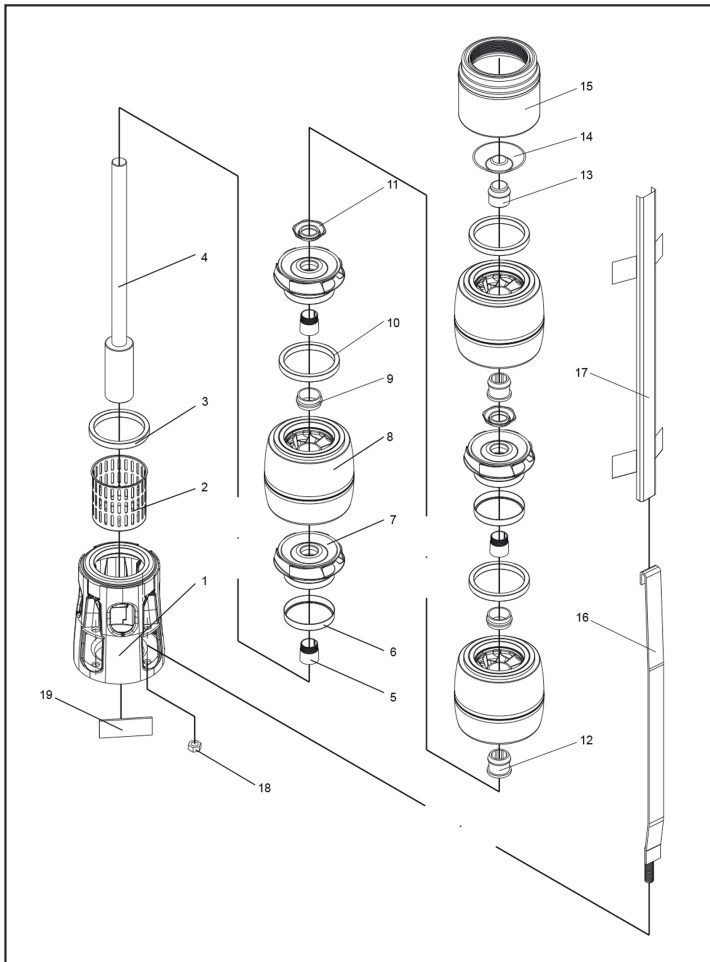
3

Receiver

From

 Company name
 Respons. Department
 Person in charge
 Phone number
 Fax no
 E-mail address

Motor Model	P2		S.F	Voltage	Phase	In	I _{max}	I _{start}	PF (%)		Efficiency (%)		RPM	Thrust
	kW	HP		V	PH	A	A	A	Allowable Load	Overload Factor	Allowable Load	Overload Factor		N
	6CF7356D	18.5		25	1.15	460	Three	34	38	142.3	0.81	0.83		84



No.	Part Name	Materials
1	Suction Case	Stainless Steel (AISI 304L)
2	Filter	Stainless Steel (AISI 304)
3	Suction Case Wear Ring	Bronze (ASTM B145-4A)
4	Pump Shaft with Coupling	Stainless Steel (AISI 420)
5	Collet	Stainless Steel
6	Impeller Wear Rings	Stainless Steel (AISI 304)
7	Impeller	Stainless Steel (AISI 304L)
8	Diffuser	Stainless Steel (AISI 304L)
9	Rubber Bearing	Rubber
10	Diffuser Wear Ring	Rubber
11	Nut for Stop Ring	Stainless Steel (AISI 304L)
12	Bearing	Rubber
13	Shaft Stopper	Bronze (ASTM B145-4A)
14	Valve	Stainless Steel (AISI 304)
15	Discharge Case	Stainless Steel (AISI 304)
16	Tie Rod	Stainless Steel (AISI 304L)
17	Cable Guard	Stainless Steel (AISI 304)
18	Tie Rod Nut	Stainless Steel (AISI 303)
19	Name Plate	Stainless Steel (AISI 304)

Project

Project ID

Created by

Created on

Last update