



## Technical Data

### Submersible Pump - A6X 60 CR 30/8

Revision no.

Page:

1

Receiver

From

 Company name  
 Respons. Department  
 Person in charge  
 Phone number  
 Fax no  
 E-mail address



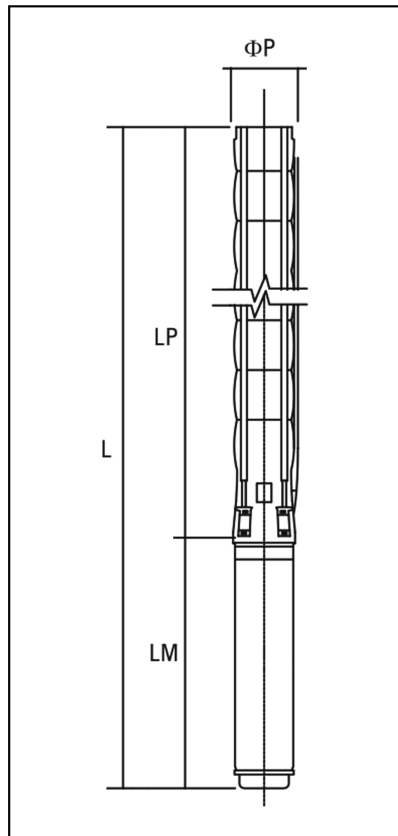


**Brand: Gol Pumps**  
**Model: A6X 60 CR 30/8**

Weight (lb)		
Pump	Motor	Pump + Motor
57	155.3	212.3

Cable	
Length (Ft)	AWG
13.1	10

### Dimensions:



Outlet	Motor Dia.	Dimensions (inch)			
		LP	LM	L	$\phi P$
NPT 4"	6"	46"	35.4"	81.4"	5"

Project

Project ID

Created by

Created on

Last update



# Performance Curves

## Submersible Pump - A6X 60 CR 30/8

Revision no. \_\_\_\_\_  
 \_\_\_\_\_

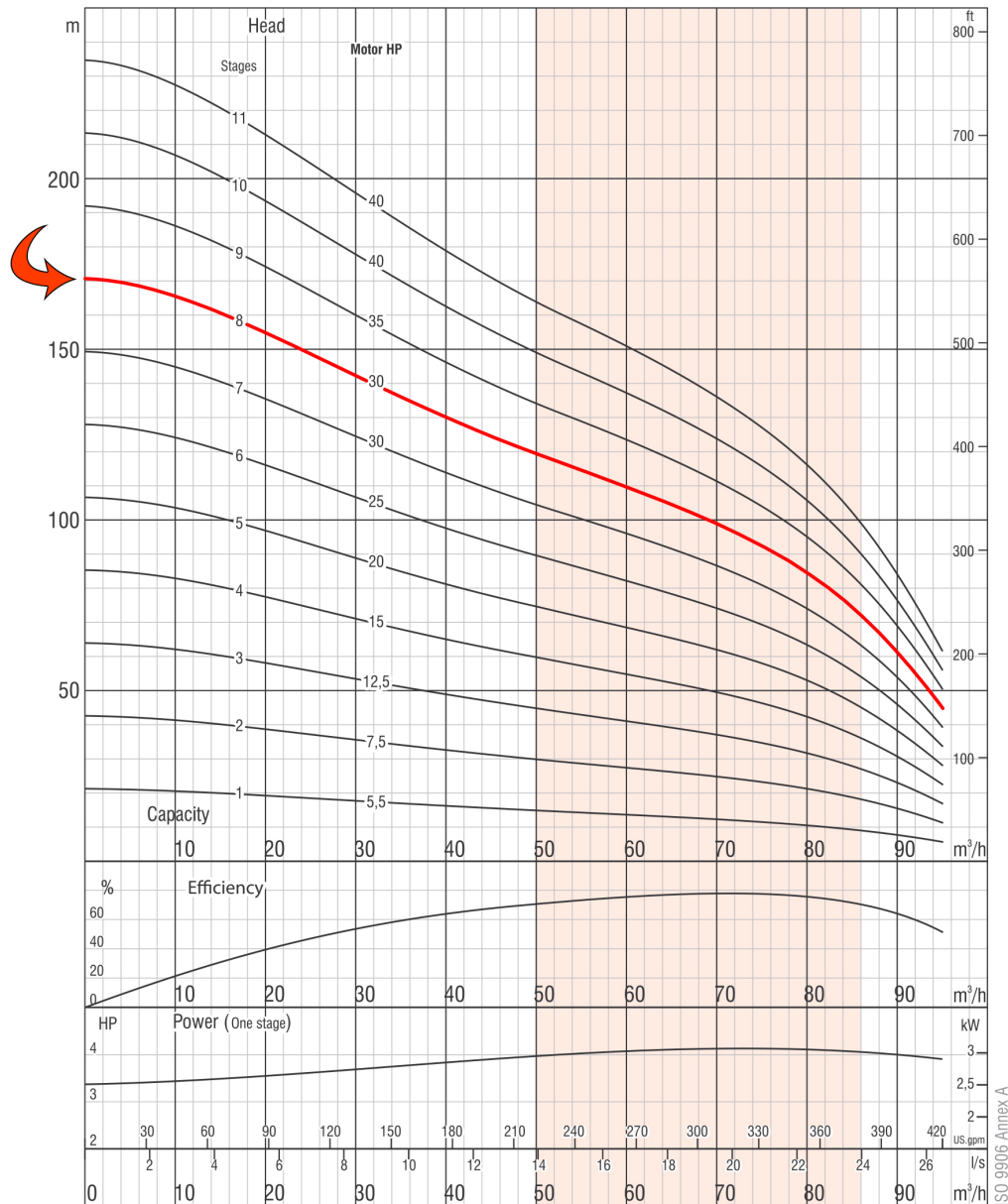
Page:  
2

Company name  
 Respons. Department  
 Person in charge  
 Phone number  
 Fax no  
 E-mail address

Receiver	From

Pump Model	Stages	Motor		Q Capacity 3500RPM													
				Gal/H	0	5283	10567	15850	17171	18492	19813	21134	22455				
		kW	HP	Head in Feet	558	509	427	361	344	325	305	276	243				
<b>A6X 60 CR 30/8</b>	8	22	30														

*The hydraulic working characteristics have been taken with water at 15 °C, at the atmospheric pressure of 1 bar and specific gravity is 1 gr/cm<sup>3</sup>*



*Due to continuous improvement in design we reserve the right to amend specifications or data without prior notice.*

Project	Project ID	Created by	Created on	Last update
---------	------------	------------	------------	-------------



## Part List and Materials

### Submersible Pump - A6X 60 CR 30/8

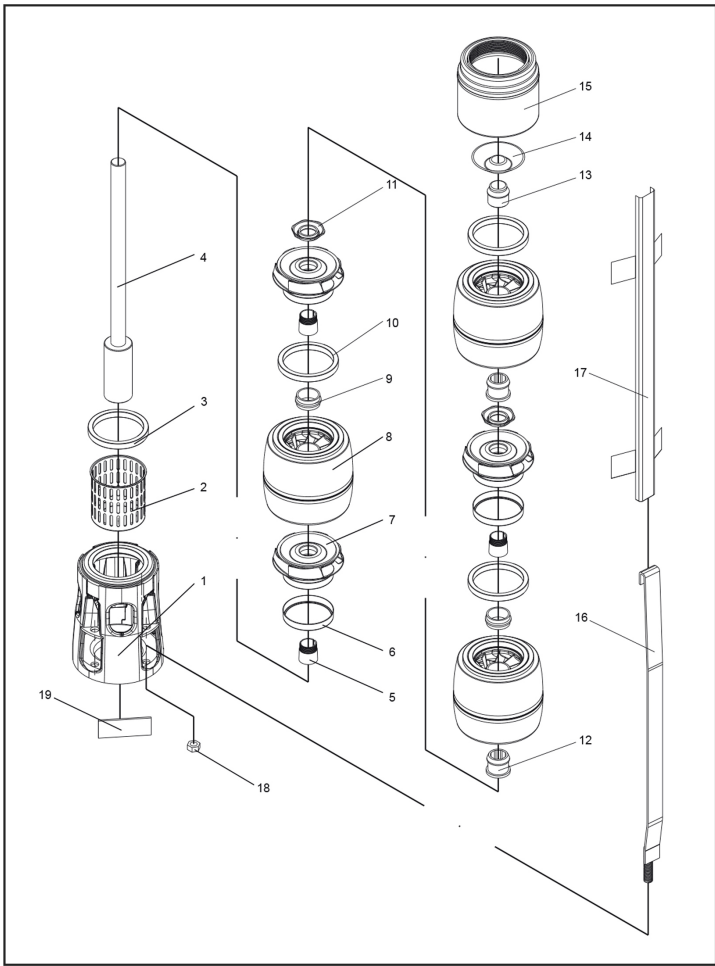
Revision no.

Page:  
 3

Receiver	From

Company name  
 Respons. Department  
 Person in charge  
 Phone number  
 Fax no  
 E-mail address

Motor Model	P2		S.F	Voltage	Phase	In	I <sub>max</sub>	I <sub>start</sub>	PF (%)		Efficiency (%)		RPM	Thrust
	kW	HP		V	PH	A	A	A	Allowable Load	Overload Factor	Allowable Load	Overload Factor		N
	<b>6CF7366D</b>	22		30	1.15	460	Three	37.6	43	148.2	0.87	0.88		84.3



No.	Part Name	Materials
1	Suction Case	Stainless Steel (AISI 304L)
2	Filter	Stainless Steel (AISI 304)
3	Suction Case Wear Ring	Bronze (ASTM B145-4A)
4	Pump Shaft with Coupling	Stainless Steel (AISI 420)
5	Collet	Stainless Steel
6	Impeller Wear Rings	Stainless Steel (AISI 304)
7	Impeller	Stainless Steel (AISI 304L)
8	Diffuser	Stainless Steel (AISI 304L)
9	Rubber Bearing	Rubber
10	Diffuser Wear Ring	Rubber
11	Nut for Stop Ring	Stainless Steel (AISI 304L)
12	Bearing	Rubber
13	Shaft Stopper	Bronze (ASTM B145-4A)
14	Valve	Stainless Steel (AISI 304)
15	Discharge Case	Stainless Steel (AISI 304)
16	Tie Rod	Stainless Steel (AISI 304L)
17	Cable Guard	Stainless Steel (AISI 304)
18	Tie Rod Nut	Stainless Steel (AISI 303)
19	Name Plate	Stainless Steel (AISI 304)

Project	Project ID	Created by	Created on	Last update
---------	------------	------------	------------	-------------