



## Technical Data

### Submersible Pump - A7X 95 CR 25/2

Revision no.

Page:  
 1

	Receiver	From
Company name		
Respons. Department		
Person in charge		
Phone number		
Fax no		
E-mail address		

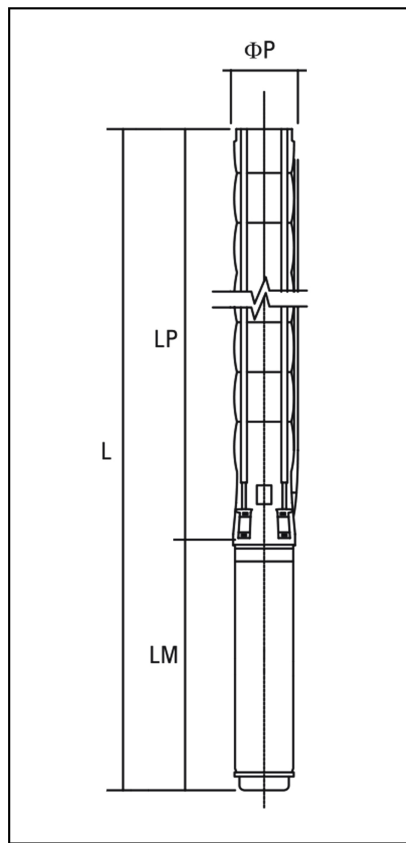


**Brand: Gol Pumps**  
**Model: A7X 95 CR 55/2**  
**Motor Material: Cast Iron**

Weight (lb)		
Pump	Motor	Pump + Motor
66	145	211

Cable	
Length (Ft)	AWG
13.1	10

**Dimensions:**



Outlet	Motor Dia.	Dimensions (inch)			
		LP	LM	L	φP
NPT 5"	6"	28"	33.7"	61.7"	5"

Project	Project ID	Created by	Created on	Last update
---------	------------	------------	------------	-------------



# Performance Curves

## Submersible Pump - A7X 95 CR 25/2

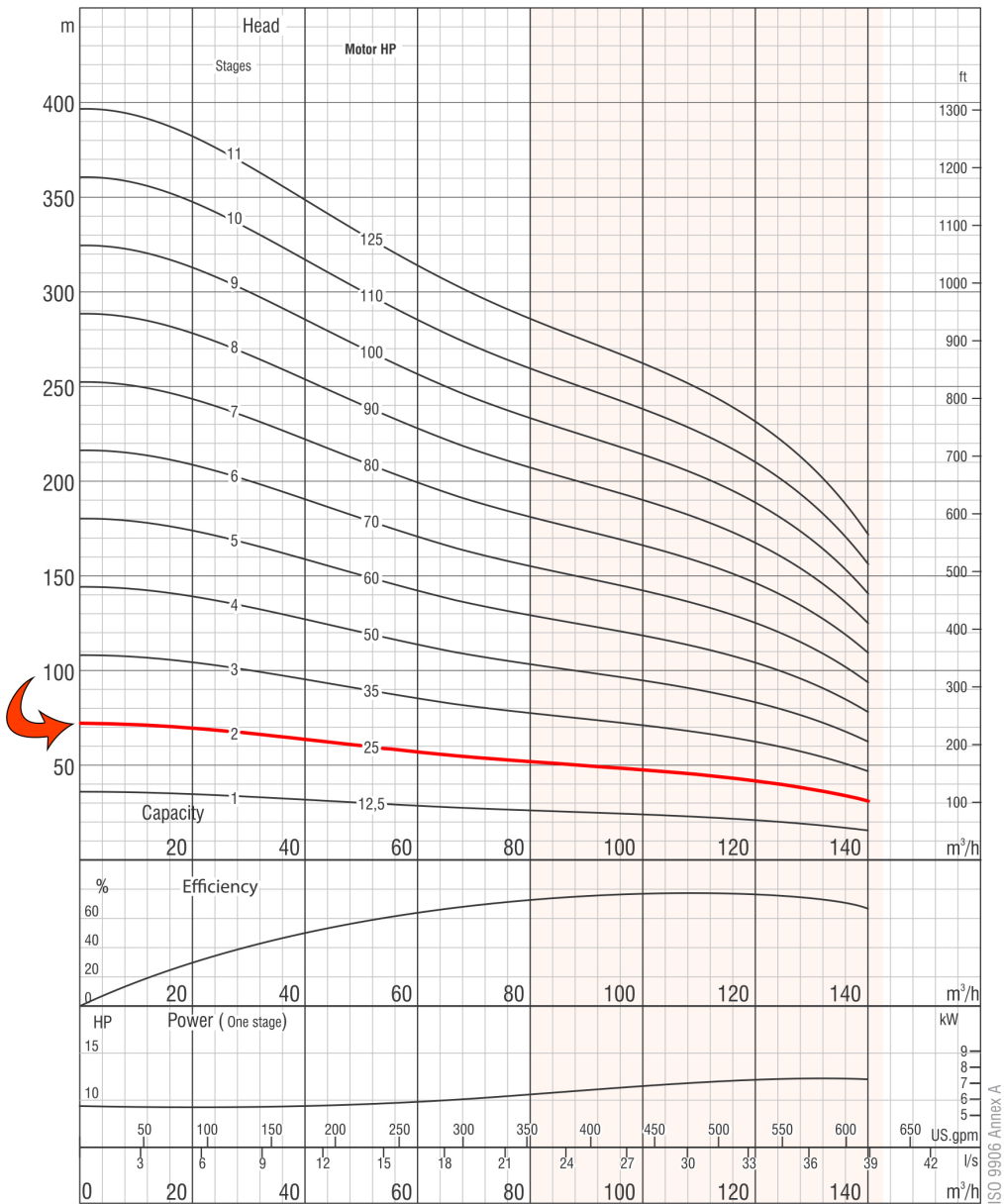
Revision no. \_\_\_\_\_  
 Page: 2

Receiver	From

Company name  
 Respons. Department  
 Person in charge  
 Phone number  
 Fax no  
 E-mail address

Pump Model	Stages	Motor		Q Capacity 3500RPM																
				Gal/H	0	5283	10567	18492	23775	26417	29059	31701	34342							
		kW	HP	Head in Feet	236	207	177	171	164	157	148	138	125							
<b>A7X 95 CR 25/2</b>	<b>2</b>	<b>18.5</b>	<b>25</b>																	

The hydraulic working characteristics have been taken with water at 15 °C, at the atmospheric pressure of 1 bar and specific gravity is 1 gr/cm<sup>3</sup>



Due to continuous improvement in design we reserve the right to amend specifications or data without prior notice.

Project	Project ID	Created by	Created on	Last update



## Part List and Materials

### Submersible Pump - A7X 95 CR 25/2

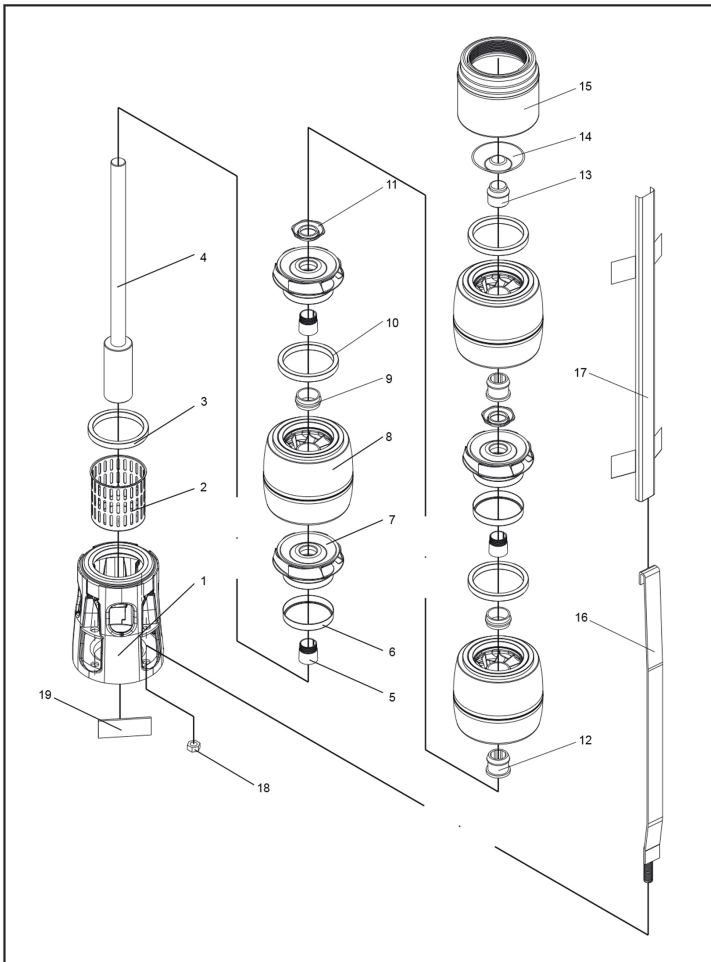
Revision no. \_\_\_\_\_  
 \_\_\_\_\_

Page:  
3

Receiver	From

Company name  
 Respons. Department  
 Person in charge  
 Phone number  
 Fax no  
 E-mail address

Motor Model	P2		S.F	Voltage V	Phase PH	In A	Imax A	Istart A	PF (%)		Efficiency (%)		RPM	Thrust N
	kW	HP							Allowable Load	Overload Factor	Allowable Load	Overload Factor		
<b>6CF7356D</b>	18.5	25	1.15	460	Three	34	38	142.3	0.81	0.83	84	83.8	3450	15500



No.	Part Name	Materials
1	Suction Case	Stainless Steel (AISI 304L)
2	Filter	Stainless Steel (AISI 304)
3	Suction Case Wear Ring	Bronze (ASTM B145-4A)
4	Pump Shaft with Coupling	Stainless Steel (AISI 420)
5	Collet	Stainless Steel
6	Impeller Wear Rings	Stainless Steel (AISI 304)
7	Impeller	Stainless Steel (AISI 304L)
8	Diffuser	Stainless Steel (AISI 304L)
9	Rubber Bearing	Rubber
10	Diffuser Wear Ring	Rubber
11	Nut for Stop Ring	Stainless Steel (AISI 304L)
12	Bearing	Rubber
13	Shaft Stopper	Bronze (ASTM B145-4A)
14	Valve	Stainless Steel (AISI 304)
15	Discharge Case	Stainless Steel (AISI 304)
16	Tie Rod	Stainless Steel (AISI 304L)
17	Cable Guard	Stainless Steel (AISI 304)
18	Tie Rod Nut	Stainless Steel (AISI 303)
19	Name Plate	Stainless Steel (AISI 304)

Project	Project ID	Created by	Created on	Last update
---------	------------	------------	------------	-------------