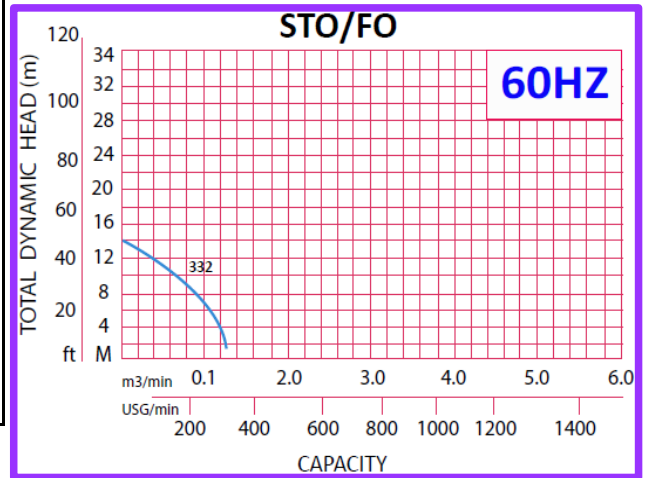


### Pump Data

Brand :	Gol Pump		
Model :	GSTO-332		
Head Rate :	26 FEET	Flow Rate:	133 GPM
Head Max:	46 FEET	Flow Max:	346 GPM
Head Min:	6 FEET	Flow Min :	5 GPM
RPM :	1800		
Normal Power P1 :	3 HP		
Fluid:	Water		
Fluid Temperature:	at about 25 °C		
Density:	water 997 kg/m <sup>3</sup>		
Fluid Viscosity:	8.90 × 10 <sup>-4</sup> Pa·s		
With Float switch	NONE		
Self Priming	Submersible		
Delivery size	3" NPT		
Suction size	With Strainer		
Made in :	TAIWAN		



### Motor Data

Power P2:	*		
Power P1:	2.2 KW		
Phase (PH):	3		
Rate Voltage :	480 V		
Capacitor Need :	*	HF	
Ferequency :	60 Hz		
Rated Speed (rpm):	1800 rpm		
Current (A):	2.2 A		
Cos φ :	0.85		
Degree of Protection (IP):	IP 68		
Safety Protection Included:	E		
length of Cable :	3.5 × 10	mm2×m	
Kind of Plug :	NONE		
Ambient Temp :	40°C = 104°F		

### Other Pump Data

Impeller Size (mm) :	*		
Pressuer Rating :	PN 16		
Min. Fluid Temp :	10°C = 50°F		
Max. Fluid Temp :	40°C = 104°F		
Ambient Temp :	40°C = 104°F		
Humidity % :	100%		

### Special Specification

Installation status :	Ver		
Variable frequency :	NONE		
Solid Passage	40 × 50	mm	

### Materials

Pump Body :	Cast Iron
Support:	Cast Iron
Impeller	Cast Iron
Mechanical Seal:	Silicon Carbide
Rubber	Steel
Pump Shaft:	SUS 304
Strainer	Cast Iron
outer cover:	Cast Iron
Motor:	Cast Iron

### Shaft Seal

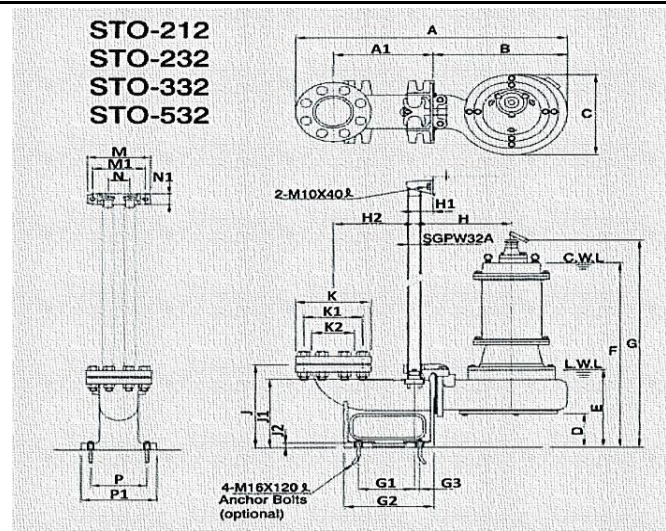
Type:	*
Stationary Part	SUS 304
Rotating Part	SUS 304
Elastomer	Cast Iron

### Pump and Motor specification optional

With Booster System	None
With Complack	None
Special Material	None
Specail Voltage	None

### Protection system required

External Flout switch	NONE
Minimum Starter	Starter SWT



Weight : 115 Kg  
Standard Approve

### Applicant:

Dimention in mm

CSA		Effluent Pumping in Industrial Waste Water	A	755
		Treatment Plants Sewage Waste Water and Solid	A1	285
			B	365
			C	311
UL		Treatment in Various Factories and Building	D	116
			E	282
			F	633
			G	721
		Sites Food Processing Factory Confined	G1	155
			G2	250
			G3	15
			H	270
			H1	60
			H2	225
CE		Livestock Feeding Industry Restaurants and	K	365
			K1	239
			K2	12
			M	234
		Shops Markets and Super Markets	M1	195
			N	80
			N1	66
			P	170
			P1	220
			J	290
			J1	240
			J2	17