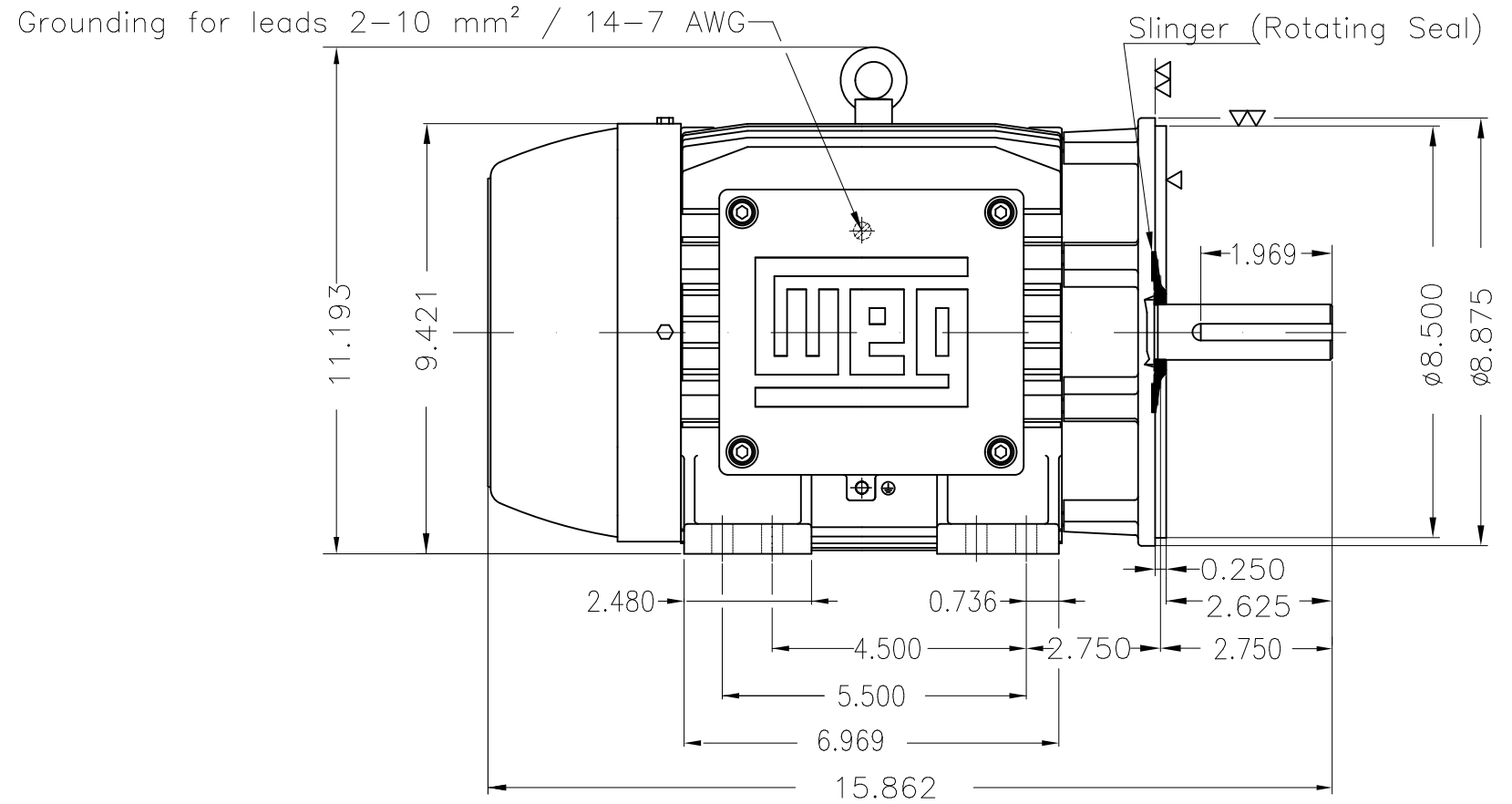
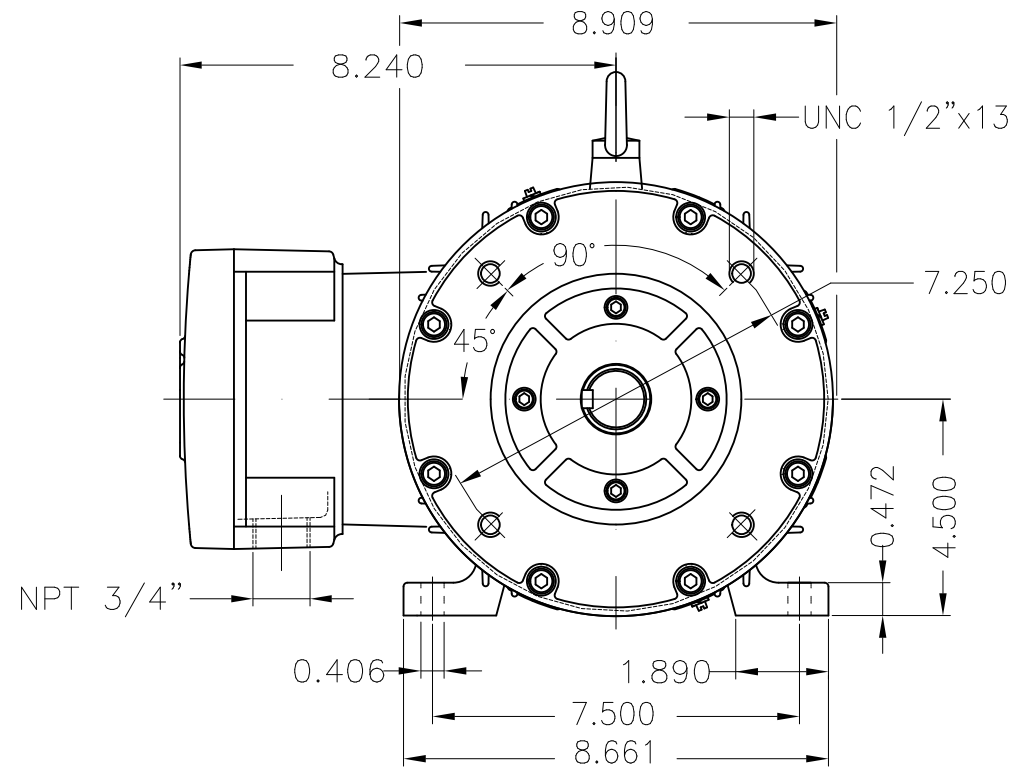


No reproduction of this drawing is allowed without written permission of WEG Motores

EIXO	
PADRÃO	X
OPCIONAL	
ESPECIAL	

Dimensões em polegada  
Dimensions in inches

THIS IS AN UPDATED REVISION, THE PREVIOUS ONE MUST BE DISREGARDED.



Color RAL 5009  
Painting plan 202P  
Mounting B34R(D)

ECM	LOC	SUMMARY OF MODIFICATIONS	EXECUTED	CHECKED	RELEASED	DATE	VER
EXECUTED	USERADMIN	THREE-PHASE EXPLOSION PROOF MOTOR					
CHECKED		FRAME 182/4TC IP55 TEFC					
RELEASED		WEG code: 14337969					
REL DT	17.02.2022	WMO Jaragua do Sul	Product Engineering	SHEET	1 / 1		

3 HP 04 Poles 60Hz

A



ZME A3

# DATA SHEET



## Three Phase Induction Motor - Squirrel Cage

Customer :																			
Product line	: W21 Explosion Proof NEMA Premium Efficiency Three-Phase																		
Product code :	14337969																		
Catalog # :	00318XT3E182TC																		
Frame : 182/4TC Output : 3 HP (2.2 kW) Poles : 4 Frequency : 60 Hz Rated voltage : 230/460 V Rated current : 7.82/3.91 A L. R. Amperes : 62.6/31.3 A LRC : 8.0x(Code K) No load current : 4.20/2.10 A Rated speed : 1760 rpm Slip : 2.22 % Rated torque : 8.95 ft.lb Locked rotor torque : 250 % Breakdown torque : 320 % Insulation class : F Service factor : 1.15 Moment of inertia (J) : 0.2781 sq.ft.lb Design : B	Locked rotor time : 50s (cold) 28s (hot) Temperature rise : 80 K Duty cycle : Cont.(S1) Ambient temperature : -20°C to +40°C Altitude : 1000 m.a.s.l. Protection degree : IP55 Cooling method : IC411 - TEFC Mounting : F-1 Rotation <sup>1</sup> : Both (CW and CCW) Noise level <sup>2</sup> : 56.0 dB(A) Starting method : Direct On Line Approx. weight <sup>3</sup> : 126 lb																		
Output	25%    50%    75%    100%																		
Efficiency (%)	86.4    87.5    88.5    89.5																		
Power Factor	0.35    0.59    0.71    0.79																		
Foundation loads																			
Max. traction : 138 lb																			
Max. compression : 264 lb																			
	<table border="0"> <tr> <td></td> <td style="text-align: center;"><u>Drive end</u></td> <td style="text-align: center;"><u>Non drive end</u></td> </tr> <tr> <td>Bearing type :</td> <td style="text-align: center;">6307 2RS</td> <td style="text-align: center;">6206 2RS</td> </tr> <tr> <td>Sealing :</td> <td style="text-align: center;">Oil Seal</td> <td style="text-align: center;">Lip Seal</td> </tr> <tr> <td>Lubrication interval :</td> <td style="text-align: center;">-</td> <td style="text-align: center;">-</td> </tr> <tr> <td>Lubricant amount :</td> <td style="text-align: center;">-</td> <td style="text-align: center;">-</td> </tr> <tr> <td>Lubricant type :</td> <td colspan="2" style="text-align: center;">Mobil Polyrex EM</td> </tr> </table>		<u>Drive end</u>	<u>Non drive end</u>	Bearing type :	6307 2RS	6206 2RS	Sealing :	Oil Seal	Lip Seal	Lubrication interval :	-	-	Lubricant amount :	-	-	Lubricant type :	Mobil Polyrex EM	
	<u>Drive end</u>	<u>Non drive end</u>																	
Bearing type :	6307 2RS	6206 2RS																	
Sealing :	Oil Seal	Lip Seal																	
Lubrication interval :	-	-																	
Lubricant amount :	-	-																	
Lubricant type :	Mobil Polyrex EM																		
Notes USABLE @208V 8.65A SF 1.15 SFA 9.94A																			
This revision replaces and cancel the previous one, which must be eliminated. (1) Looking the motor from the shaft end. (2) Measured at 1m and with tolerance of +3dB(A). (3) Approximate weight subject to changes after manufacturing process. (4) At 100% of full load.																			
These are average values based on tests with sinusoidal power supply, subject to the tolerances stipulated in NEMA MG-1.																			
Rev.	Changes Summary	Performed	Checked	Date															
Performed by																			
Checked by			Page	Revision															
Date	17/02/2022		1 / 2																

# DATA SHEET

## Three Phase Induction Motor - Squirrel Cage



Customer : \_\_\_\_\_

### Thermal protection

ID	Application	Type	Quantity	Sensing Temperature
1	Winding	Thermostat - 2 wires	1 x Phase	155 °C

Rev.	Changes Summary	Performed	Checked	Date
Performed by				
Checked by			Page	Revision
Date	17/02/2022		2 / 2	

MADE IN BRAZIL


**W21X NEMA**  
**Premium**

14337969



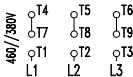
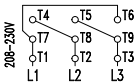
LISTED

CC029A

*Inverter Duty Motor*  
*Severe Duty*

MODEL 00318XT3E182TC

PH 3	FR 182/4TC		
HP(kW) 3.0(2.2)		HZ 60	IP55
V 230/460		A 7.82/3.91	
RPM 1760		NEMA NOM EFF 89.5%	
PF 0.79		SFA 8.99/4.50	DES B
INS CL F $\Delta$ T 80 K		SF 1.15	ENCL TEFC
DUTY CONT.		CODE K	ALT 1000 m.a.s.l.
AMB 40°C	USABLE @208V	8.65 A	SF 1.15 SFA 9.95
AMB 55°C SF1.0			
3.0HP 2.2kW 50Hz 380V 4.60A 1440RPM SF1.00 EFF 87.5% (IE3)			



→ 6307-2RS MOBIL POLYREX EM  
 → 6206-2RS

126 Lbs



TEMP CODE T3C  
 CSA/UL: Class I - Div. 1 - Groups C and D  
 CSA: Class II - Div. 1 - Groups F and G  
 CSA: Class I - Zone 1 - IIB

EXPLOSION PROOF MOTOR

FOR USE ON VPWM VFD 1000:1VT, 20:1CT, 1.0SF, T3C, AMB 40°C.