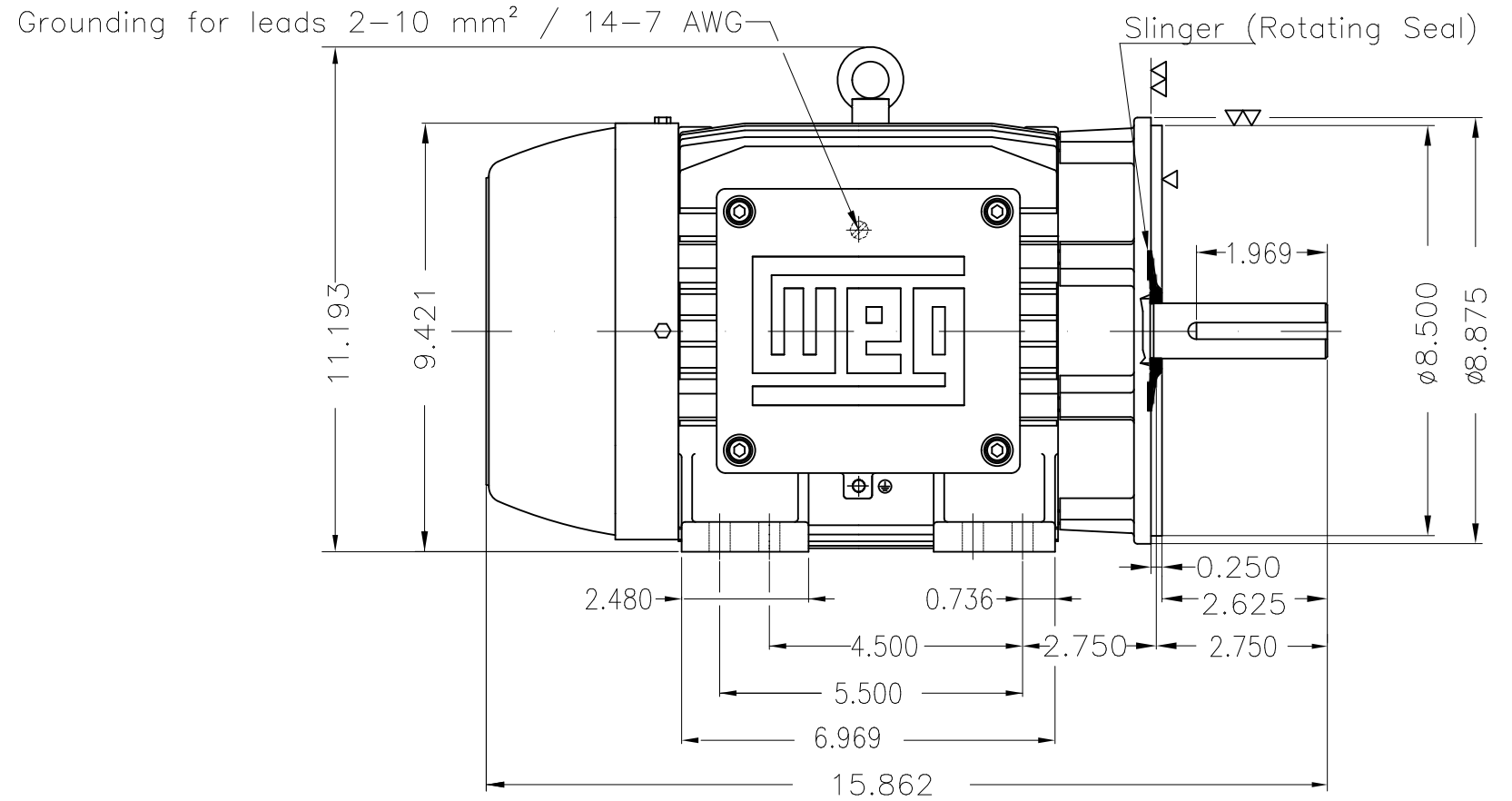
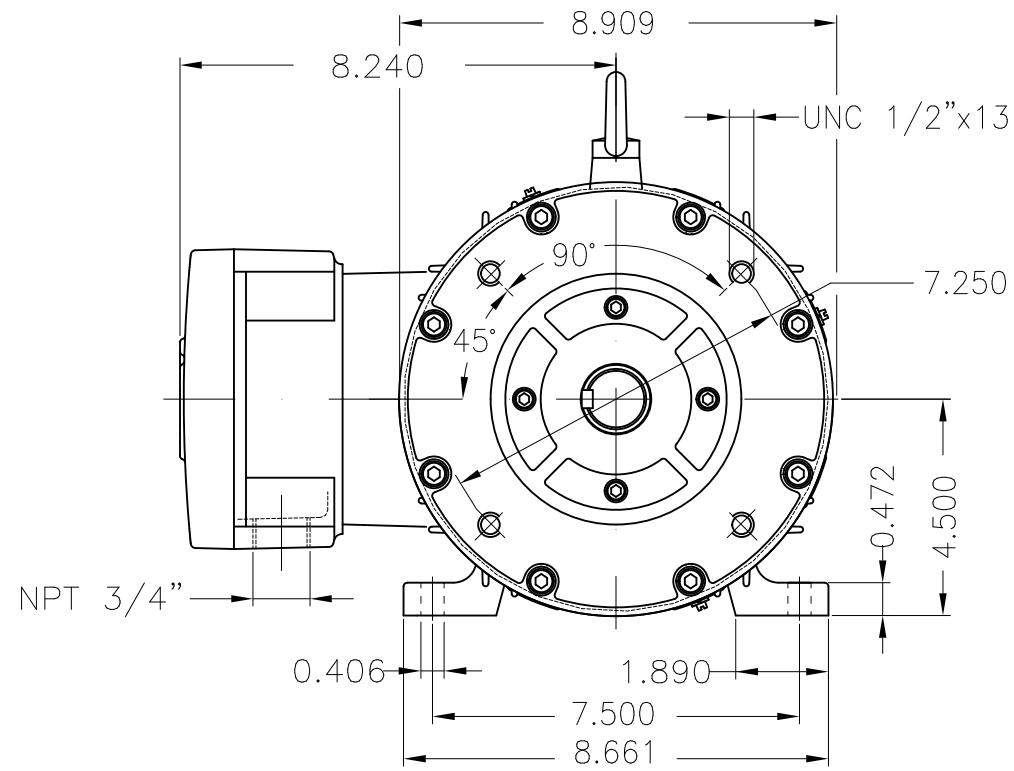


No reproduction of this drawing is allowed without written permission of WEG Motores

EIXO	
PADRÃO	X
OPCIONAL	
ESPECIAL	

Dimensões em polegada  
Dimensions in inches

THIS IS AN UPDATED REVISION, THE PREVIOUS ONE MUST BE DISREGARDED.



Color RAL 5009  
Painting plan 202P  
Mounting B34R(D)

ECM	LOC	SUMMARY OF MODIFICATIONS	EXECUTED	CHECKED	RELEASED	DATE	VER
EXECUTED	USERADMIN	THREE-PHASE EXPLOSION PROOF MOTOR					
CHECKED		FRAME 182/4TC IP55 TEFC					
RELEASED		WEG code: 14212540					
REL DT	17.02.2022	WMO Jaragua do Sul	Product Engineering	SHEET	1 / 1		

3 HP 02 Poles 60Hz

A



ZME A3

# DATA SHEET



## Three Phase Induction Motor - Squirrel Cage

Customer :																			
Product line	: W21 Explosion Proof NEMA Premium Efficiency Three-Phase																		
Product code :	14212540																		
Catalog # :	00336XT3E182TC																		
Frame : 182/4TC Output : 3 HP (2.2 kW) Poles : 2 Frequency : 60 Hz Rated voltage : 230/460 V Rated current : 7.52/3.76 A L. R. Amperes : 63.2/31.6 A LRC : 8.4x(Code K) No load current : 2.80/1.40 A Rated speed : 3510 rpm Slip : 2.50 % Rated torque : 4.49 ft.lb Locked rotor torque : 250 % Breakdown torque : 400 % Insulation class : F Service factor : 1.15 Moment of inertia (J) : 0.1471 sq.ft.lb Design : B	Locked rotor time : 54s (cold) 30s (hot) Temperature rise : 80 K Duty cycle : Cont.(S1) Ambient temperature : -20°C to +40°C Altitude : 1000 m.a.s.l. Protection degree : IP55 Cooling method : IC411 - TEFC Mounting : F-1 Rotation <sup>1</sup> : Both (CW and CCW) Noise level <sup>2</sup> : 69.0 dB(A) Starting method : Direct On Line Approx. weight <sup>3</sup> : 125 lb																		
Output	25%    50%    75%    100%																		
Efficiency (%)	81.3    82.5    85.5    86.5																		
Power Factor	0.48    0.73    0.81    0.85																		
Foundation loads																			
Max. traction : 65 lb																			
Max. compression : 191 lb																			
	<table border="0"> <tr> <td></td> <td style="text-align: center;"><u>Drive end</u></td> <td style="text-align: center;"><u>Non drive end</u></td> </tr> <tr> <td>Bearing type :</td> <td style="text-align: center;">6307 2RS</td> <td style="text-align: center;">6206 2RS</td> </tr> <tr> <td>Sealing :</td> <td style="text-align: center;">Oil Seal</td> <td style="text-align: center;">Lip Seal</td> </tr> <tr> <td>Lubrication interval :</td> <td style="text-align: center;">-</td> <td style="text-align: center;">-</td> </tr> <tr> <td>Lubricant amount :</td> <td style="text-align: center;">-</td> <td style="text-align: center;">-</td> </tr> <tr> <td>Lubricant type :</td> <td colspan="2" style="text-align: center;">Mobil Polyrex EM</td> </tr> </table>		<u>Drive end</u>	<u>Non drive end</u>	Bearing type :	6307 2RS	6206 2RS	Sealing :	Oil Seal	Lip Seal	Lubrication interval :	-	-	Lubricant amount :	-	-	Lubricant type :	Mobil Polyrex EM	
	<u>Drive end</u>	<u>Non drive end</u>																	
Bearing type :	6307 2RS	6206 2RS																	
Sealing :	Oil Seal	Lip Seal																	
Lubrication interval :	-	-																	
Lubricant amount :	-	-																	
Lubricant type :	Mobil Polyrex EM																		
Notes USABLE @208V 8.32A SF 1.15 SFA 9.56A																			
This revision replaces and cancel the previous one, which must be eliminated. (1) Looking the motor from the shaft end. (2) Measured at 1m and with tolerance of +3dB(A). (3) Approximate weight subject to changes after manufacturing process. (4) At 100% of full load.																			
These are average values based on tests with sinusoidal power supply, subject to the tolerances stipulated in NEMA MG-1.																			
Rev.	Changes Summary	Performed	Checked	Date															
Performed by																			
Checked by			Page	Revision															
Date	17/02/2022		1 / 2																

# DATA SHEET

## Three Phase Induction Motor - Squirrel Cage



Customer : \_\_\_\_\_

### Thermal protection

ID	Application	Type	Quantity	Sensing Temperature
1	Winding	Thermostat - 2 wires	1 x Phase	155 °C

Rev.	Changes Summary	Performed	Checked	Date
Performed by		Page 2 / 2		Revision
Checked by				
Date	17/02/2022			

MADE IN BRAZIL

**W21X NEMA**  
**Premium**

14212540



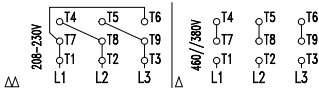
LISTED

CC029A

*Inverter Duty Motor*  
*Severe Duty*

MODEL 00336XT3E182TC

PH 3	FR 182/4TC		
HP(kW) 3.0(2.2)		HZ 60	IP55
V 230/460		A 7.52/3.76	
RPM 3510		NEMA NOM EFF 86.5%	
PF 0.85		SFA 8.65/4.32	DES B
INS CL F $\Delta$ T 80 K		SF 1.15	ENCL TEFC
DUTY CONT.		CODE K	ALT 1000 m.a.s.l.
AMB 40°C	USABLE @208V	8.32 A	SF 1.15 SFA 9.57
AMB 55°C SF1.0			
3.0HP 2.2kW 50Hz 380V 4.44A 2880RPM SF1.00 EFF 85.5% (IE2)			



→ 6307-2RS MOBIL POLYREX EM  
→ 6206-2RS

126 Lbs



TEMP CODE T3C  
CSA/UL: Class I - Div. 1 - Groups C and D  
CSA: Class II - Div. 1 - Groups F and G  
CSA: Class I - Zone 1 - IIB

EXPLOSION PROOF MOTOR

FOR USE ON VPWM VFD 1000:1VT, 20:1CT, 1.0SF, T3C, AMB 40°C.