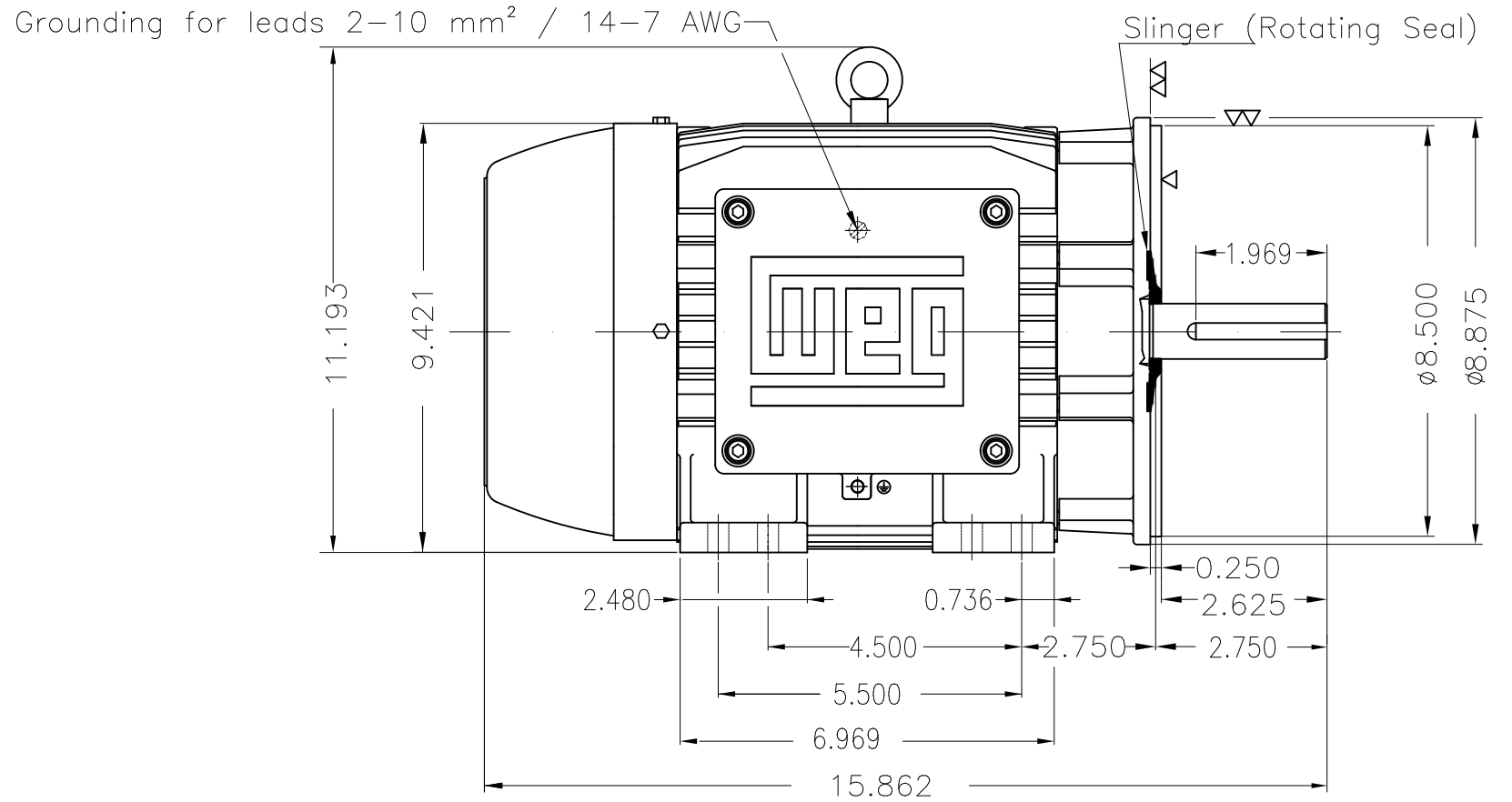
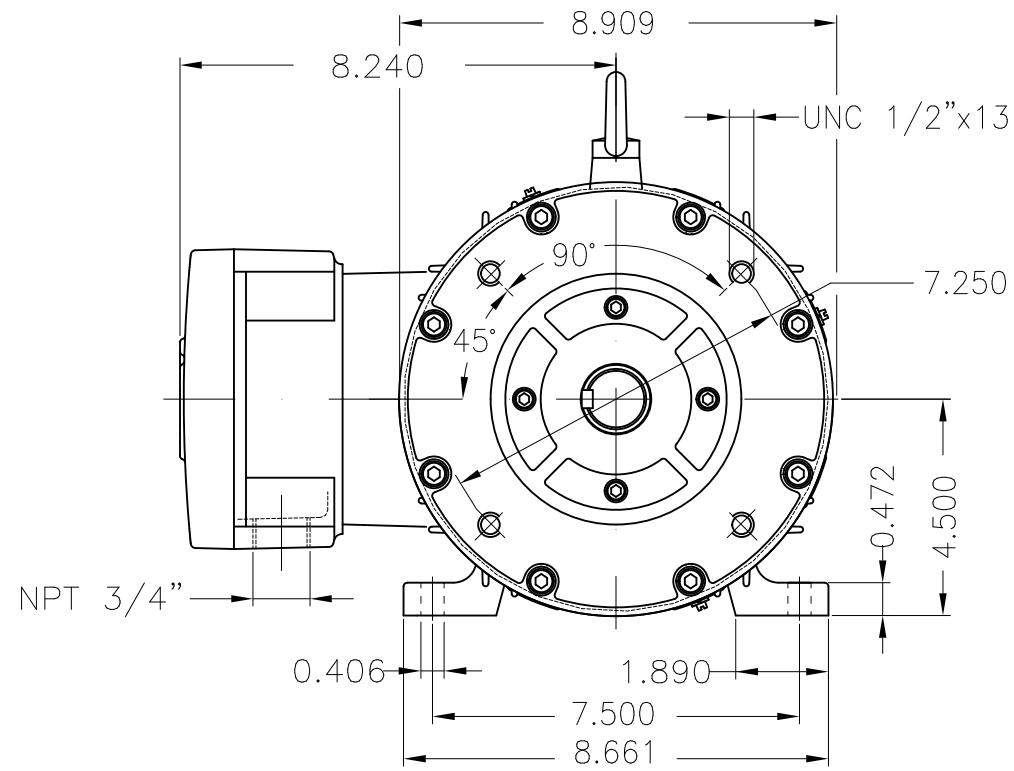


No reproduction of this drawing is allowed without written permission of WEG Motores

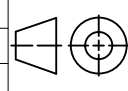
EIXO	
PADRÃO	X
OPCIONAL	
ESPECIAL	

Dimensões em polegada
Dimensions in inches

THIS IS AN UPDATED REVISION, THE PREVIOUS ONE MUST BE DISREGARDED.



Color RAL 5009
Painting plan 202P
Mounting B34R(D)

ECM	LOC	SUMMARY OF MODIFICATIONS			EXECUTED	CHECKED	RELEASED	DATE	VER
EXECUTED	USERADMIN		THREE-PHASE EXPLOSION PROOF MOTOR						
CHECKED			FRAME 182/4TC IP55 TEFC						
RELEASED			WEG code: 14284314						
REL DT	17.02.2022	WMO	Jaragua do Sul	Product Engineering	SHEET	1 / 1			

5 HP 02 Poles 60Hz

A



ZME A3

DATA SHEET



Three Phase Induction Motor - Squirrel Cage

Customer :				
Product line	: W21 Explosion Proof NEMA Premium Efficiency Three-Phase			
Product code :	14284314			
Catalog # :	00536XT3E184TC			
Frame : 182/4TC Output : 5 HP (3.7 kW) Poles : 2 Frequency : 60 Hz Rated voltage : 230/460 V Rated current : 12.2/6.10 A L. R. Amperes : 91.5/45.7 A LRC : 7.5x(Code J) No load current : 4.40/2.20 A Rated speed : 3490 rpm Slip : 3.06 % Rated torque : 7.52 ft.lb Locked rotor torque : 250 % Breakdown torque : 380 % Insulation class : F Service factor : 1.15 Moment of inertia (J) : 0.1889 sq.ft.lb Design : B	Locked rotor time : 46s (cold) 26s (hot) Temperature rise : 80 K Duty cycle : Cont.(S1) Ambient temperature : -20°C to +40°C Altitude : 1000 m.a.s.l. Protection degree : IP55 Cooling method : IC411 - TEFC Mounting : F-1 Rotation ¹ : Both (CW and CCW) Noise level ² : 69.0 dB(A) Starting method : Direct On Line Approx. weight ³ : 134 lb			
Output	25% 50% 75% 100%			
Efficiency (%)	84.3 85.5 87.5 88.5			
Power Factor	0.47 0.70 0.81 0.86			
Foundation loads				
Max. traction	: 131 lb			
Max. compression	: 265 lb			
Bearing type	: <u>Drive end</u> 6307 2RS <u>Non drive end</u> 6206 2RS			
Sealing	: Oil Seal Lip Seal			
Lubrication interval	: - -			
Lubricant amount	: - -			
Lubricant type	: Mobil Polyrex EM			
Notes USABLE @208V 13.5A SF 1.15 SFA 15.5A				
This revision replaces and cancel the previous one, which must be eliminated. (1) Looking the motor from the shaft end. (2) Measured at 1m and with tolerance of +3dB(A). (3) Approximate weight subject to changes after manufacturing process. (4) At 100% of full load.				
These are average values based on tests with sinusoidal power supply, subject to the tolerances stipulated in NEMA MG-1.				
Rev.	Changes Summary	Performed	Checked	Date
Performed by				
Checked by			Page	Revision
Date	17/02/2022		1 / 2	

DATA SHEET

Three Phase Induction Motor - Squirrel Cage



Customer : _____

Thermal protection

ID	Application	Type	Quantity	Sensing Temperature
1	Winding	Thermostat - 2 wires	1 x Phase	155 °C

Rev.	Changes Summary	Performed	Checked	Date
Performed by				
Checked by			Page	Revision
Date	17/02/2022		2 / 2	

MADE IN BRAZIL

**W21X NEMA**
Premium

14284314



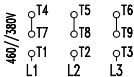
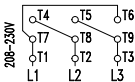
LISTED

CC029A

Inverter Duty Motor
Severe Duty

MODEL 00536XT3E184TC

PH 3	FR 182/4TC		
HP(kW) 5.0(3.7)		HZ 60	IP55
V 230/460		A 12.2/6.10	
RPM 3490		NEMA NOM EFF 88.5%	
PF 0.86		SFA 14.0/7.01	DES B
INS CL F Δ T 80 K		SF 1.15	ENCL TEFC
DUTY CONT.		CODE J	ALT 1000 m.a.s.l.
AMB 40°C	USABLE @208V	13.5 A	SF 1.15 SFA 15.5
AMB 55°C SF1.0			
5.0HP 3.7kW 50Hz 380V 7.30A 2850RPM SF1.00 EFF 86.5% (IE2)			



→ 6307-2RS MOBIL POLYREX EM
→ 6206-2RS

134 Lbs



TEMP CODE T3C
CSA/UL: Class I - Div. 1 - Groups C and D
CSA: Class II - Div. 1 - Groups F and G
CSA: Class I - Zone 1 - IIB

EXPLOSION PROOF MOTOR

FOR USE ON VPWM VFD 1000:1VT, 20:1CT, 1.0SF, T3C, AMB 40°C.