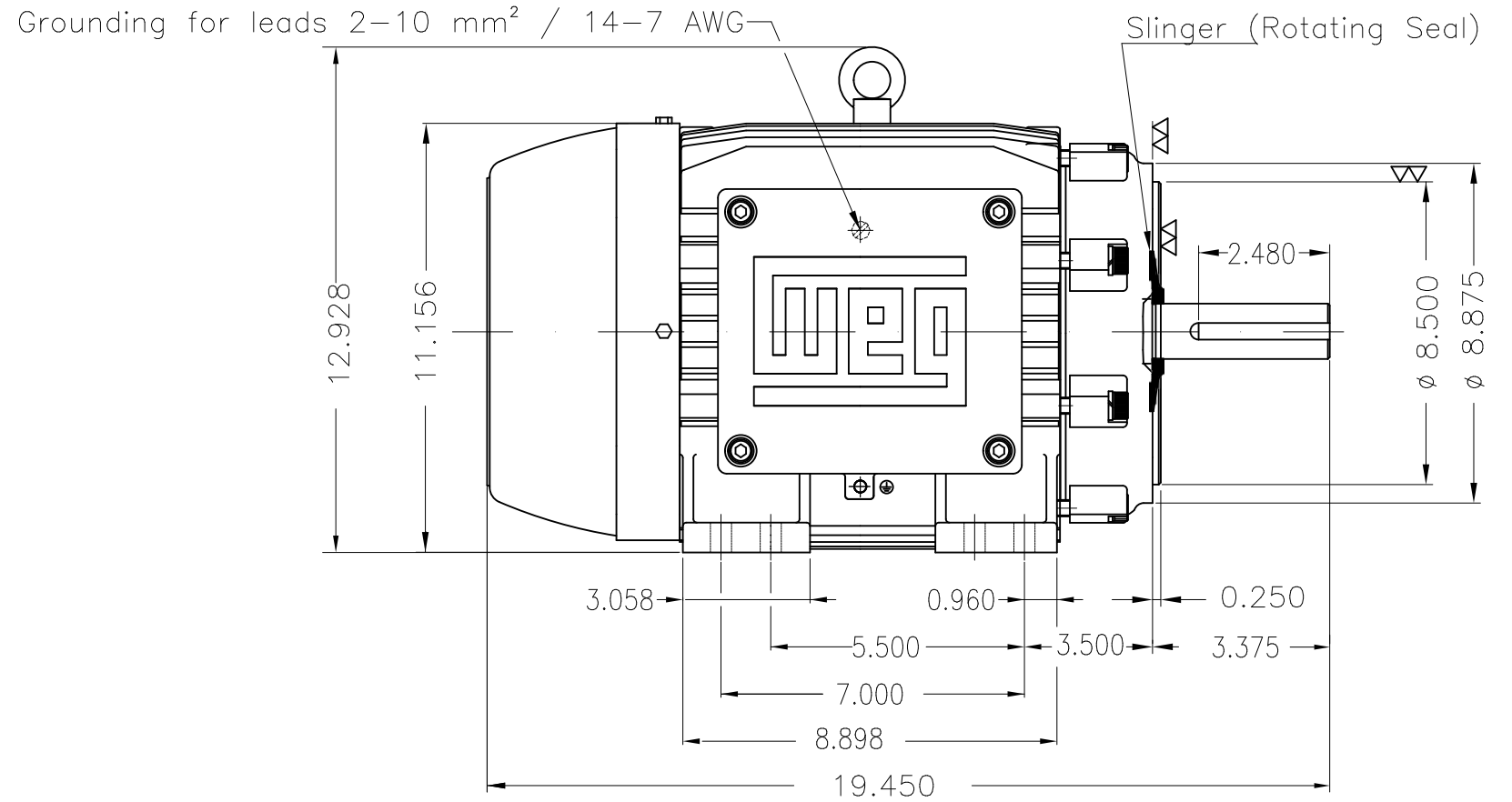
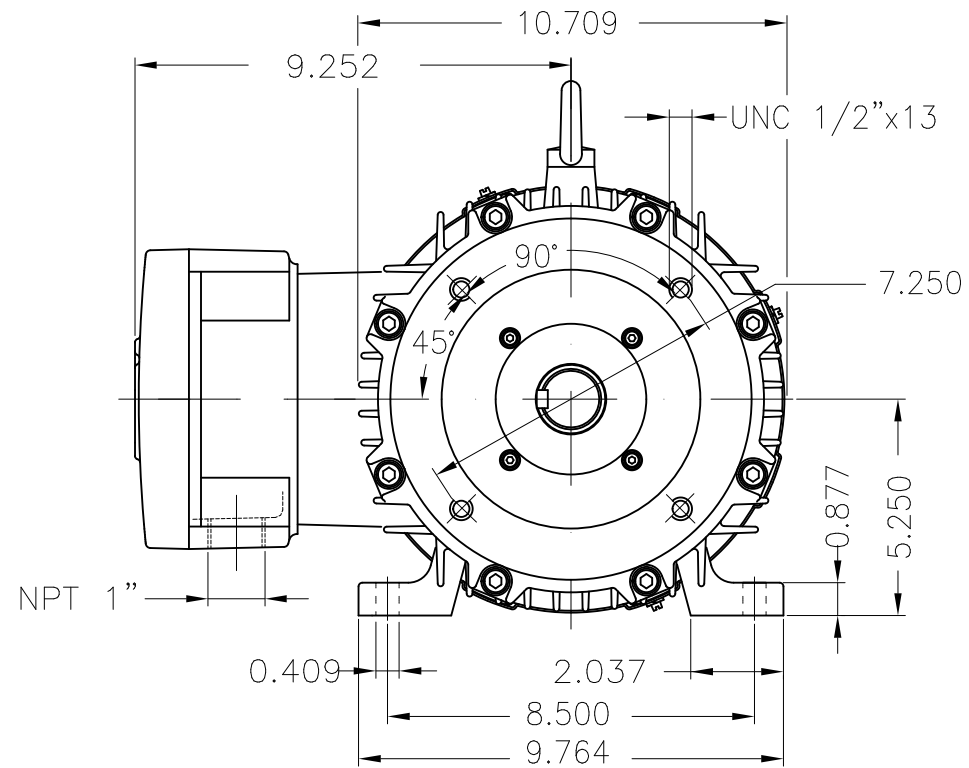


No reproduction of this drawing is allowed without written permission of WEG Motores

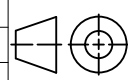
EIXO	
PADRÃO	X
OPCIONAL	
ESPECIAL	

Dimensões em polegada
Dimensions in inches

THIS IS AN UPDATED REVISION, THE PREVIOUS ONE MUST BE DISREGARDED.



Color RAL 5009
Painting plan 202P
Mounting B34R(D)

ECM	LOC	SUMMARY OF MODIFICATIONS	EXECUTED	CHECKED	RELEASED	DATE	VER
EXECUTED	USERADMIN	 THREE-PHASE EXPLOSION PROOF MOTOR FRAME 213/5TC IP55 TEFC WEG code: 14578495					
CHECKED							
RELEASED							
REL DT	17.02.2022	WMO Jaragua do Sul	Product Engineering	SHEET	1 / 1		

7.5 HP 04 Poles 60Hz

A

DATA SHEET



Three Phase Induction Motor - Squirrel Cage

Customer :																			
Product line	: W21 Explosion Proof NEMA Premium Efficiency Three-Phase																		
Product code :	14578495																		
Catalog # :	00718XT3E213TC																		
Frame : 213/5TC Output : 7.5 HP (5.5 kW) Poles : 4 Frequency : 60 Hz Rated voltage : 230/460 V Rated current : 18.8/9.41 A L. R. Amperes : 126/63.0 A LRC : 6.7x(Code H) No load current : 8.00/4.00 A Rated speed : 1765 rpm Slip : 1.94 % Rated torque : 22.3 ft.lb Locked rotor torque : 240 % Breakdown torque : 280 % Insulation class : F Service factor : 1.15 Moment of inertia (J) : 1.38 sq.ft.lb Design : B	Locked rotor time : 21s (cold) 12s (hot) Temperature rise : 80 K Duty cycle : Cont.(S1) Ambient temperature : -20°C to +40°C Altitude : 1000 m.a.s.l. Protection degree : IP55 Cooling method : IC411 - TEFC Mounting : F-1 Rotation ¹ : Both (CW and CCW) Noise level ² : 58.0 dB(A) Starting method : Direct On Line Approx. weight ³ : 217 lb																		
Output	25% 50% 75% 100%																		
Efficiency (%)	89.4 90.2 91.0 91.7																		
Power Factor	0.38 0.60 0.73 0.80																		
Foundation loads																			
Max. traction : 301 lb																			
Max. compression : 518 lb																			
	<table border="0"> <tr> <td></td> <td style="text-align: center;"><u>Drive end</u></td> <td style="text-align: center;"><u>Non drive end</u></td> </tr> <tr> <td>Bearing type :</td> <td style="text-align: center;">6308 2RS</td> <td style="text-align: center;">6207 2RS</td> </tr> <tr> <td>Sealing :</td> <td style="text-align: center;">Oil Seal</td> <td style="text-align: center;">Lip Seal</td> </tr> <tr> <td>Lubrication interval :</td> <td style="text-align: center;">-</td> <td style="text-align: center;">-</td> </tr> <tr> <td>Lubricant amount :</td> <td style="text-align: center;">-</td> <td style="text-align: center;">-</td> </tr> <tr> <td>Lubricant type :</td> <td colspan="2" style="text-align: center;">Mobil Polyrex EM</td> </tr> </table>		<u>Drive end</u>	<u>Non drive end</u>	Bearing type :	6308 2RS	6207 2RS	Sealing :	Oil Seal	Lip Seal	Lubrication interval :	-	-	Lubricant amount :	-	-	Lubricant type :	Mobil Polyrex EM	
	<u>Drive end</u>	<u>Non drive end</u>																	
Bearing type :	6308 2RS	6207 2RS																	
Sealing :	Oil Seal	Lip Seal																	
Lubrication interval :	-	-																	
Lubricant amount :	-	-																	
Lubricant type :	Mobil Polyrex EM																		
Notes USABLE @208V 20.8A SF 1.15 SFA 23.9A																			
This revision replaces and cancel the previous one, which must be eliminated. (1) Looking the motor from the shaft end. (2) Measured at 1m and with tolerance of +3dB(A). (3) Approximate weight subject to changes after manufacturing process. (4) At 100% of full load.																			
These are average values based on tests with sinusoidal power supply, subject to the tolerances stipulated in NEMA MG-1.																			
Rev.	Changes Summary	Performed	Checked	Date															
Performed by																			
Checked by			Page	Revision															
Date	17/02/2022		1 / 2																

DATA SHEET

Three Phase Induction Motor - Squirrel Cage



Customer : _____

Thermal protection

ID	Application	Type	Quantity	Sensing Temperature
1	Winding	Thermostat - 2 wires	1 x Phase	155 °C

Rev.	Changes Summary	Performed	Checked	Date
Performed by				
Checked by			Page	Revision
Date	17/02/2022		2 / 2	

MADE IN BRAZIL


W21X NEMA
Premium

14578495



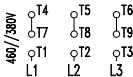
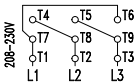
LISTED

CC029A

Inverter Duty Motor
Severe Duty

MODEL 00718XT3E213TC

PH 3	FR 213/5TC		
HP(kW) 7.5(5.5)		HZ 60	IP55
V 230/460		A 18.8/9.41	
RPM 1765		NEMA NOM EFF 91.7%	
PF 0.80		SFA 21.6/10.8	DES B
INS CL F Δ T 80 K		SF 1.15	ENCL TEFC
DUTY CONT.		CODE H	ALT 1000 m.a.s.l.
AMB 40°C	USABLE @208V	20.8 A	SF 1.15 SFA 23.9
AMB 55°C SF1.0			
7.5HP 5.5kW 50Hz 380V 11.2A 1460RPM SF1.00 EFF 89.5% (IE2)			



→ 6308-2RS MOBIL POLYREX EM
 → 6207-2RS

212 Lbs



TEMP CODE T3C
 CSA/UL: Class I - Div. 1 - Groups C and D
 CSA: Class II - Div. 1 - Groups F and G
 CSA: Class I - Zone 1 - IIB

EXPLOSION PROOF MOTOR

FOR USE ON VPWM VFD 1000:1VT, 20:1CT, 1.0SF, T3C, AMB 40°C.