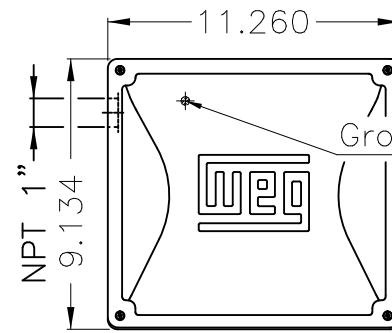


No reproduction of this drawing is allowed without written permission of WEG Motores

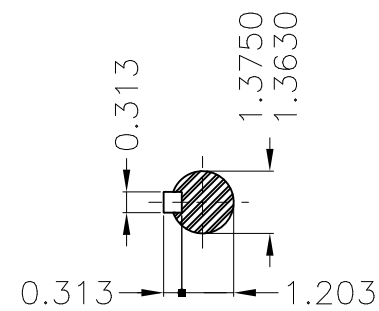
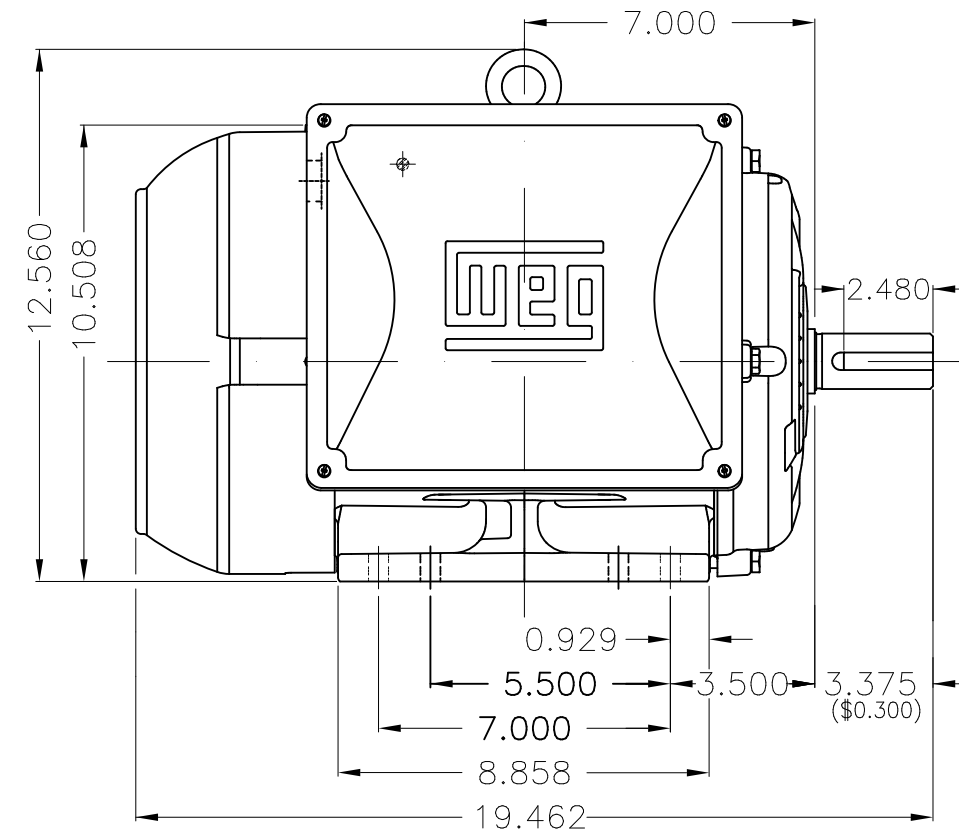
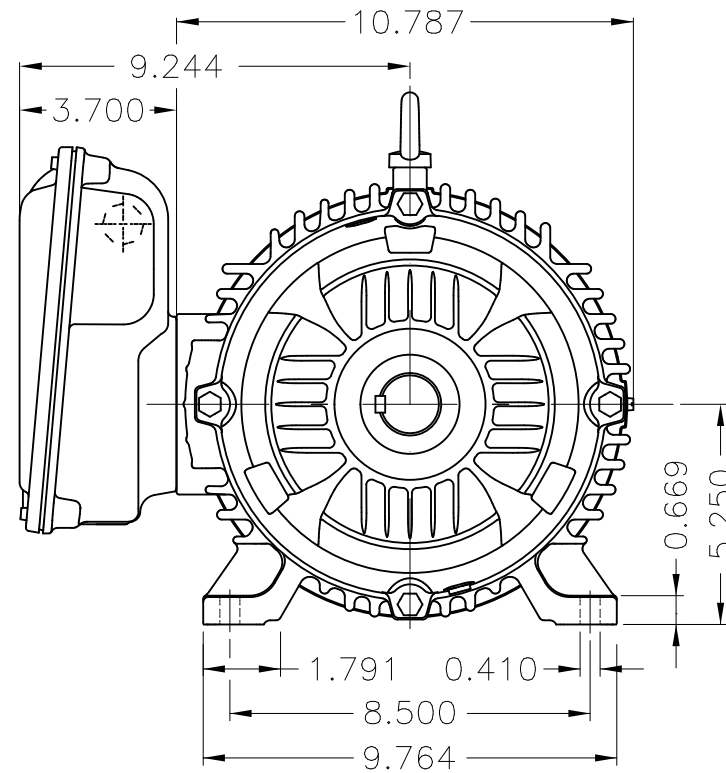
EIXO	
PADRÃO	X
OPCIONAL	
ESPECIAL	

THIS IS AN UPDATED REVISION, THE PREVIOUS ONE MUST BE DISREGARDED.



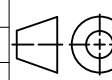
Grounding for leads 2-10 mm<sup>2</sup> / 14-7 AWG

Main terminal box



DE Shaft End

Mounting B3R(D)

ECM	LOC	SUMMARY OF MODIFICATIONS			EXECUTED	CHECKED	RELEASED	DATE	VER
EXECUTED	USERADMIN	 SINGLE PHASE MOTOR W22 NEMA FRAME 213/5T IP55 TEFC WEG code: 14154360							
CHECKED									
RELEASED									
REL DT	15.02.2022		WMO	Jaragua do Sul	Product Engineering	SHEET	1 / 1		

10 HP 04 Poles 60Hz

A



ZME A3

# DATA SHEET



## Single Phase Induction Motor - Squirrel Cage

Customer :																			
Product line : W22 Single-Phase	Product code : 14154360 Catalog # : 01018ES1E215T-W22																		
Frame : 213/5T Output : 10 HP (7.5 kW) Poles : 4 Frequency : 60 Hz Rated voltage : 208-230/460 V Rated current : 44.5-40.8/20.4 A L. R. Amperes : 298-273/137 A LRC : 6.7x(Code G) No load current : 9.66-11.2/5.60 A Rated speed : 1740 rpm Slip : 3.33 % Rated torque : 30.2 ft.lb Locked rotor torque : 260 % Breakdown torque : 240 % Insulation class : F Service factor : 1.15 Moment of inertia (J) : 1.15 sq.ft.lb	Locked rotor time : 10s (cold) 6s (hot) Temperature rise : 80 K Duty cycle : Cont.(S1) Ambient temperature : -20°C to +40°C Altitude : 1000 m.a.s.l. Protection degree : IP55 Cooling method : IC411 - TEFC Mounting : F-1 Rotation <sup>1</sup> : Both (CW and CCW) Noise level <sup>2</sup> : 63.0 dB(A) Starting method : Direct On Line Approx. weight <sup>3</sup> : 190 lb																		
<table border="1" style="width:100%; border-collapse: collapse;"> <tr> <td>Output</td> <td>25%</td> <td>50%</td> <td>75%</td> <td>100%</td> </tr> <tr> <td>Efficiency (%)</td> <td>76.2</td> <td>77.9</td> <td>82.5</td> <td>84.0</td> </tr> <tr> <td>Power Factor</td> <td>0.66</td> <td>0.92</td> <td>0.94</td> <td>0.95</td> </tr> </table>	Output	25%	50%	75%	100%	Efficiency (%)	76.2	77.9	82.5	84.0	Power Factor	0.66	0.92	0.94	0.95	Foundation loads Max. traction : 313 lb Max. compression : 504 lb			
Output	25%	50%	75%	100%															
Efficiency (%)	76.2	77.9	82.5	84.0															
Power Factor	0.66	0.92	0.94	0.95															
<table border="1" style="width:100%; border-collapse: collapse;"> <tr> <td></td> <td style="text-align:center"><u>Drive end</u></td> <td style="text-align:center"><u>Non drive end</u></td> </tr> <tr> <td>Bearing type :</td> <td style="text-align:center">6308 ZZ</td> <td style="text-align:center">6206 ZZ</td> </tr> <tr> <td>Sealing :</td> <td style="text-align:center">V'Ring</td> <td style="text-align:center">V'Ring</td> </tr> <tr> <td>Lubrication interval :</td> <td style="text-align:center">-</td> <td style="text-align:center">-</td> </tr> <tr> <td>Lubricant amount :</td> <td style="text-align:center">-</td> <td style="text-align:center">-</td> </tr> <tr> <td>Lubricant type :</td> <td colspan="2" style="text-align:center">Mobil Polyrex EM</td> </tr> </table>		<u>Drive end</u>	<u>Non drive end</u>	Bearing type :	6308 ZZ	6206 ZZ	Sealing :	V'Ring	V'Ring	Lubrication interval :	-	-	Lubricant amount :	-	-	Lubricant type :	Mobil Polyrex EM		
	<u>Drive end</u>	<u>Non drive end</u>																	
Bearing type :	6308 ZZ	6206 ZZ																	
Sealing :	V'Ring	V'Ring																	
Lubrication interval :	-	-																	
Lubricant amount :	-	-																	
Lubricant type :	Mobil Polyrex EM																		
Notes																			
This revision replaces and cancel the previous one, which must be eliminated. (1) Looking the motor from the shaft end. (2) Measured at 1m and with tolerance of +3dB(A). (3) Approximate weight subject to changes after manufacturing process. (4) At 100% of full load.	These are average values based on tests with sinusoidal power supply, subject to the tolerances stipulated in NEMA MG-1.																		
Rev.	Changes Summary	Performed	Checked	Date															
Performed by																			
Checked by			Page	Revision															
Date	15/02/2022		1 / 1																