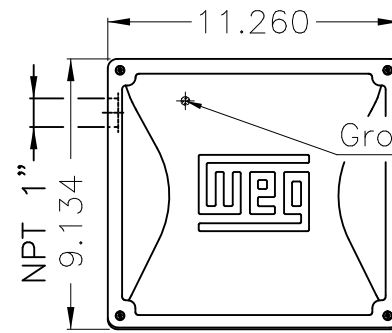


No reproduction of this drawing is allowed without written permission of WEG Motores

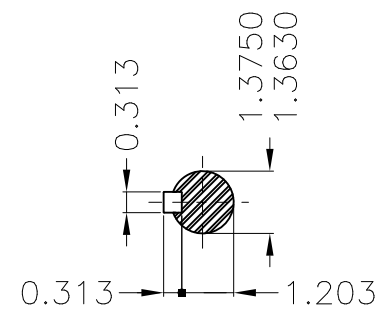
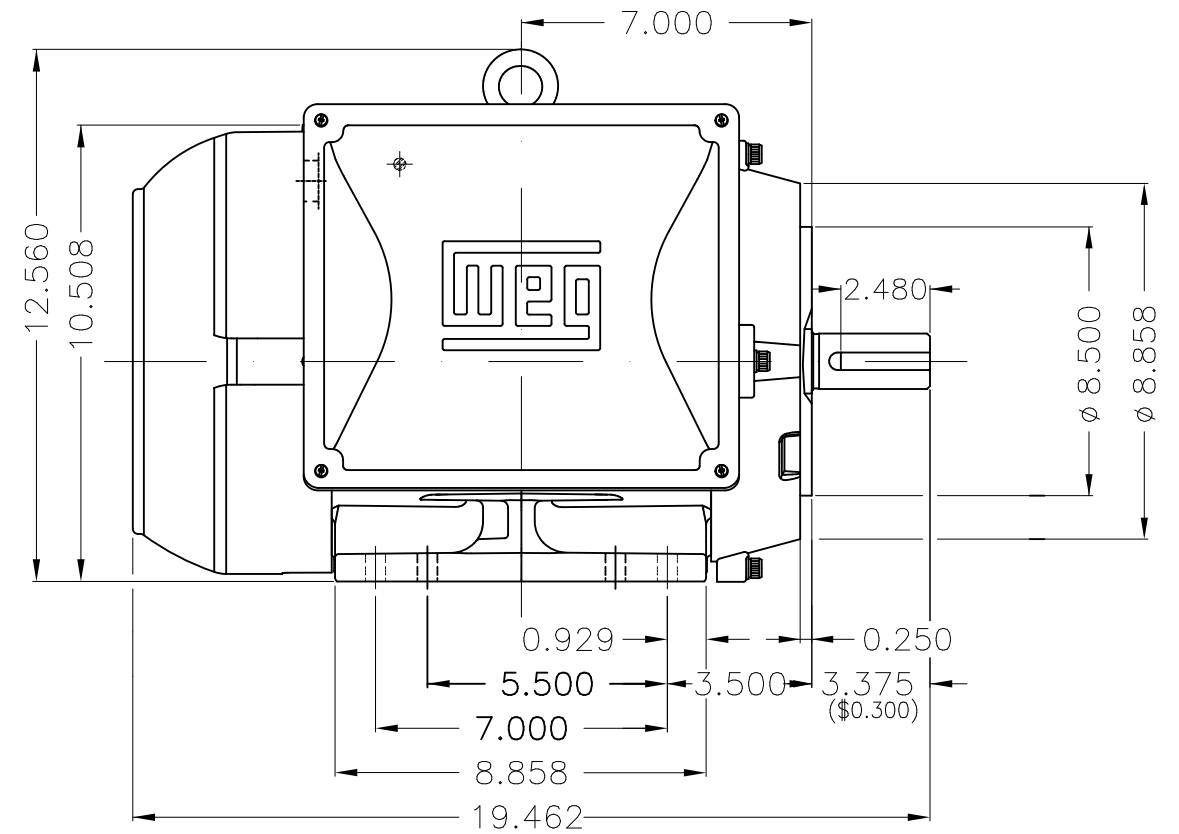
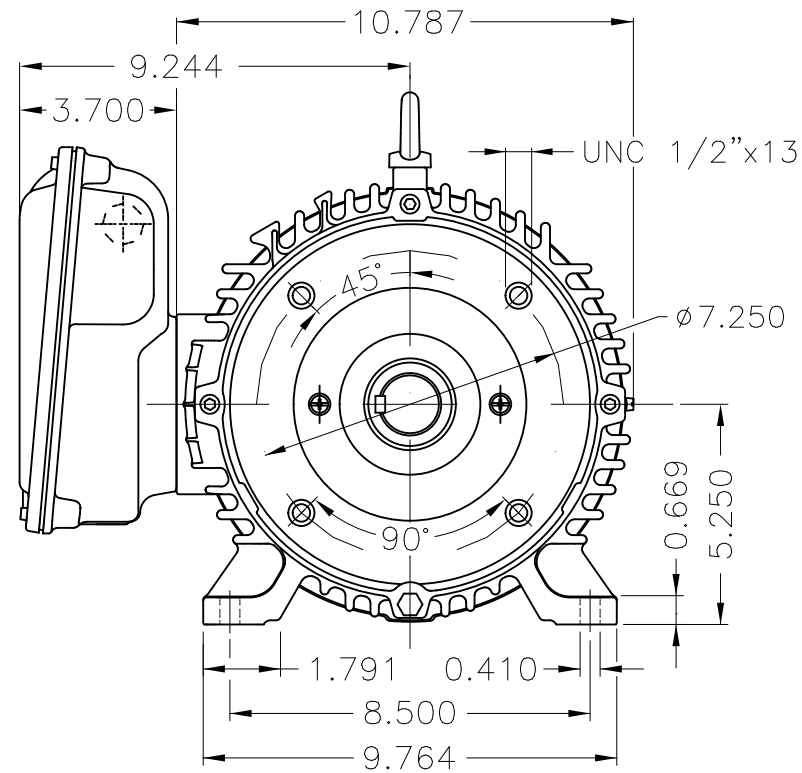
EIXO	
PADRÃO	X
OPCIONAL	
ESPECIAL	

THIS IS AN UPDATED REVISION, THE PREVIOUS ONE MUST BE DISREGARDED.



Grounding for leads 2-10 mm<sup>2</sup> / 14-7 AWG

Main terminal box



DE Shaft End

Bearing cap  
Mounting B34R(D)

ECM	LOC	SUMMARY OF MODIFICATIONS			EXECUTED	CHECKED	RELEASED	DATE	VER
EXECUTED	USERADMIN		SINGLE PHASE MOTOR W22 NEMA						
CHECKED			FRAME 213/5TC IP55 TEFC						
RELEASED			WEG code: 14156744						
REL DT	15.02.2022	WMO	Jaragua do Sul	Product Engineering	SHEET	1 / 1			

12.5 HP 04 Poles 60Hz

A



ZME A3

# DATA SHEET



## Single Phase Induction Motor - Squirrel Cage

Customer :						
Product line : W22 Single-Phase		Product code : 14156744				
		Catalog # : 01218ES1E215TC-W22				
Frame : 213/5TC Output : 12.5 HP (9.2 kW) Poles : 4 Frequency : 60 Hz Rated voltage : 208-230/460 V Rated current : 54.0-54.4/27.2 A L. R. Amperes : 432-435/218 A LRC : 8.0x(Code J) No load current : 23.3-27.0/13.5 A Rated speed : 1740 rpm Slip : 3.33 % Rated torque : 37.7 ft.lb Locked rotor torque : 220 % Breakdown torque : 240 % Insulation class : H Service factor : 1.15 Moment of inertia (J) : 1.29 sq.ft.lb		Locked rotor time : 10s (cold) 6s (hot) Temperature rise : 125 K Duty cycle : Cont.(S1) Ambient temperature : -20°C to +40°C Altitude : 1000 m.a.s.l. Protection degree : IP55 Cooling method : IC411 - TEFC Mounting : F-1 Rotation <sup>1</sup> : Both (CW and CCW) Noise level <sup>2</sup> : 63.0 dB(A) Starting method : Direct On Line Approx. weight <sup>3</sup> : 210 lb				
Output	25%	50%	75%	100%		
Efficiency (%)	75.7	77.0	81.5	82.5		
Power Factor	0.45	0.75	0.84	0.89		
Foundation loads						
Max. traction : 406 lb						
Max. compression : 616 lb						
		<u>Drive end</u>		<u>Non drive end</u>		
Bearing type	:	6308 ZZ		6206 ZZ		
Sealing	:	V'Ring		V'Ring		
Lubrication interval	:	-		-		
Lubricant amount	:	-		-		
Lubricant type	:	Mobil Polyrex EM				
Notes						
This revision replaces and cancel the previous one, which must be eliminated. (1) Looking the motor from the shaft end. (2) Measured at 1m and with tolerance of +3dB(A). (3) Approximate weight subject to changes after manufacturing process. (4) At 100% of full load.			These are average values based on tests with sinusoidal power supply, subject to the tolerances stipulated in NEMA MG-1.			
Rev.	Changes Summary			Performed	Checked	Date
Performed by						
Checked by					Page	Revision
Date	15/02/2022				1 / 1	