

# DATA SHEET

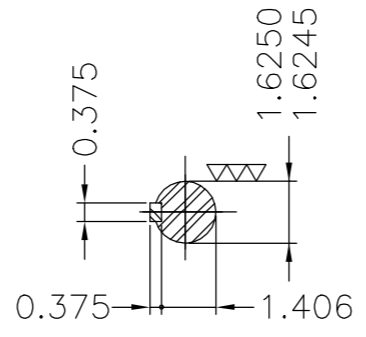
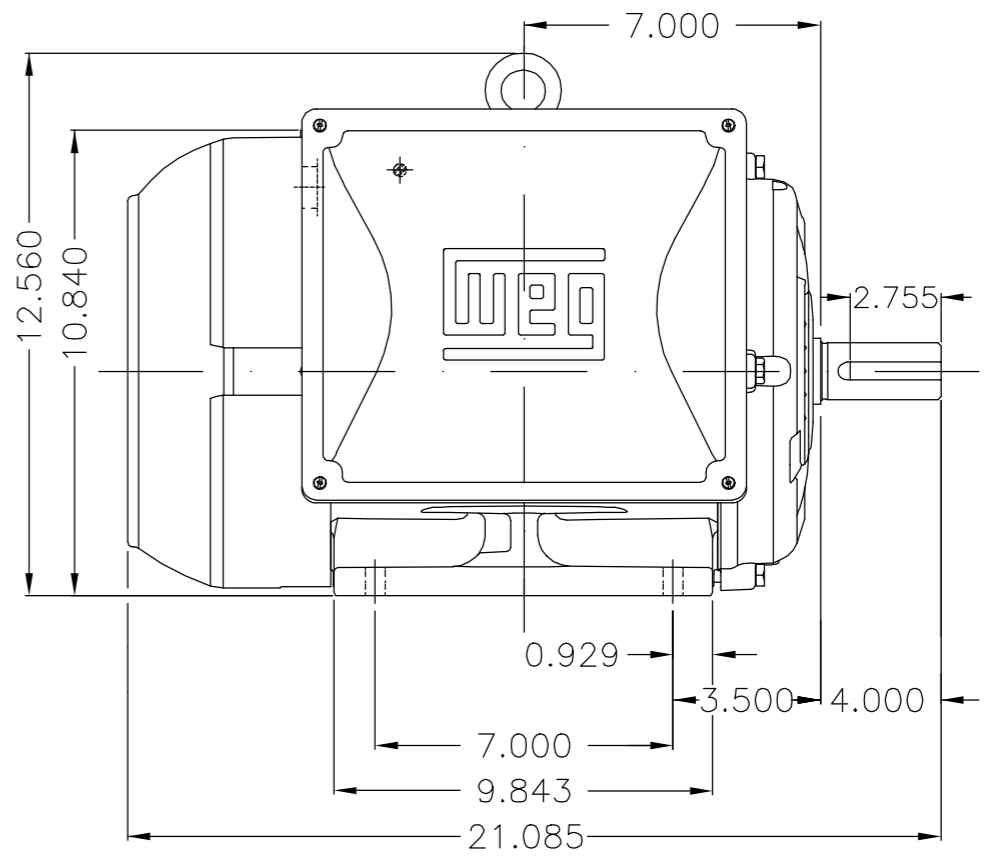
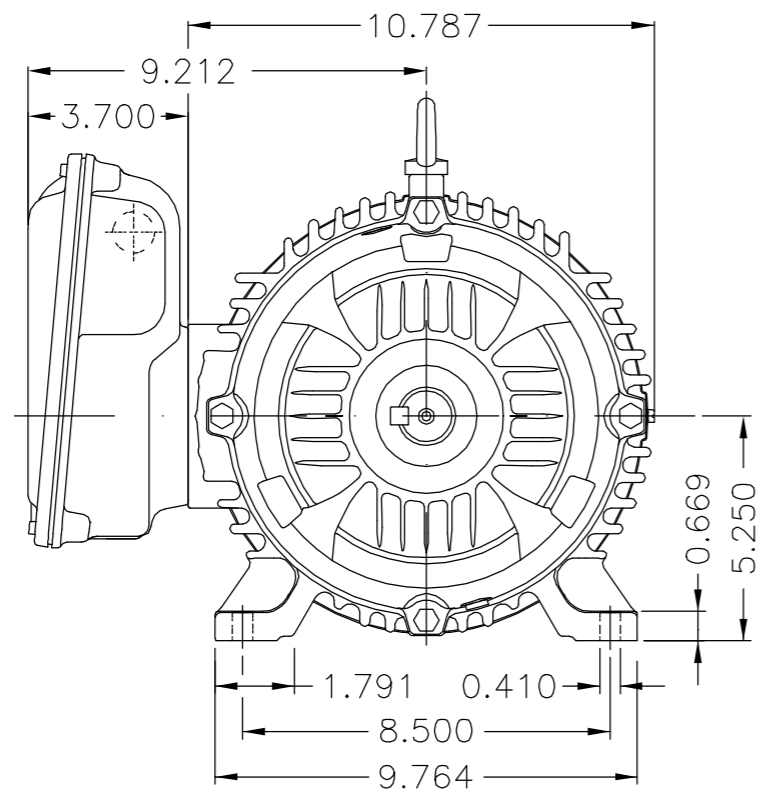
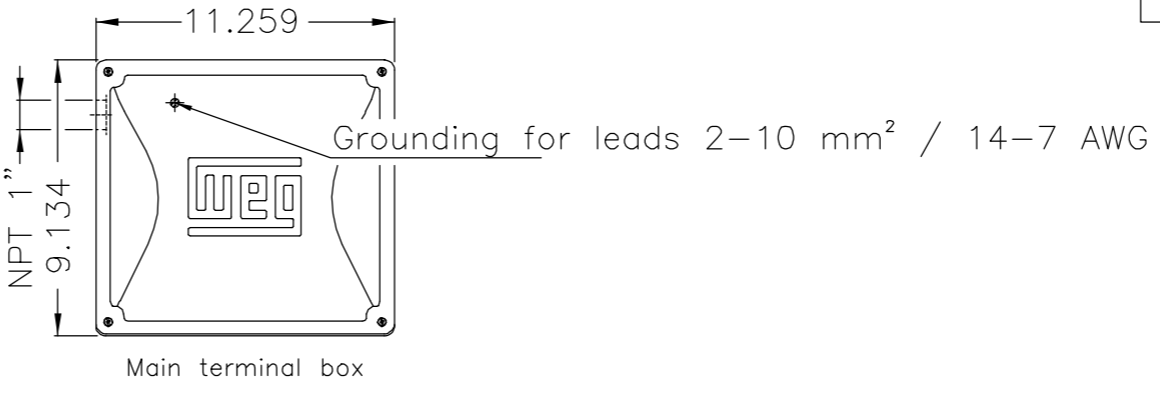
## Single Phase Induction Motor - Squirrel Cage



Customer :																			
Product line : W22 Single-Phase	Product code : 14380933 Catalog # : 01418ES1D215TZ-W22																		
Frame : 215TZ Output : 14 HP (10.3 kW) Poles : 4 Frequency : 60 Hz Rated voltage : 230 V Rated current : 60.7 A L. R. Amperes : 443 A LRC : 7.3x(Code J) No load current : 28.0 A Rated speed : 1730 rpm Slip : 3.89 % Rated torque : 42.5 ft.lb Locked rotor torque : 240 % Breakdown torque : 250 % Insulation class : H Service factor : 1.07	Locked rotor time : 10s (cold) 6s (hot) Temperature rise : 125 K Duty cycle : Cont.(S1) Ambient temperature : -20°C to +40°C Altitude : 1000 m.a.s.l. Protection degree : IP55 Cooling method : IC411 - TEFC Mounting : F-1 Rotation <sup>1</sup> : Both (CW and CCW) Starting method : Direct On Line Approx. weight <sup>3</sup> : 220 lb																		
<table border="1" style="width:100%; border-collapse: collapse;"> <tr> <td>Output</td> <td>25%</td> <td>50%</td> <td>75%</td> <td>100%</td> </tr> <tr> <td>Efficiency (%)</td> <td>0.000</td> <td>75.0</td> <td>79.0</td> <td>82.0</td> </tr> <tr> <td>Power Factor</td> <td>0.00</td> <td>0.78</td> <td>0.86</td> <td>0.90</td> </tr> </table>	Output	25%	50%	75%	100%	Efficiency (%)	0.000	75.0	79.0	82.0	Power Factor	0.00	0.78	0.86	0.90	Foundation loads Max. traction : 489 lb Max. compression : 710 lb			
Output	25%	50%	75%	100%															
Efficiency (%)	0.000	75.0	79.0	82.0															
Power Factor	0.00	0.78	0.86	0.90															
<table border="1" style="width:100%; border-collapse: collapse;"> <tr> <td></td> <td style="text-align:center"><u>Drive end</u></td> <td style="text-align:center"><u>Non drive end</u></td> </tr> <tr> <td>Bearing type :</td> <td style="text-align:center">6309 ZZ</td> <td style="text-align:center">6206 ZZ</td> </tr> <tr> <td>Sealing :</td> <td style="text-align:center">V'Ring</td> <td style="text-align:center">V'Ring</td> </tr> <tr> <td>Lubrication interval :</td> <td style="text-align:center">0 h</td> <td style="text-align:center">0 h</td> </tr> <tr> <td>Lubricant amount :</td> <td style="text-align:center">0 g</td> <td style="text-align:center">0 g</td> </tr> <tr> <td>Lubricant type :</td> <td colspan="2" style="text-align:center">Mobil Polyrex EM</td> </tr> </table>		<u>Drive end</u>	<u>Non drive end</u>	Bearing type :	6309 ZZ	6206 ZZ	Sealing :	V'Ring	V'Ring	Lubrication interval :	0 h	0 h	Lubricant amount :	0 g	0 g	Lubricant type :	Mobil Polyrex EM		
	<u>Drive end</u>	<u>Non drive end</u>																	
Bearing type :	6309 ZZ	6206 ZZ																	
Sealing :	V'Ring	V'Ring																	
Lubrication interval :	0 h	0 h																	
Lubricant amount :	0 g	0 g																	
Lubricant type :	Mobil Polyrex EM																		
Notes																			
This revision replaces and cancel the previous one, which must be eliminated. (1) Looking the motor from the shaft end. (2) Measured at 1m and with tolerance of +3dB(A). (3) Approximate weight subject to changes after manufacturing process. (4) At 100% of full load.	These are average values based on tests with sinusoidal power supply, subject to the tolerances stipulated in NEMA MG-1.																		
Rev.	Changes Summary	Performed	Checked	Date															
Performed by																			
Checked by			Page	Revision															
Date	15/02/2022		1 / 1																

EIXO/SHAFT	
PADRÃO/STANDARD	Dimensões em polegadas
OPCIONAL/OPTIONAL	
ESPECIAL/SPECIAL	X Dimensions in inches

THIS IS AN UPDATED REVISION, THE PREVIOUS ONE MUST BE DISREGARDED.



Carcaça com comprimento especial / Frame with special length						
Forma construtiva B3D / Mounting B3R(D)						
<b>WEG ELECTRIC CORPORATION - WEC</b>						
500001492228		Atual. linha pot. coforme EB	DEISEM	AKLOSOWSKI	AKLOSOWSKI	20.08.2018 05
500001466868		ALT CONF CLAIM 415097373	JEAN2	AMACEDO	AMACEDO	19.06.2018 04
ECM	LOC	SUMMARY OF MODIFICATIONS	EXECUTED	CHECKED	RELEASED	DATE VER
EXECUTED	AKLOSOWSKI	SINGLE PHASE MOTOR W22 NEMA FRAME 215TZ IP55 TEFC	<b>10004890223</b> 000   05			
CHECKED	JTOGNERI					
RELEASED	JTOGNERI					
REL DT	19.04.2017	WMO Jaragua do Sul	Product Engineering	SHEET	01 / 01	

14 HP 04 Poles 60Hz 415012785

UNCONTROLLED COPY RELEASED ZME A3