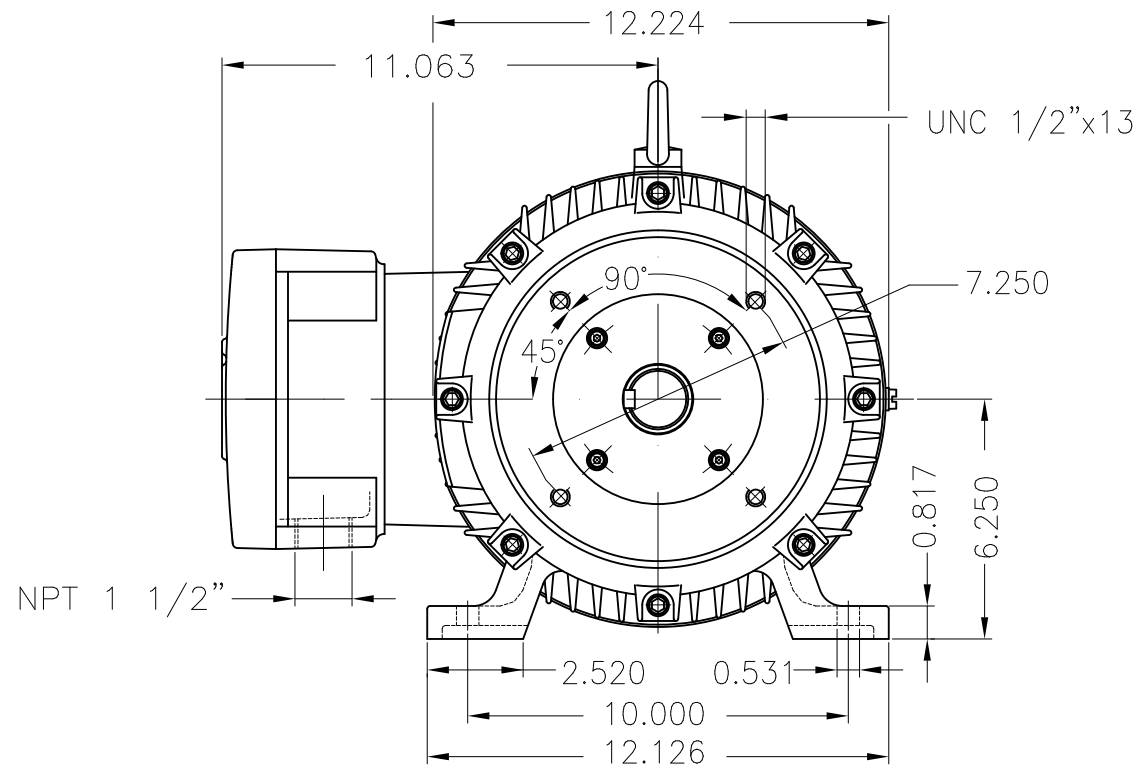


No reproduction of this drawing is allowed without written permission of WEG Motores

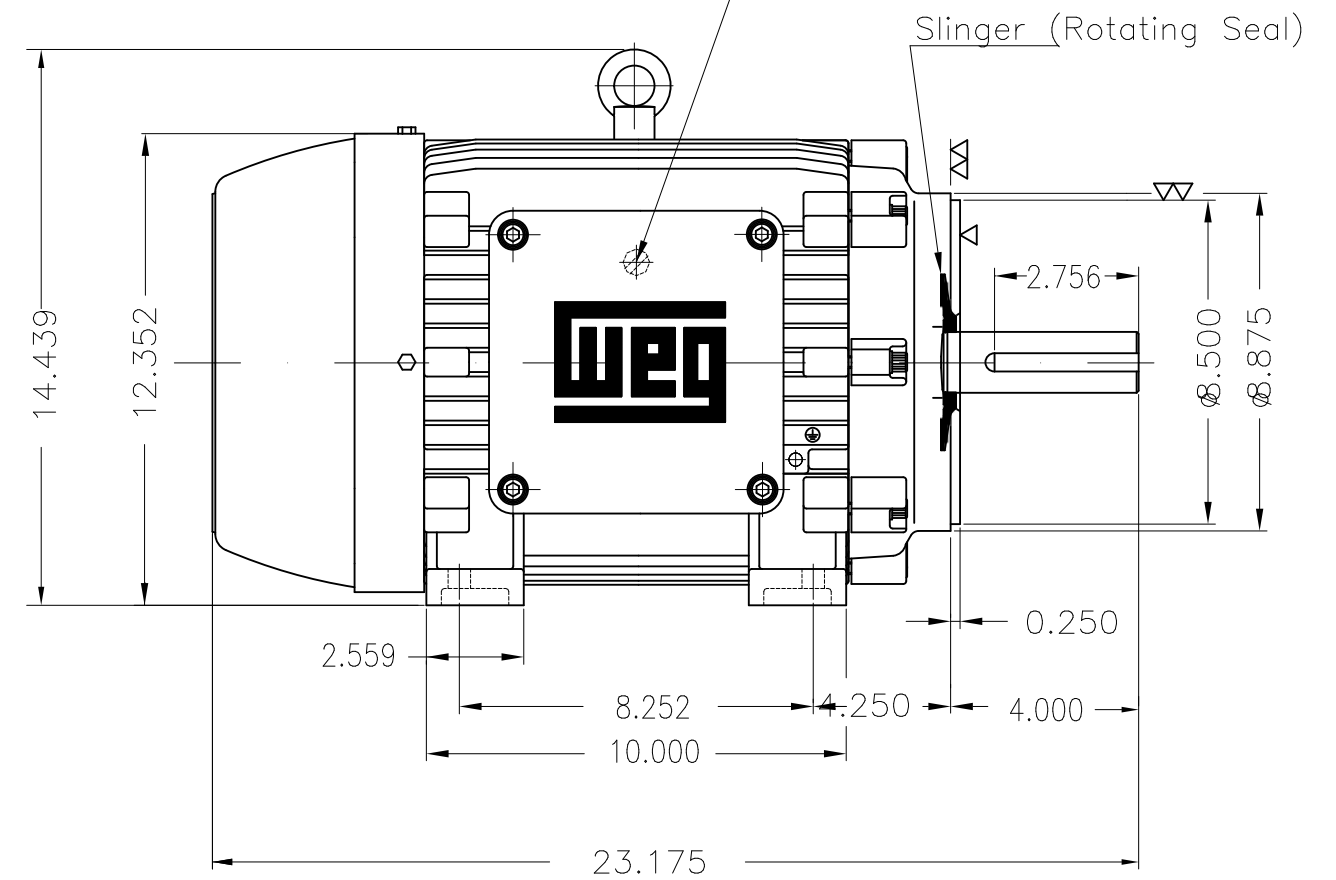
EIXO	
PADRÃO	X
OPCIONAL	
ESPECIAL	

Dimensões em polegada
Dimensions in inches

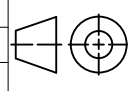
THIS IS AN UPDATED REVISION, THE PREVIOUS ONE MUST BE DISREGARDED.



Grounding for leads 5.2–25 mm² / 10–4 AWG



With grease fitting
Color RAL 5009
Painting plan 202P
Mounting B34R(D)

ECM	LOC	SUMMARY OF MODIFICATIONS	EXECUTED	CHECKED	RELEASED	DATE	VER
EXECUTED	USERADMIN	 THREE-PHASE EXPLOSION PROOF MOTOR FRAME 254TC IP55 TEFC WEG code: 14407151					
CHECKED							
RELEASED							
REL DT	17.02.2022		WMO Jaragua do Sul	Product Engineering	SHEET	1 / 1	

15 HP 02 Poles 60Hz

A



DATA SHEET



Three Phase Induction Motor - Squirrel Cage

Customer :																			
Product line	: W21 Explosion Proof NEMA Premium Efficiency Three-Phase																		
Product code :	14407151																		
Catalog # :	01536XT3E254TC																		
Frame : 254TC Output : 15 HP (11 kW) Poles : 2 Frequency : 60 Hz Rated voltage : 230/460 V Rated current : 34.8/17.4 A L. R. Amperes : 237/118 A LRC : 6.8x(Code G) No load current : 12.0/6.00 A Rated speed : 3540 rpm Slip : 1.67 % Rated torque : 3.08 kgfm Locked rotor torque : 200 % Breakdown torque : 270 % Insulation class : F Service factor : 1.15 Moment of inertia (J) : 0.0500 kgm ² Design : B	Locked rotor time : 55s (cold) 31s (hot) Temperature rise : 80 K Duty cycle : Cont.(S1) Ambient temperature : -20°C to +40°C Altitude : 1000 m.a.s.l. Protection degree : IP55 Cooling method : IC411 - TEFC Mounting : F-1 Rotation ¹ : Both (CW and CCW) Noise level ² : 75.0 dB(A) Starting method : Direct On Line Approx. weight ³ : 147 kg																		
Output	25% 50% 75% 100%																		
Efficiency (%)	89.4 90.0 90.5 91.0																		
Power Factor	0.49 0.74 0.83 0.87																		
Foundation loads																			
Max. traction : 72 kgf																			
Max. compression : 219 kgf																			
	<table border="0"> <tr> <td></td> <td style="text-align: center;"><u>Drive end</u></td> <td style="text-align: center;"><u>Non drive end</u></td> </tr> <tr> <td>Bearing type :</td> <td>6309 C3</td> <td>6209 C3</td> </tr> <tr> <td>Sealing :</td> <td>Oil Seal</td> <td>Lip Seal</td> </tr> <tr> <td>Lubrication interval :</td> <td>15797 h</td> <td>18447 h</td> </tr> <tr> <td>Lubricant amount :</td> <td>13 g</td> <td>9 g</td> </tr> <tr> <td>Lubricant type :</td> <td colspan="2" style="text-align: center;">Mobil Polyrex EM</td> </tr> </table>		<u>Drive end</u>	<u>Non drive end</u>	Bearing type :	6309 C3	6209 C3	Sealing :	Oil Seal	Lip Seal	Lubrication interval :	15797 h	18447 h	Lubricant amount :	13 g	9 g	Lubricant type :	Mobil Polyrex EM	
	<u>Drive end</u>	<u>Non drive end</u>																	
Bearing type :	6309 C3	6209 C3																	
Sealing :	Oil Seal	Lip Seal																	
Lubrication interval :	15797 h	18447 h																	
Lubricant amount :	13 g	9 g																	
Lubricant type :	Mobil Polyrex EM																		
Notes USABLE @208V 37.3A SF 1.15 SFA 42.9A																			
This revision replaces and cancel the previous one, which must be eliminated. (1) Looking the motor from the shaft end. (2) Measured at 1m and with tolerance of +3dB(A). (3) Approximate weight subject to changes after manufacturing process. (4) At 100% of full load.																			
These are average values based on tests with sinusoidal power supply, subject to the tolerances stipulated in NEMA MG-1.																			
Rev.	Changes Summary	Performed	Checked	Date															
Performed by																			
Checked by			Page	Revision															
Date	17/02/2022		1 / 2																

DATA SHEET

Three Phase Induction Motor - Squirrel Cage



Customer : _____

Thermal protection

ID	Application	Type	Quantity	Sensing Temperature
1	Winding	Thermostat - 2 wires	1 x Phase	155 °C

Rev.	Changes Summary	Performed	Checked	Date
Performed by				
Checked by			Page	Revision
Date	17/02/2022		2 / 2	

MADE IN BRAZIL


W21X NEMA
Premium

14407151



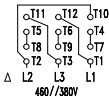
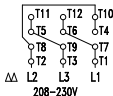
LISTED

CC029A

Inverter Duty Motor
Severe Duty

MODEL 01536XT3E254TC

PH 3	FR 254TC		
HP(kW) 15.0(11.0)		HZ 60	IP55
V 230/460		A 34.8/17.4	
RPM 3540		NEMA NOM EFF 91.0%	
PF 0.87		SFA 40.0/20.0	DES B
INS CL F Δ T 80 K		SF 1.15	ENCL TEFC
DUTY CONT.		CODE G	ALT 1000 m.a.s.l.
AMB 40°C	USABLE @208V	37.3 A	SF 1.15 SFA 42.9
AMB 55°C SF1.0 -bearings lub interval reduced by a factor of 50%			
15HP 11kW 50Hz 380V 21.0A 2915RPM SF1.00 EFF 89.5% (IE2)			



→ 6309-C3 MOBIL POLYREX EM
 → 6209-C3 13 g 15797 h

326 Lbs



TEMP CODE T3C
 CSA/UL: Class I - Div. 1 - Groups C and D
 CSA: Class II - Div. 1 - Groups F and G
 CSA: Class I - Zone 1 - IIB

EXPLOSION PROOF MOTOR

FOR USE ON VPWM VFD 1000:1VT, 6:1CT, 1.0SF, T3C, AMB 40°C.