



Technical Data

End Suction Pump - EAZS125/20-18504

Revision no.

Page:

1

Receiver

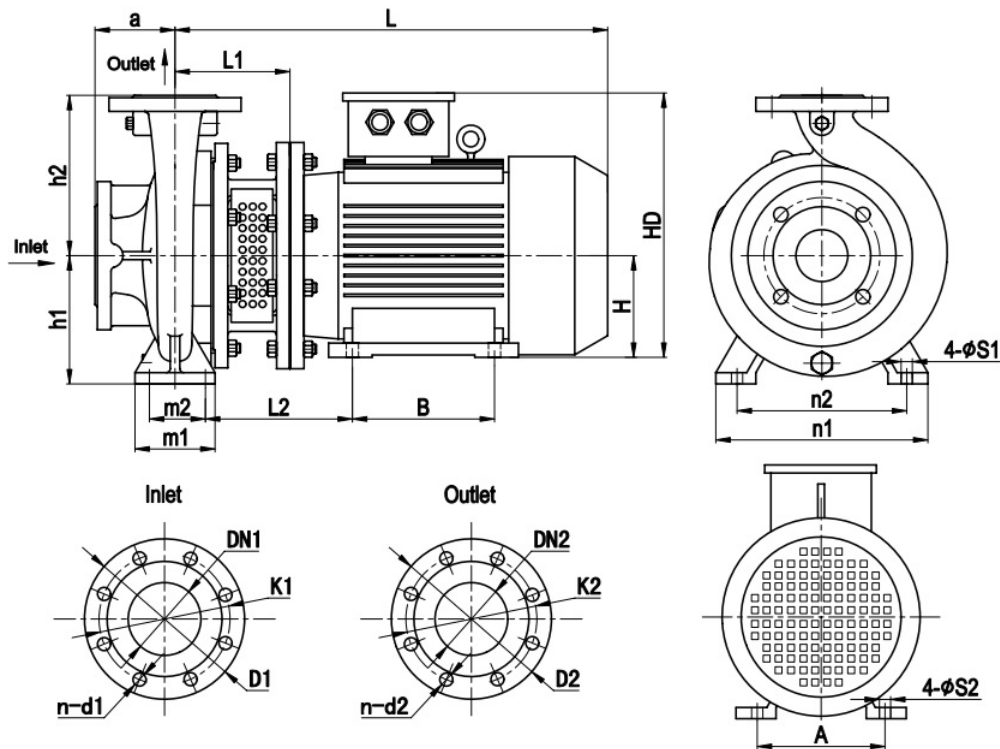
From

 Company name
 Respons. Department
 Person in charge
 Phone number
 Fax no
 E-mail address

Brand: Gol Pumps
Model: EAZS125/20-18504

Motor (B35)	
Model	hp
Y2-180M-4	25

Weight (lb)		
Pump	Motor	Pump & motor
212	346	558

Dimensions:


ISO7005.2 DIN2501 PN16 GB/T17241.6 PN1.6									
DN1 / DN2	1.25	1.5	2	2.5	3	4	5	6	8
D1 / D2	5.51	5.91	6.50	7.28	7.87	8.66	9.84	11.22	13.39
K1 / K2	3.94	4.33	4.92	5.71	6.30	7.09	8.27	9.45	11.61
n-d1 / n-d2	4-Ø18	4-Ø18	4-Ø18	4-Ø18	8-Ø18	8-Ø18	8-Ø18	8-Ø22	12-Ø22

Inlet and outlet flange	
DN1	DN2
6	5

Pump installation size (inch)															
a	h1	h2	L1	L2	L	A	B	H	HD	m1	m2	n1	n2	S1	S2
5.51	9.84	12.40	9.29	11.65	32.48	10.98	9.49	7.09	17.91	6.30	4.72	15.75	12.40	0.71	0.59

Project

Project ID

Created by

Created on

Last update



Performance Curves

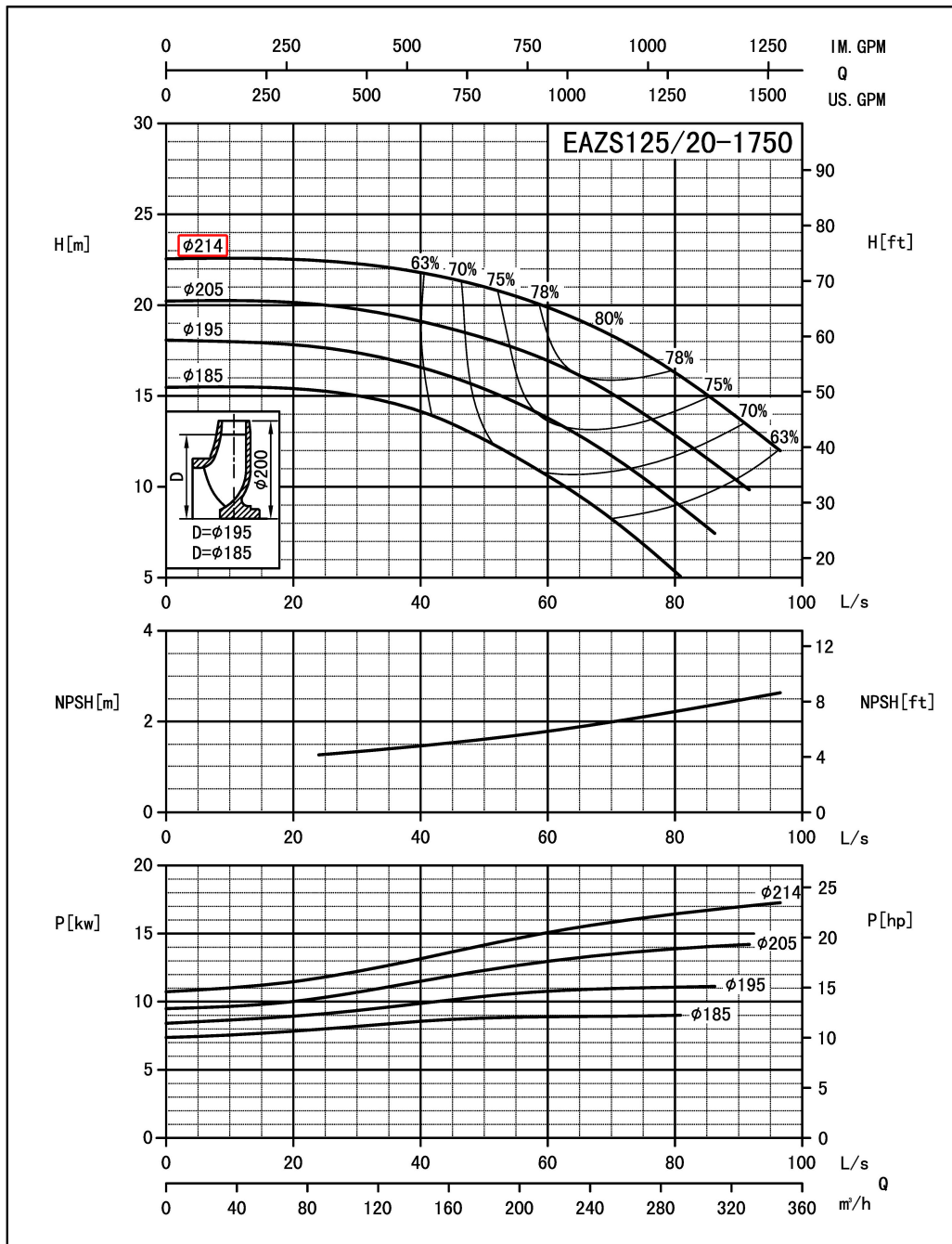
End Suction Pump - EAZS125/20-18504

Revision no. _____
 Page: 2

Receiver	From

Company name
 Respons. Department
 Person in charge
 Phone number
 Fax no
 E-mail address

Model	Capacity		Head ft	Speed r/min	Power (kw)		Motor (hp)	Efficiency %	Impeller Diam. inch	(NPSH) r ft
	m ³ /h	gpm			Shaft	Motor				
EAZS125/20-18504	138.2	10.14	71.7	1750	13.25	15	20	62	8.4	4.27
	230.3	16.90	63.6		15.37	18.5	25	79		5.58
	276.3	20.28	55.9		16.33	18.5	25	78.5		6.07



Performance to ISO9906 Grade 2 for clean cold water only

EF-A02/1406

Project	Project ID	Created by	Created on	Last update