



Technical Data

End Suction Pump - EAZS125/26-37004

Revision no.

 Page:
1

Receiver

From

 Company name
 Respons. Department
 Person in charge
 Phone number
 Fax no
 E-mail address

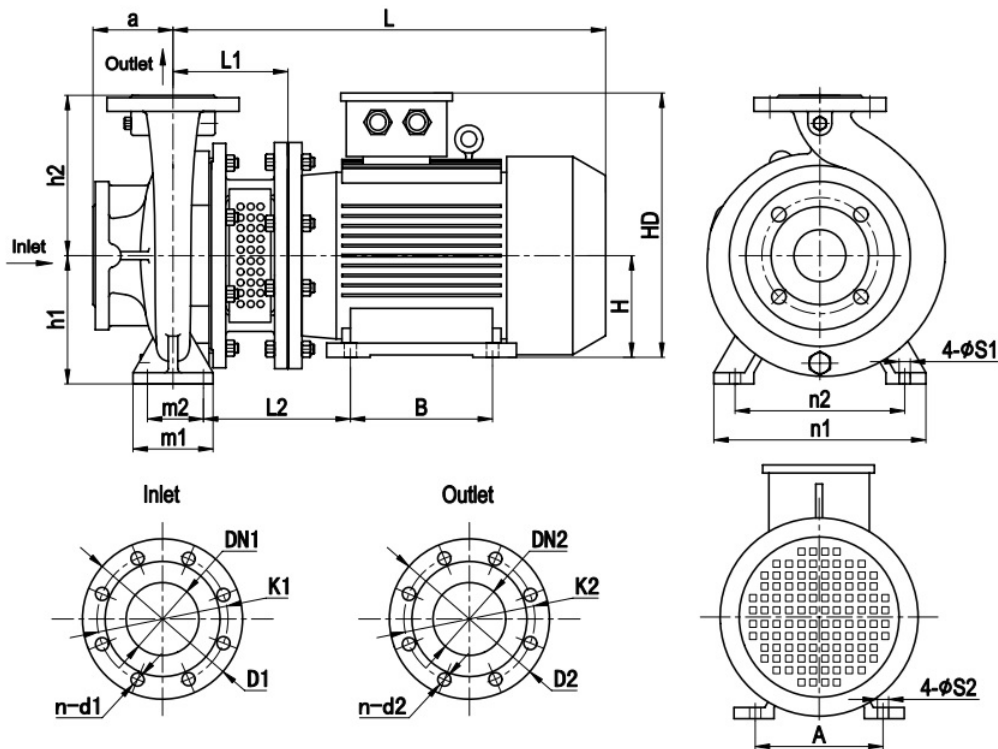
--	--



Brand: Gol Pumps
Model: EAZS125/26-37004

Motor (B35)	
Model	hp
Y2-225S-4	50

Weight (lb)		
Pump	Motor	Pump & motor
262	664	924

Dimensions:


ISO7005.2 DIN2501 PN16 GB/T17241.6 PN1.6									
DN1 / DN2	1.25	1.5	2	2.5	3	4	5	6	8
D1 / D2	5.51	5.91	6.50	7.28	7.87	8.66	9.84	11.22	13.39
K1 / K2	3.94	4.33	4.92	5.71	6.30	7.09	8.27	9.45	11.61
n-d1 / n-d2	4-Ø18	4-Ø18	4-Ø18	4-Ø18	8-Ø18	8-Ø18	8-Ø18	8-Ø22	12-Ø22

Inlet and outlet flange	
DN1	DN2
6	5

Pump installation size (inch)															
a	h1	h2	L1	L2	L	A	B	H	HD	m1	m2	n1	n2	S1	S2
5.51	9.84	13.98	10.87	14.37	37.48	14.02	11.26	8.86	22.05	6.30	4.72	15.75	12.40	0.71	0.75

Project	Project ID	Created by	Created on	Last update
---------	------------	------------	------------	-------------



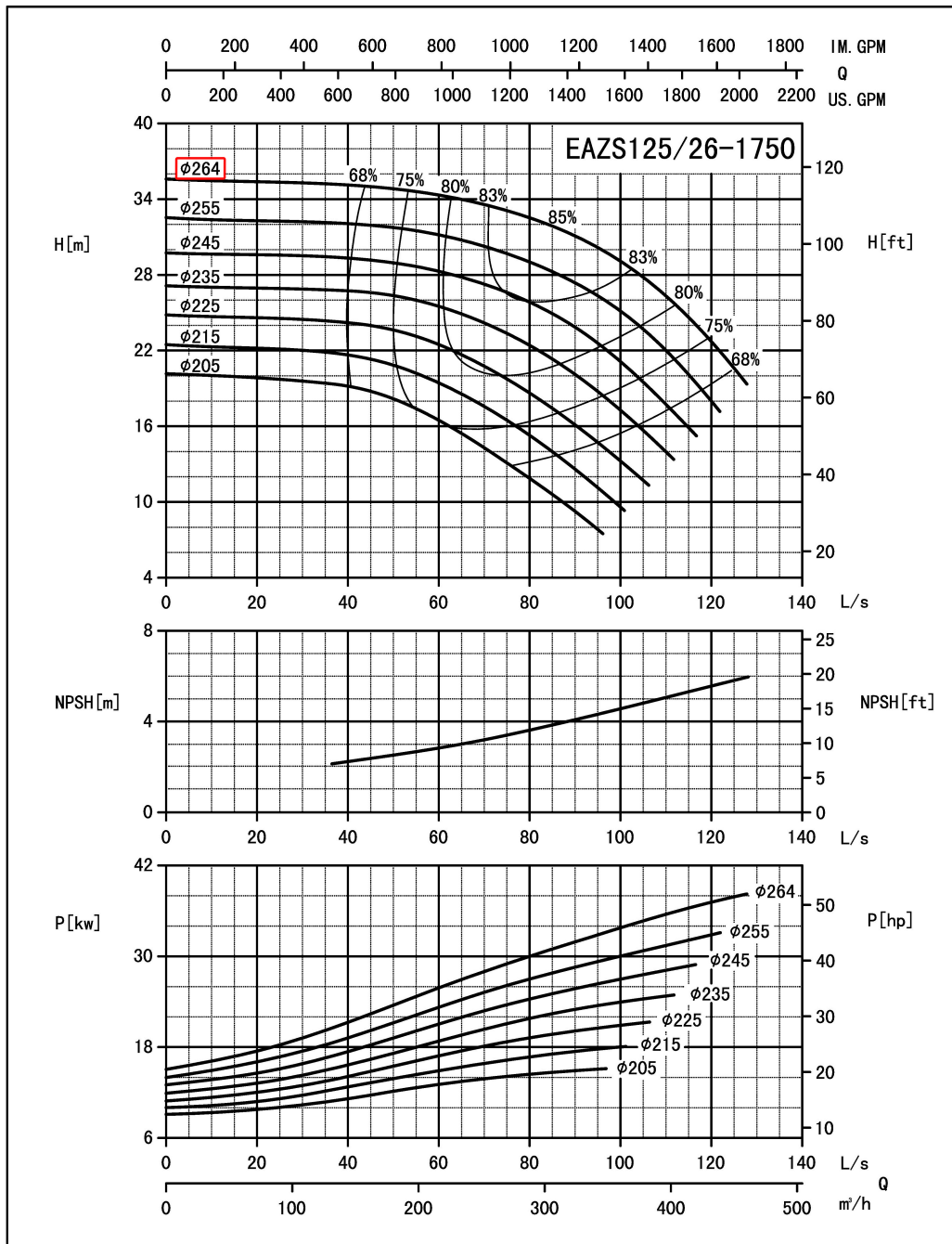
Performance Curves

End Suction Pump - EAZS125/26-37004

Revision no. _____
 Page: 2

	Receiver	From
Company name		
Respons. Department		
Person in charge		
Phone number		
Fax no		
E-mail address		

Model	Capacity		Head ft	Speed r/min	Power (kw)		Motor (hp)	Efficiency %	Impeller Diam. inch	(NPSH) r ft
	m ³ /h	gpm			Shaft	Motor				
EAZS125/26-37004	173.8	12.75	114.7	1750	23.30	30	40	71	10.4	7.22
	289.7	21.26	106.1		30.36	37	50	84		9.19
	347.6	25.51	98.0		33.84	37	50	83.5		10.83



Performance to ISO9906 Grade 2 for clean cold water only

EF-A01/1406

Project	Project ID	Created by	Created on	Last update
---------	------------	------------	------------	-------------