



Technical Data

End Suction Pump - EAZS125/32-55004

Revision no.

 Page:
1

Receiver

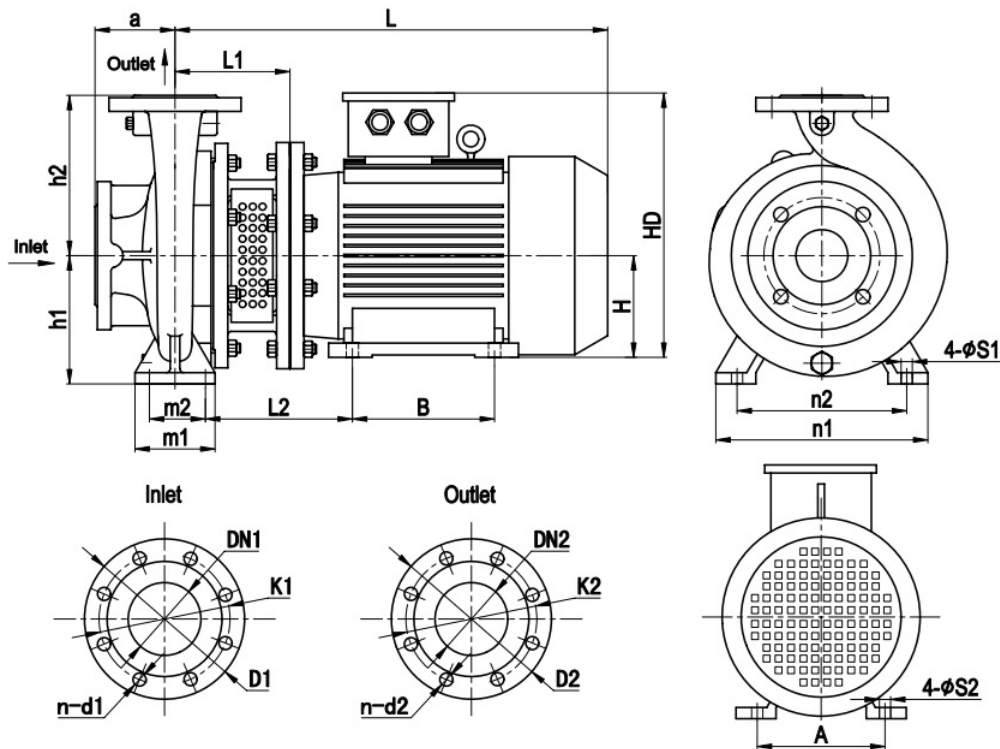
From

 Company name
 Respons. Department
 Person in charge
 Phone number
 Fax no
 E-mail address

Brand: Gol Pumps
Model: EAZS125/32-55004

Motor (B35)	
Model	hp
Y2-250M-4	75

Weight (lb)		
Pump	Motor	Pump & motor
360	8442	1202

Dimensions:


ISO7005.2 DIN2501 PN16 GB/T17241.6 PN1.6									
DN1 / DN2	1.25	1.5	2	2.5	3	4	5	6	8
D1 / D2	5.51	5.91	6.50	7.28	7.87	8.66	9.84	11.22	13.39
K1 / K2	3.94	4.33	4.92	5.71	6.30	7.09	8.27	9.45	11.61
n-d1 / n-d2	4-Ø18	4-Ø18	4-Ø18	4-Ø18	8-Ø18	8-Ø18	8-Ø18	8-Ø22	12-Ø22

Inlet and outlet flange	
DN1	DN2
6	5

Pump installation size (inch)															
a	h1	h2	L1	L2	L	A	B	H	HD	m1	m2	n1	n2	S1	S2
5.51	11.02	13.98	11.22	14.88	41.50	15.98	13.74	9.84	24.21	7.87	5.91	19.69	15.75	0.91	0.94

Project

Project ID

Created by

Created on

Last update



Performance Curves

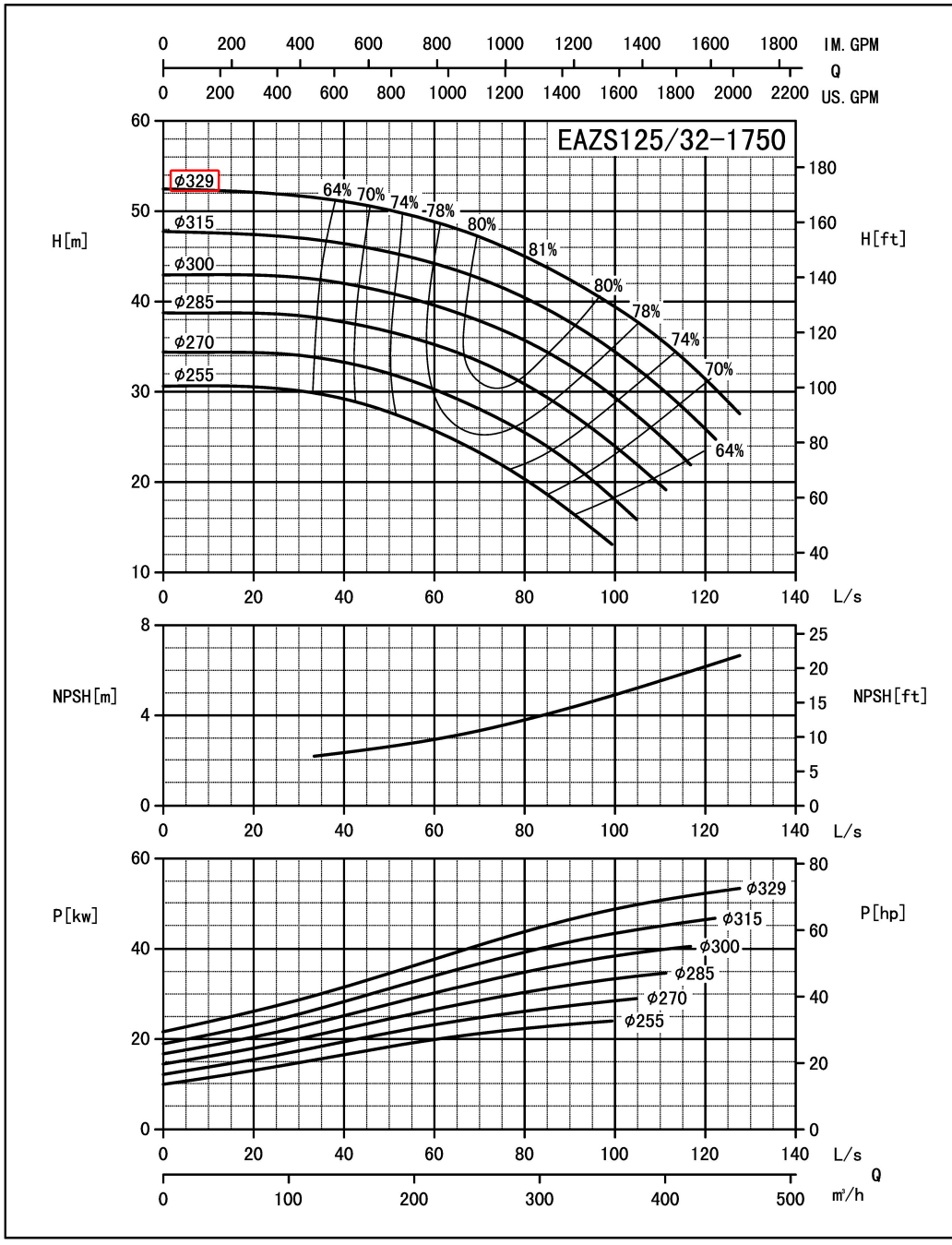
End Suction Pump - EAZS125/32-55004

Revision no. _____
 Page: 2

Company name _____
 Respons. Department _____
 Person in charge _____
 Phone number _____
 Fax no _____
 E-mail address _____

Receiver	From

Model	Capacity		Head	Speed	Power (kw)		Motor (hp)	Efficiency	Impeller Diam.	(NPSH) r
	m ³ /h	gpm	ft	r/min	Shaft	Motor		%	inch	ft
EAZS125/32-55004	144.9	10.64	167.3	1750	30.95	37	50	65	13.0	5.58
	241.6	17.73	156.3		39.40	45	60	79.5		7.22
	289.9	21.27	147.2		43.71	55	75	81		8.86



Performance to ISO9906 Grade 2 for clean cold water only

EF•A01/1406

Project	Project ID	Created by	Created on	Last update
---------	------------	------------	------------	-------------