



# Technical Data

## End Suction Pump - EAZS32/20-01504

Revision no.

Page:

1

Receiver

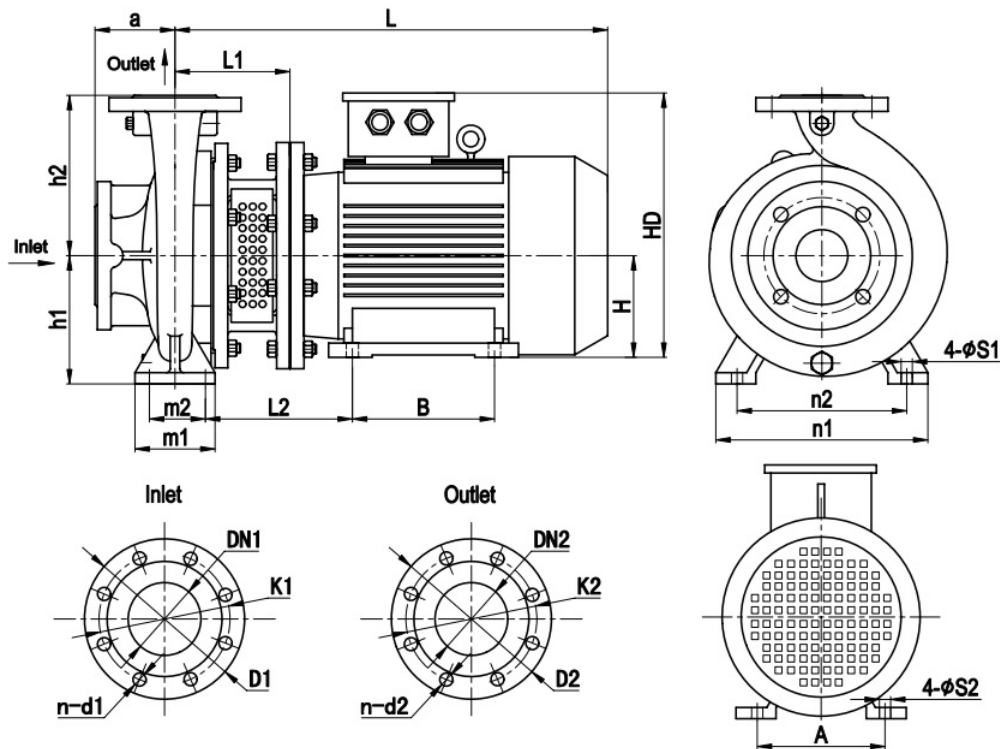
From

 Company name  
 Respons. Department  
 Person in charge  
 Phone number  
 Fax no  
 E-mail address

**Brand: Gol Pumps**  
**Model: EAZS32/20-01504**

Motor (B35)	
Model	hp
Y2-90L-4	2

Weight (lb)		
Pump	Motor	Pump & motor
86	60	146

**Dimensions:**


ISO7005.2 DIN2501 PN16 GB/T17241.6 PN1.6									
DN1 / DN2	1.25	1.5	2	2.5	3	4	5	6	8
D1 / D2	5.51	5.91	6.50	7.28	7.87	8.66	9.84	11.22	13.39
K1 / K2	3.94	4.33	4.92	5.71	6.30	7.09	8.27	9.45	11.61
n-d1 / n-d2	4-Ø18	4-Ø18	4-Ø18	4-Ø18	8-Ø18	8-Ø18	8-Ø18	8-Ø22	12-Ø22

Inlet and outlet flange	
DN1	DN2
2	1.25

Pump installation size (inch)															
a	h1	h2	L1	L2	L	A	B	H	HD	m1	m2	n1	n2	S1	S2
3.15	6.30	7.09	5.98	6.81	17.60	5.51	4.92	3.54	9.84	3.94	2.76	9.45	7.48	0.55	0.39

Project

Project ID

Created by

Created on

Last update



# Performance Curves

## End Suction Pump - EAZS32/20-01504

Revision no.

Page:  
2

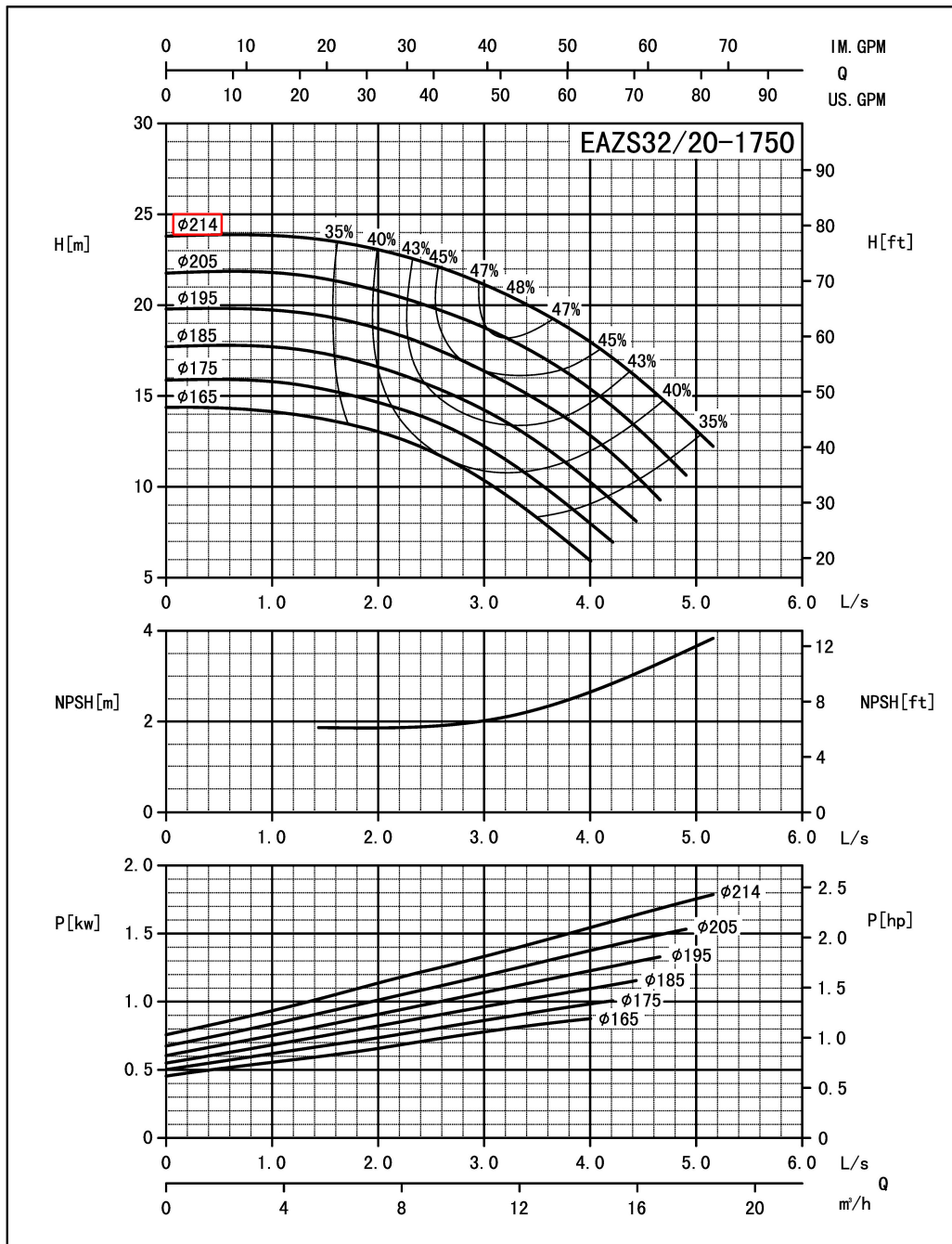
Receiver

From

Company name  
Respons. Department  
Person in charge  
Phone number  
Fax no  
E-mail address

--	--

Model	Capacity		Head ft	Speed r/min	Power (kw)		Motor (hp)	Efficiency %	Impeller Diam. inch	(NPSH) r ft
	m <sup>3</sup> /h	gpm			Shaft	Motor				
EAZS32/20-01504	5.2	0.46	76.5	1750	0.89	1.1	1	37	8.4	6.23
	8.7	0.77	70.2		1.09	1.5	2	46.5		6.56
	10.4	0.92	65.0		1.18	1.5	2	47.5		7.55



Performance to ISO9906 Grade 2 for clean cold water only

EF•A01/1406

Project	Project ID	Created by	Created on	Last update
---------	------------	------------	------------	-------------