



# Technical Data

## End Suction Pump - EAZS40/20-02204

Revision no. \_\_\_\_\_  
Page: 1

	Receiver	From
Company name		
Respons. Department		
Person in charge		
Phone number		
Fax no		
E-mail address		

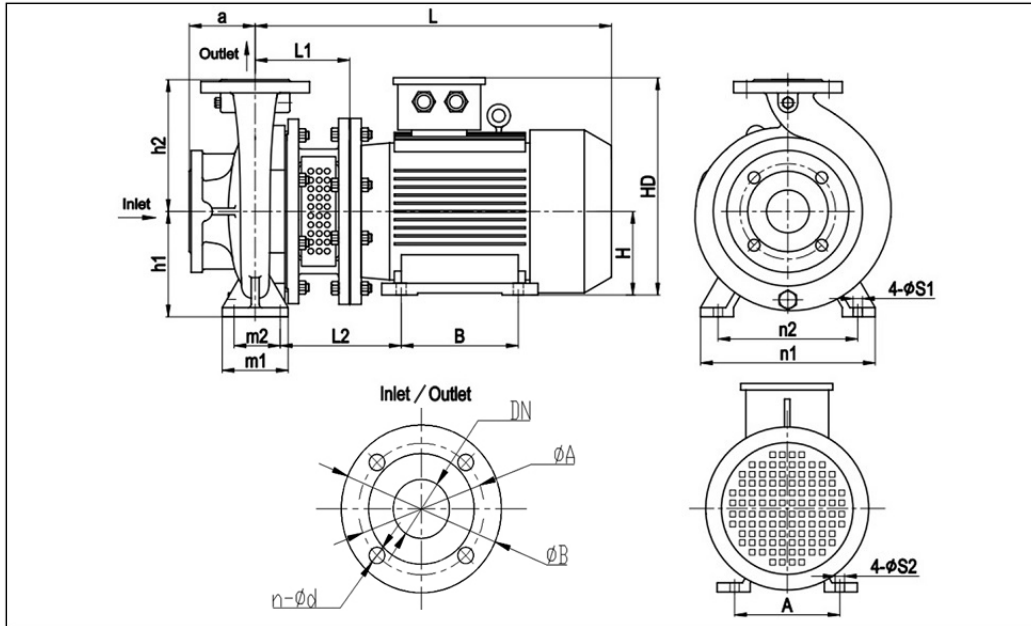


**Brand: Gol Pumps**  
**Model: EAZS40/20-02204**  
**Flange: ANSI Class 125**

Motor (B35)	
Model	hp
Y2-100L1-4	3

Weight (lb)		
Pump	Motor	Pump & Motor
93	75	168

### Dimensions:



Inlet			
DN	ØA	ØB	n-Ød
2.5	5.5	7.1	4-0.8

Outlet			
DN	ØA	ØB	n-Ød
1.5	3.9	5	4-0.6

Pump Installation Size (inch)															
a	h1	h2	L1	L2	L	A	B	H	HD	m1	m2	n1	n2	S1	S2
3.9	6.3	7.1	6.5	7.6	19.3	6.3	5.5	3.9	10.6	3.9	2.8	10.4	8.4	0.6	0.5

Project	Project ID	Created by	Created on	Last update
---------	------------	------------	------------	-------------



# Performance Curves

## End Suction Pump - EAZS40/20-02204

Revision no.

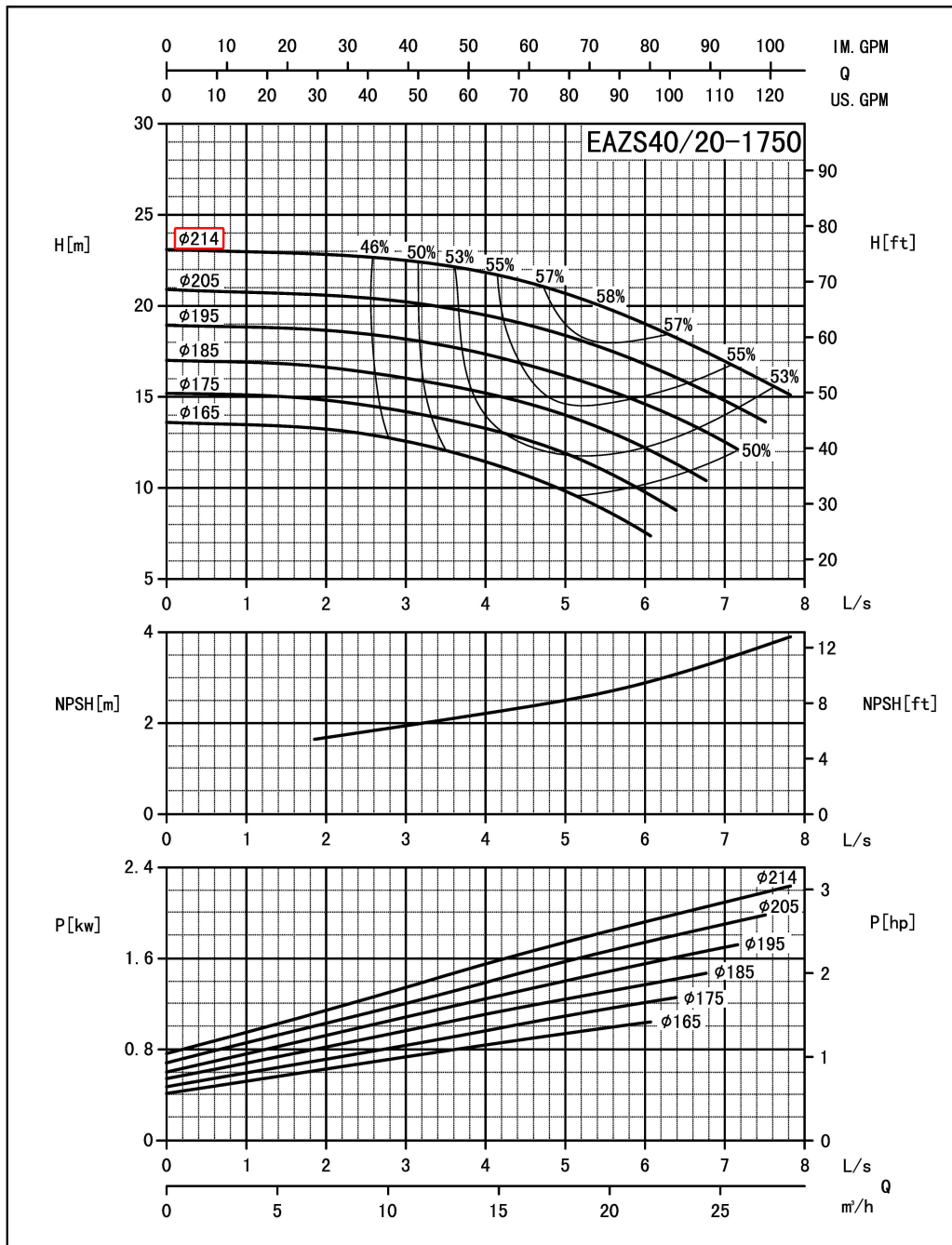
 Page:  
2

Receiver

From

 Company name  
 Respons. Department  
 Person in charge  
 Phone number  
 Fax no  
 E-mail address

Model	Capacity		Head ft	Speed r/min	Power (kw)		Motor (hp)	Efficiency %	Impeller Diam. inch	(NPSH) r ft
	m <sup>3</sup> /h	gpm			Shaft	Motor				
EAZS40/20-02204	8.7	38.3	74.1	1750	1.1	1.5	2	48	8.4	5.9
	14.5	63.9	68.3		1.4	2.2	3	57		7.2
	17.4	76.7	63.1		1.6	2.2	3	57.5		8.2



Performance to ISO9906 Grade 2 for clean cold water only

EF-A01/1406

Project

Project ID

Created by

Created on

Last update