



# Technical Data

## End Suction Pump - EAZS50/16-02204

Revision no.

Page:

1

Receiver

From

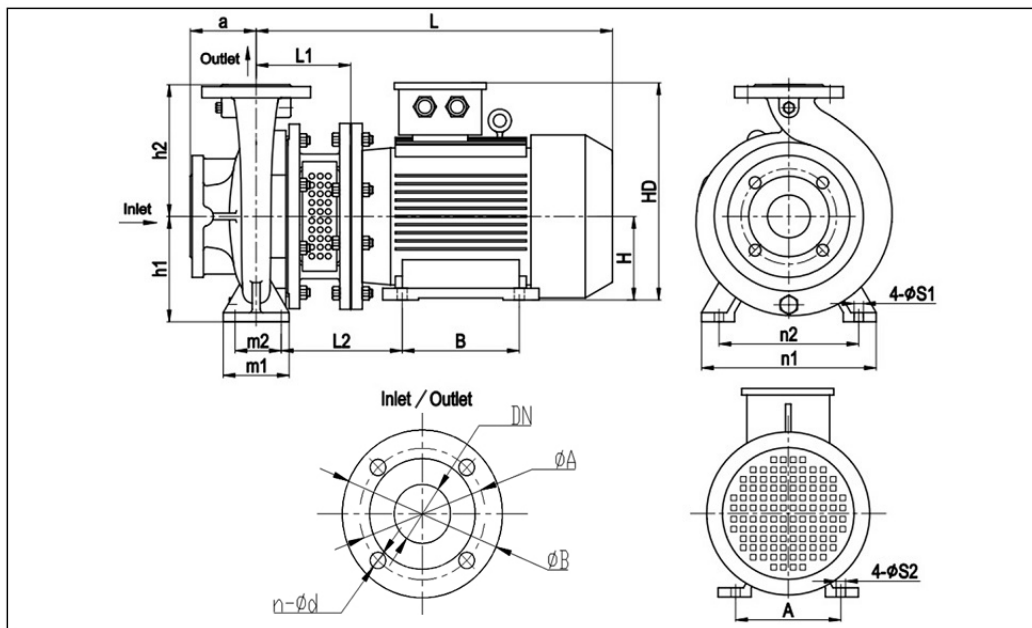
 Company name  
 Respons. Department  
 Person in charge  
 Phone number  
 Fax no  
 E-mail address


**Brand: Gol Pumps**  
**AcXY: 95 NG50/16-02204**  
**Flange: ANSI Class 125**

Motor (B35)	
Model	hp
Y2-100L1-4	3

Weight (lb)		
Pump	Motor	Pump & Motor
82	75	157

### Dimensions:



Inlet			
DN	ØA	ØB	n-Ød
2.5	5.5	7.1	4-0.8

Outlet			
DN	ØA	ØB	n-Ød
2	4.8	5.9	4-0.8

Pump Installation Size (inch)															
a	h1	h2	L1	L2	L	A	B	H	HD	m1	m2	n1	n2	S1	S2
3.9	6.3	7.1	6.5	7.6	19.3	6.3	5.5	3.9	10.6	3.9	2.8	10.4	8.4	0.6	0.5

Project

Project ID

Created by

Created on

Last update



# Performance Curves

## End Suction Pump - EAZS50/16-02204

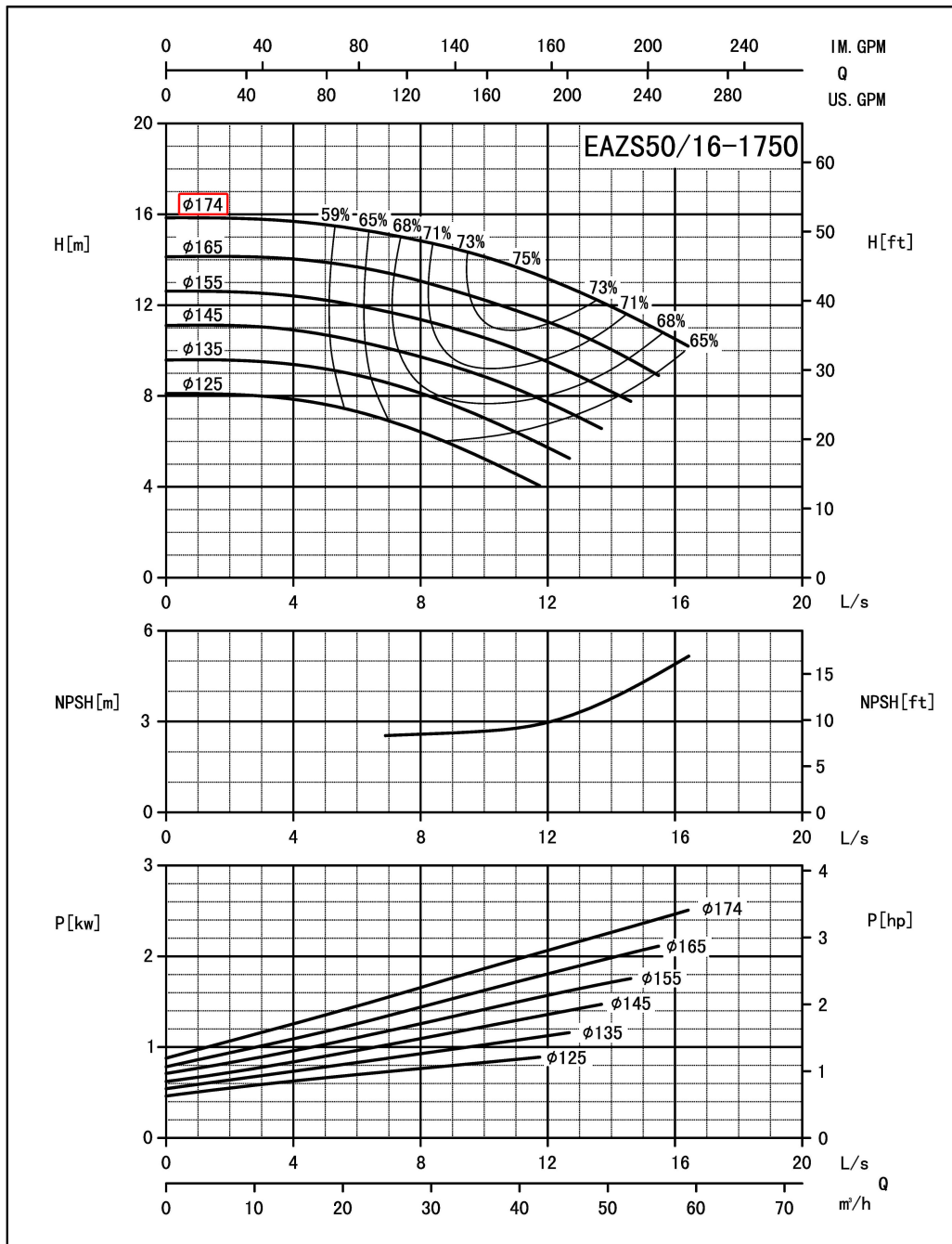
Revision no. \_\_\_\_\_  
 \_\_\_\_\_

Page:  
 2

Receiver	From

Company name  
 Respons. Department  
 Person in charge  
 Phone number  
 Fax no  
 E-mail address

Model	Capacity		Head	Speed	Power (kw)		Motor (hp)	Efficiency	Impeller Diam.	(NPSH) r
	m <sup>3</sup> /h	gpm	ft	r/min	Shaft	Motor		%	inch	ft
EAZS50/16-02204	17.6	77.4	45.1	1750	1	1.5	2	64	6.5	6.9
	29.3	129	40.8		1.4	2.2	3	73		7.2
	35.1	154.8	37.3		1.5	2.2	3	73		7.9



Performance to ISO9906 Grade 2 for clean cold water only

EF-A01/1406

Project	Project ID	Created by	Created on	Last update
---------	------------	------------	------------	-------------