



Technical Data

End Suction Pump - EAZS65/13-02204

Revision no.

 Page:
1

Receiver

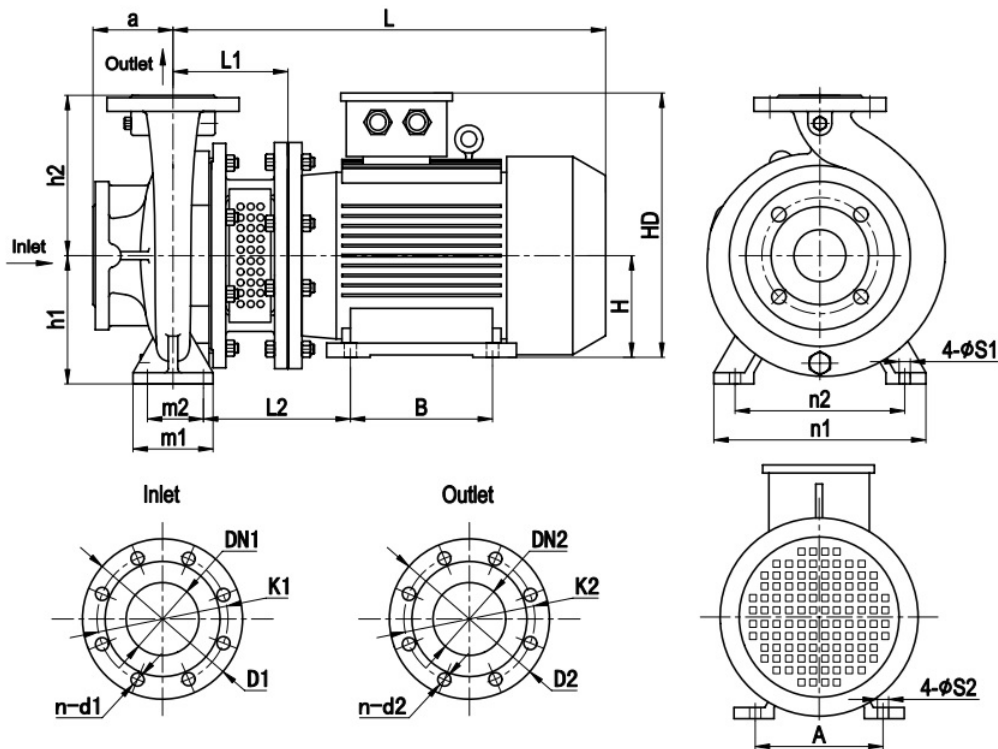
From

 Company name
 Respons. Department
 Person in charge
 Phone number
 Fax no
 E-mail address

Brand: Gol Pumps
Model: EAZS65/13-02204

Motor (B35)	
Model	hp
Y2-100L1-4	3

Weight (lb)		
Pump	Motor	Pump & motor
86	75	161

Dimensions:


ISO7005.2 DIN2501 PN16 GB/T17241.6 PN1.6									
DN1 / DN2	1.25	1.5	2	2.5	3	4	5	6	8
D1 / D2	5.51	5.91	6.50	7.28	7.87	8.66	9.84	11.22	13.39
K1 / K2	3.94	4.33	4.92	5.71	6.30	7.09	8.27	9.45	11.61
n-d1 / n-d2	4-Ø18	4-Ø18	4-Ø18	4-Ø18	8-Ø18	8-Ø18	8-Ø18	8-Ø22	12-Ø22

Inlet and outlet flange	
DN1	DN2
3	2.5

Pump installation size (inch)															
a	h1	h2	L1	L2	L	A	B	H	HD	m1	m2	n1	n2	S1	S2
3.94	6.30	7.09	6.46	7.07	19.25	6.30	5.51	3.94	10.63	4.92	3.74	11.02	8.35	0.55	0.47

Project

Project ID

Created by

Created on

Last update



Performance Curves

End Suction Pump - EAZS65/13-02204

Revision no.

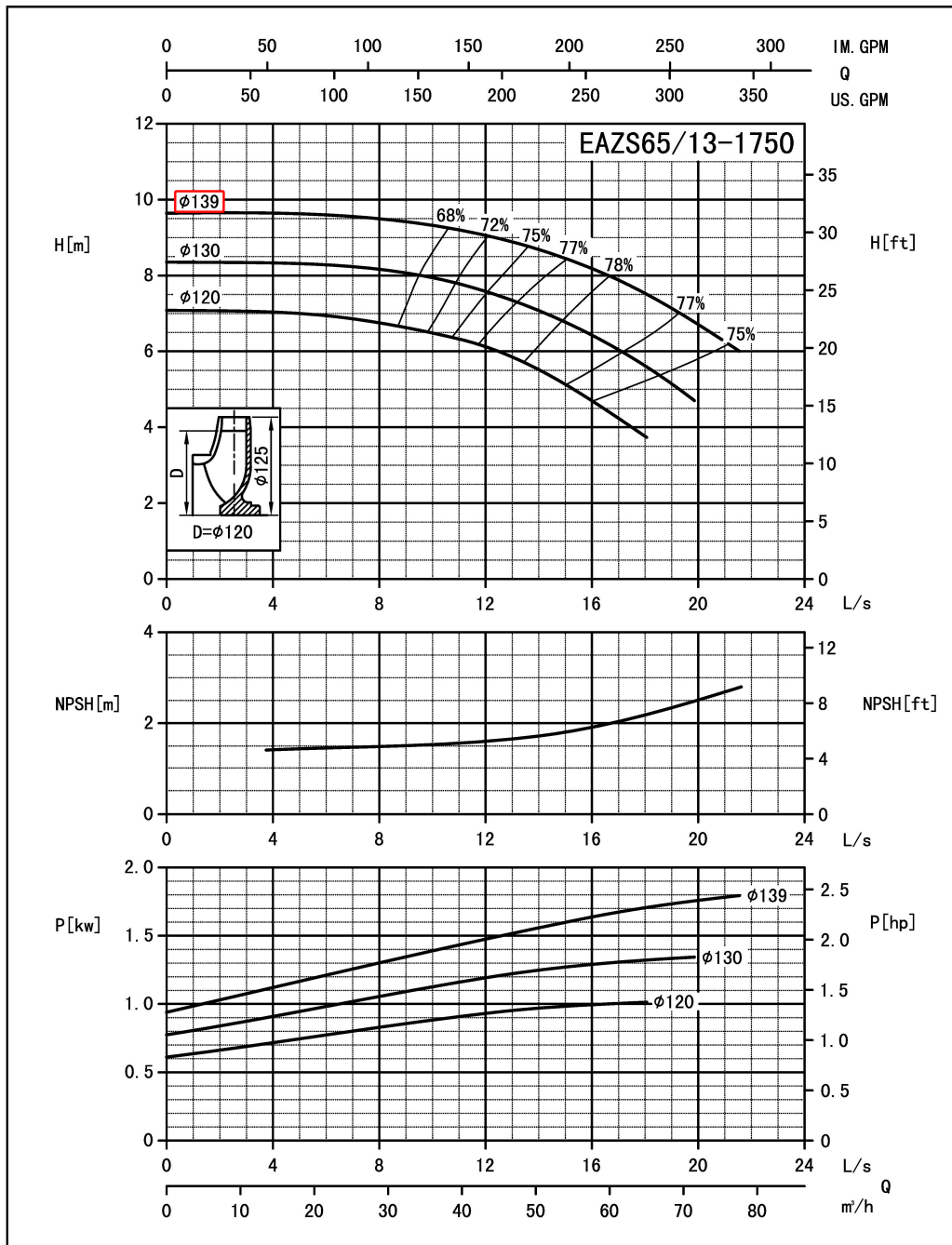
 Page:
2

Receiver

From

 Company name
 Respons. Department
 Person in charge
 Phone number
 Fax no
 E-mail address

Model	Capacity		Head ft	Speed r/min	Power (kw)		Motor (hp)	Efficiency %	Impeller Diam. inch	(NPSH) r ft
	m ³ /h	gpm			Shaft	Motor				
EAZS65/13-02204	29.0	2.57	30.6	1750	1.13	1.5	2	65	5.5	7.55
	48.3	4.28	26.3		1.35	2.2	3	78		7.87
	57.9	5.13	22.9		1.43	2.2	3	77		8.86



Performance to ISO9906 Grade 2 for clean cold water only

EF-A02/1406

Project

Project ID

Created by

Created on

Last update