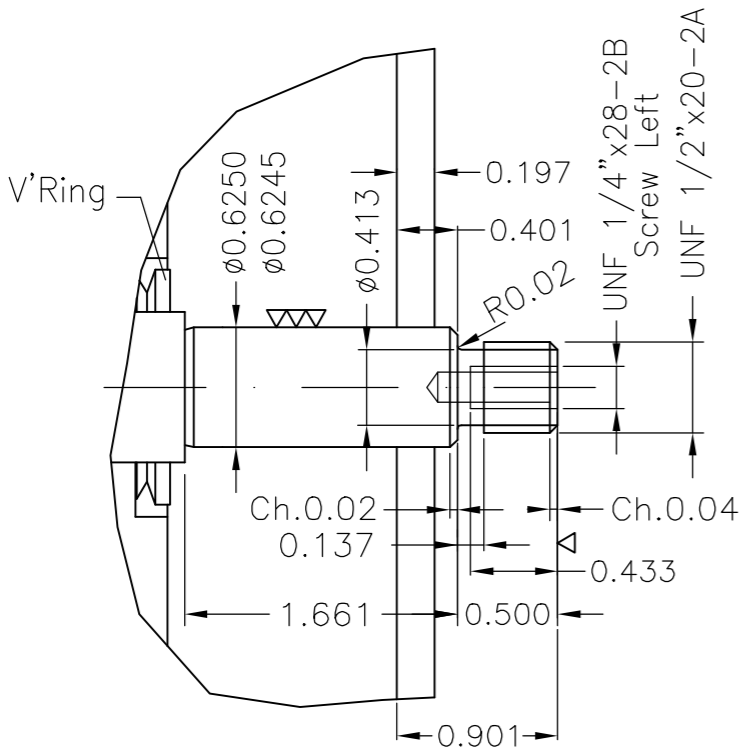
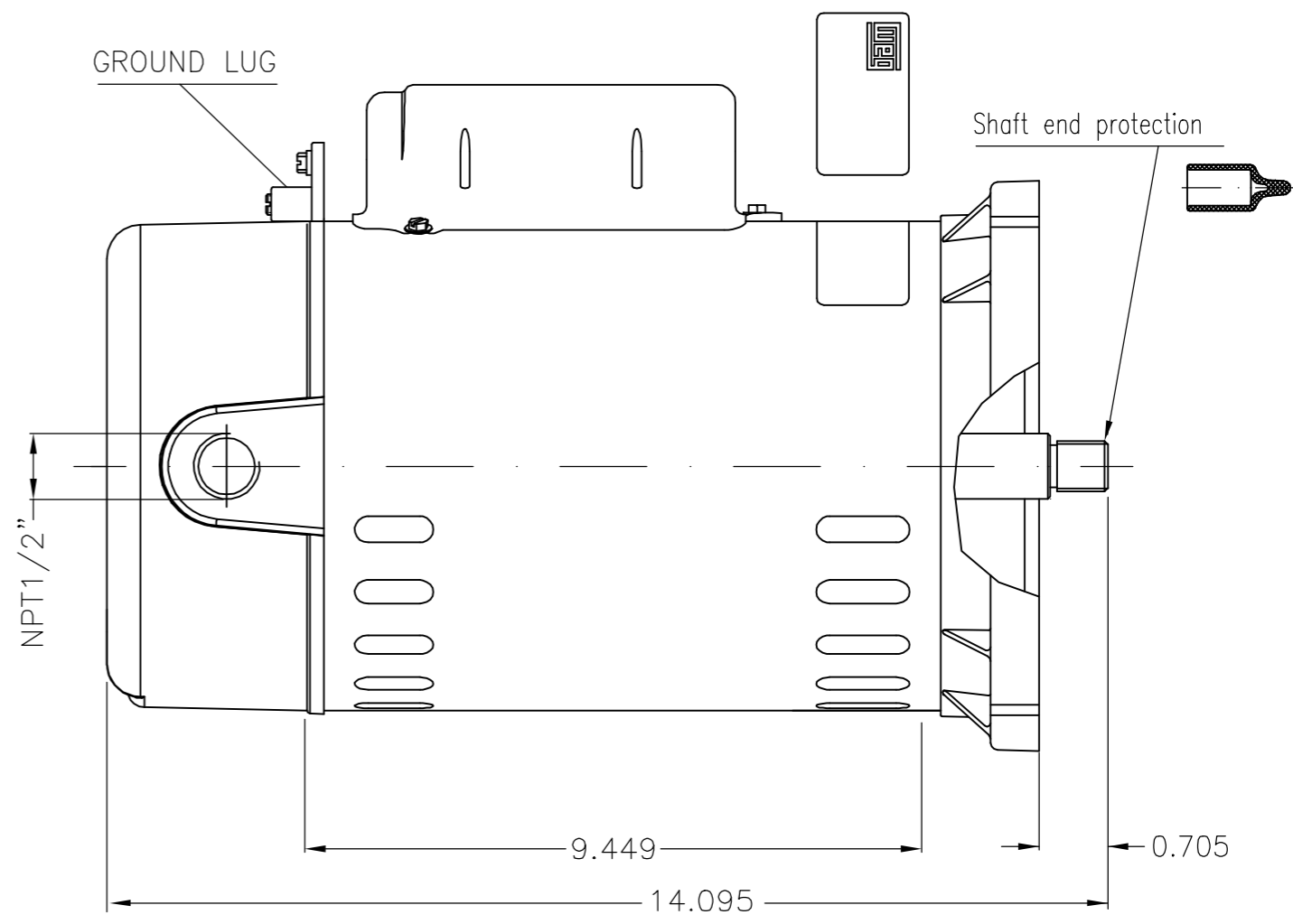
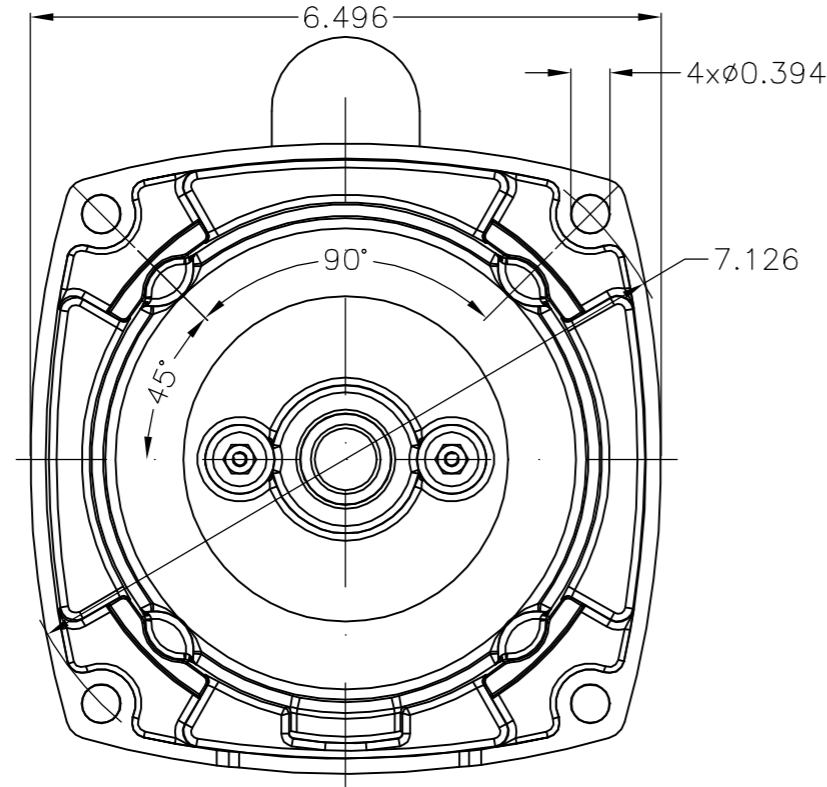


EIXO/SHAFT	
PADRÃO/STANDARD	X
OPCIONAL/OPTIONAL	
ESPECIAL/SPECIAL	

Dimensões em polegada
Dimensions in inch

THIS IS AN UPDATED REVISION, THE PREVIOUS ONE MUST BE DISREGARDED.

A
B
C
D
E



Material do Eixo - Aço inox AISI 316 / Shaft material - stainless steel AISI 316

Forma construtiva B14D / Mounting B14R(D)

WEG EQUIPAMENTOS ELETRICOS S/A

500001478755	DOCUMENTO NOVO	DEISEM	AKLOSOWSKI	AKLOSOWSKI	18.07.2018	00			
ECM	LOC	SUMMARY OF MODIFICATIONS			EXECUTED	CHECKED	RELEASED	DATE	VER
EXECUTED	DEISEM	SINGLE PHASE MOTOR POOL AND SPA			10005914922				
CHECKED	AKLOSOWSKI	FRAME M48Y IP21 ODP			000	00			
RELEASED	AKLOSOWSKI								
REL DT	18.07.2018	WMO	Jaragua do Sul	Product Engineering	SHEET	01 / 01			

2.5 HP	02 Poles	60Hz	C
2.0 HP	02 Poles	60Hz	B
1.5 HP	02 Poles	60Hz	A

UNCONTROLLED COPY
RELEASED
ZME A3