

1 2 3 4 5 6

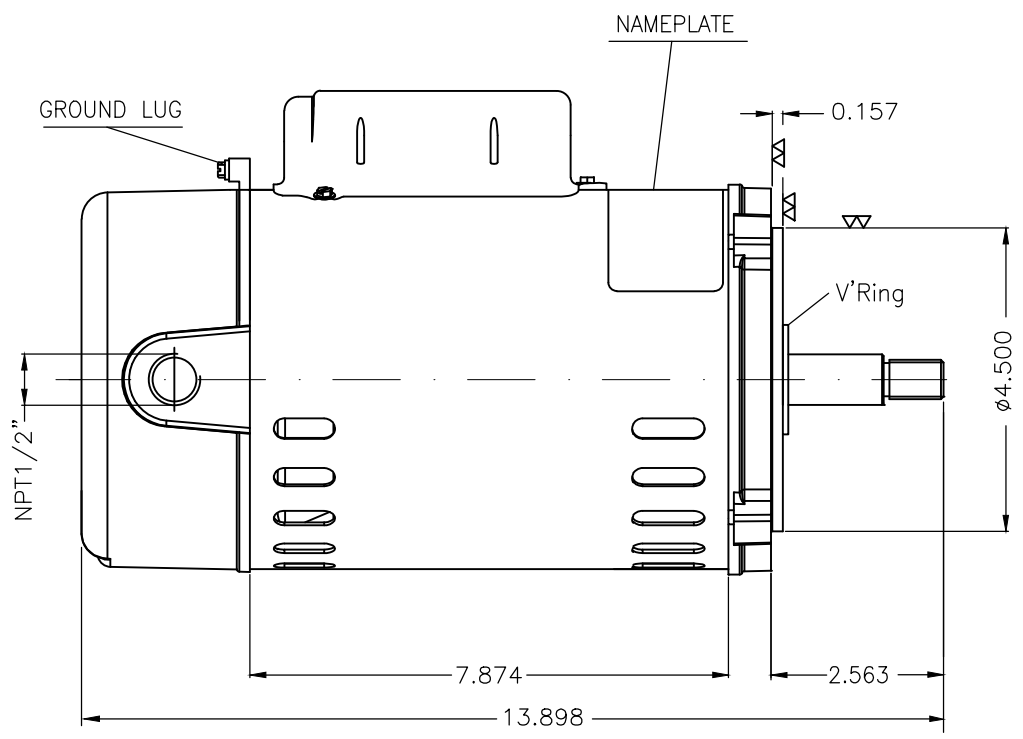
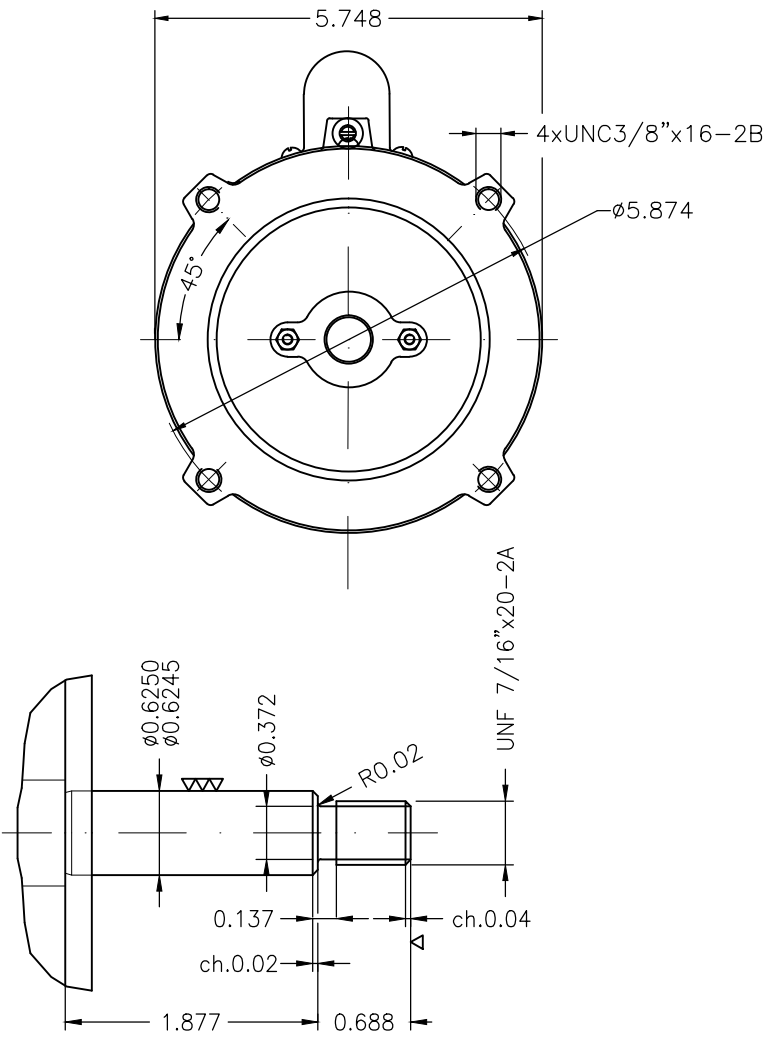
EIXO/SHAFT	
PADRÃO/STANDARD	X
OPCIONAL/OPTIONAL	
ESPECIAL/SPECIAL	

Dimensões em polegada
Dimensions in inches

**CERTIFIED
WEG MOTORES**
Certified document.
Not subject to changes.

THIS IS AN UPDATED REVISION, THE
PREVIOUS ONE MUST BE DISREGARDED.

A
B
C
D
E



Forma construtiva B14D / Mounting B14R(D)										
WEG ELECTRIC CORPORATION - WEC										
500001005609		corrigido nota oculta.			DEISEM					01
500001005609		DOCUMENTO NOVO			DEISEM		EMERSONRH	26.02.2015		00
ECM ECM	LOC LOC	RESUMO MODIFICAÇÃO SUMMARY OF MODIFICATIONS			EXECUTADO EXECUTED	VERIFICADO CHECKED	LIBERADO RELEASED	DATA DATE	VER VER	
C	EXEC. / EXECUTED	DEISEM	SINGLE PHASE MOTOR POOL & SPA			10003385151				
B	VERIF. / CHECKED		FRAME K56J IP21 (ODP)			000 01				
A	LIBER. / RELEASED	EMERSONRH	BOMBA DE PISCINA							
	DATA LB / REL DT	26.02.2015	WMO	JARAGUA DO SUL	ENGENHARIA DE PRODUTO	FOLHA / SHEET	1 / 1			

1/2 HP	02 Polos	60Hz
1/3 HP	02 Polos	60Hz
3/4 HP	02 Polos	60Hz