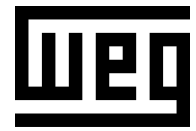


# DATA SHEET



## Three Phase Induction Motor - Squirrel Cage

Customer : \_\_\_\_\_

Product line : NEMA Premium Efficiency Three-Phase  
 Product code : 5160700  
 Catalog # : 00518ET3E184T-W22

Frame	: 182/4T	Locked rotor time	: 27s (cold) 15s (hot)
Output	: 5 HP (3.7 kW)	Temperature rise	: 80 K
Poles	: 4	Duty cycle	: Cont.(S1)
Frequency	: 60 Hz	Ambient temperature	: -20°C to +40°C
Rated voltage	: 230/460 V	Altitude	: 1000 m.a.s.l.
Rated current	: 12.9/6.45 A	Protection degree	: IP55
L. R. Amperes	: 96.7/48.4 A	Cooling method	: IC411 - TEFC
LRC	: 7.5x(Code J)	Mounting	: F-1
No load current	: 6.40/3.20 A	Rotation <sup>1</sup>	: Both (CW and CCW)
Rated speed	: 1755 rpm	Noise level <sup>2</sup>	: 56.0 dB(A)
Slip	: 2.50 %	Starting method	: Direct On Line
Rated torque	: 15.0 ft.lb	Approx. weight <sup>3</sup>	: 99.1 lb
Locked rotor torque	: 229 %		
Breakdown torque	: 320 %		
Insulation class	: F		
Service factor	: 1.25		
Moment of inertia (J)	: 0.4003 sq.ft.lb		
Design	: B		

Output	50%	75%	100%	Foundation loads	
Efficiency (%)	88.5	89.5	89.5	Max. traction	: 298 lb
Power Factor	0.62	0.74	0.80	Max. compression	: 397 lb

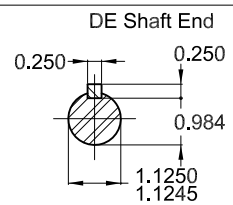
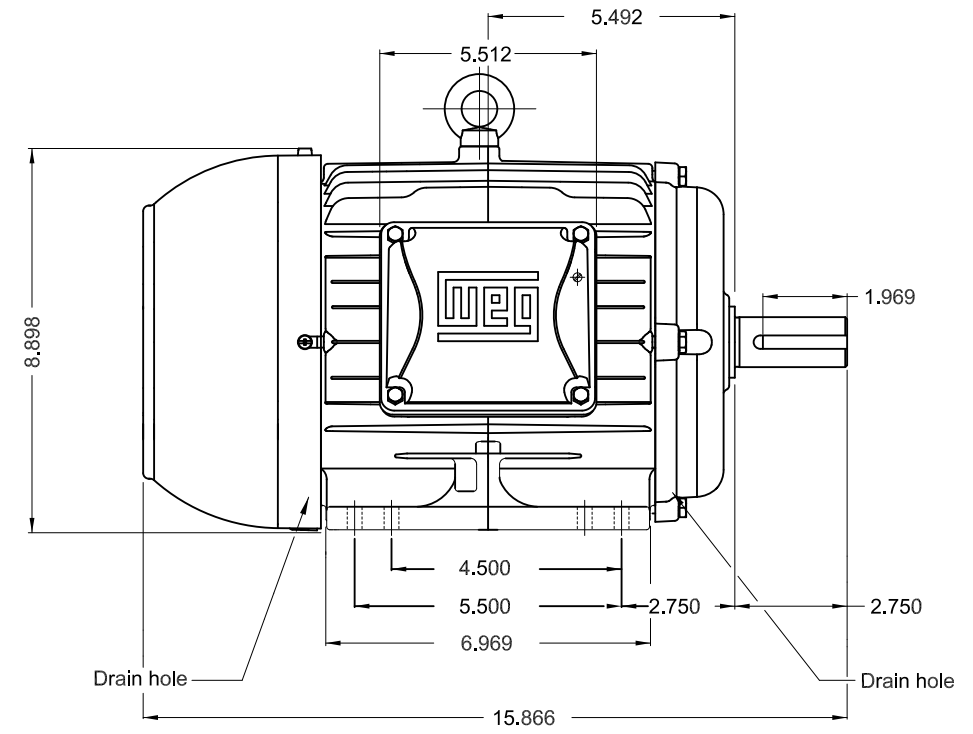
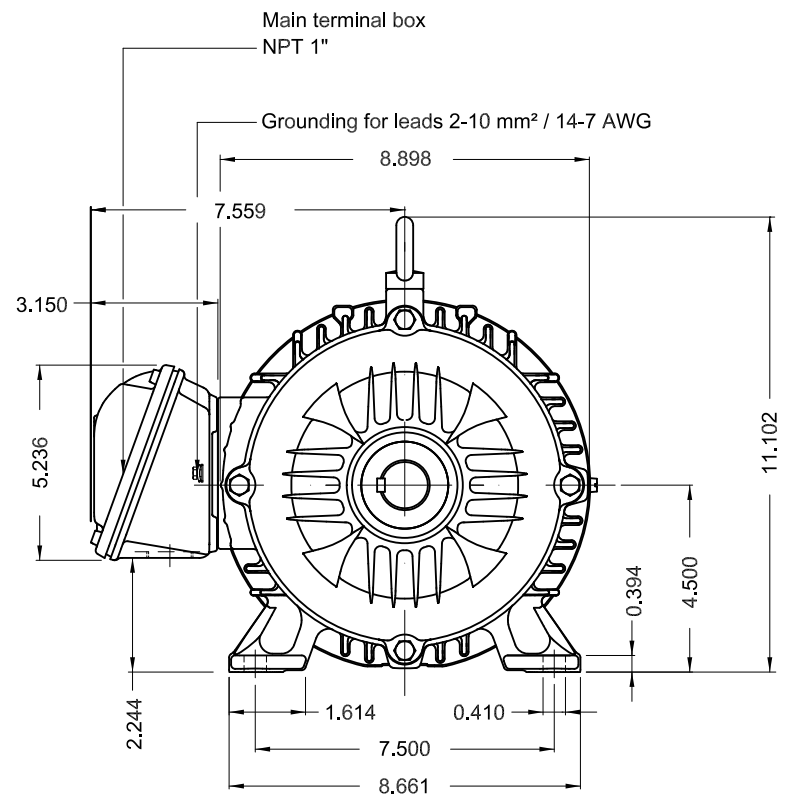
		<u>Drive end</u>	<u>Non drive end</u>
Bearing type	:	6207 ZZ	6206 ZZ
Sealing	:	V'Ring	V'Ring
Lubrication interval	:	-	-
Lubricant amount	:	-	-
Lubricant type	:	Mobil Polyrex EM	

Notes  
 USABLE @208V 14.3A SF 1.15 SFA 16.4A

This revision replaces and cancel the previous one, which must be eliminated.  
 (1) Looking the motor from the shaft end.  
 (2) Measured at 1m and with tolerance of +3dB(A).  
 (3) Approximate weight subject to changes after manufacturing process.  
 (4) At 100% of full load.

These are average values based on tests with sinusoidal power supply, subject to the tolerances stipulated in NEMA MG-1.

Rev.	Changes Summary	Performed	Checked	Date
Performed by				
Checked by			Page	Revision
Date	23/06/2022		1 / 1	



Color RAL 5009  
 Painting plan 207A  
 Mounting B3R(D)

5 HP 04 Poles 60 Hz

ECM	LOC	SUMMARY OF MODIFICATIONS	EXECUTED	CHECKED	RELEASED	DATE	VER
EXECUTED	HYBRISUSER	THREE PH. MOTOR W22 PREM. EFF.					
CHECKED		FRAME 182/4T IP55 TEFC					
RELEASED							
REL DT.	WMO	Jaragua do Sul	Product Engineering				

**PREVIEW**  
 WDD



SHEET 1 / 1

MADE IN BRAZIL  
11416668



MODEL 00518ET3E184T-W22

Inverter Duty Motor  
Severe Duty



For use on 60Hz  
Class I, Div 2, Gr A, B, C and D - T3  
Class I, Zone 2, IIC - T3  
Class II, Div 2, Gr F and G - T5  
For use on PWM: Gr. A, B, C, D, F and G,  
VT 1000:1, CT 20:1, 1.00SF - T4A



FOR SAFE AREA  
Mod. TE1BFOXON  
CC029A

PH3 60Hz Fr. 182/4T 1000m.a.s.l. IP55 TEFC 99lb

V 230/460

A 12.9/6.45

HP 5.0

kW 3.7

SF 1.25

SFA 16.1/8.06

RPM 1755

PF 0.80

AMB 40°C

INS cl. F DT80K

NEMA NOM EFF 89.5%

DUTY CONT.

DES B Code J

USABLE @208V 14.3A SF 1.15 SFA 16.4

5.0HP 3.7kW 50Hz 380V 7.74A 1440RPM SF 1.15 SFA 8.90 EFF 86.5% (IE2)

