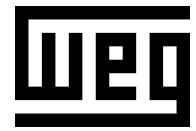


DATA SHEET



Three Phase Induction Motor - Squirrel Cage

Customer : _____

Product line : NEMA Premium Efficiency Three-Phase
 Product code : 5160749
 Catalog # : 04018ET3E324T-W22

Frame	: 324/6T	Locked rotor time	: 36s (cold) 20s (hot)
Output	: 40 HP (30 kW)	Temperature rise	: 80 K
Poles	: 4	Duty cycle	: Cont.(S1)
Frequency	: 60 Hz	Ambient temperature	: -20°C to +40°C
Rated voltage	: 230/460 V	Altitude	: 1000 m.a.s.l.
Rated current	: 94.2/47.1 A	Protection degree	: IP55
L. R. Amperes	: 575/287 A	Cooling method	: IC411 - TEFC
LRC	: 6.1x(Code G)	Mounting	: F-1
No load current	: 34.0/17.0 A	Rotation ¹	: Both (CW and CCW)
Rated speed	: 1770 rpm	Noise level ²	: 66.0 dB(A)
Slip	: 1.67 %	Starting method	: Direct On Line
Rated torque	: 119 ft.lb	Approx. weight ³	: 562 lb
Locked rotor torque	: 229 %		
Breakdown torque	: 240 %		
Insulation class	: F		
Service factor	: 1.25		
Moment of inertia (J)	: 9.16 sq.ft.lb		
Design	: B		

Output	50%	75%	100%	Foundation loads	
Efficiency (%)	93.6	94.1	94.1	Max. traction	: 980 lb
Power Factor	0.72	0.80	0.85	Max. compression	: 1542 lb

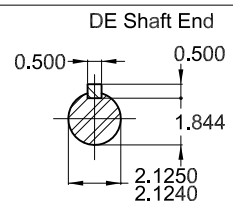
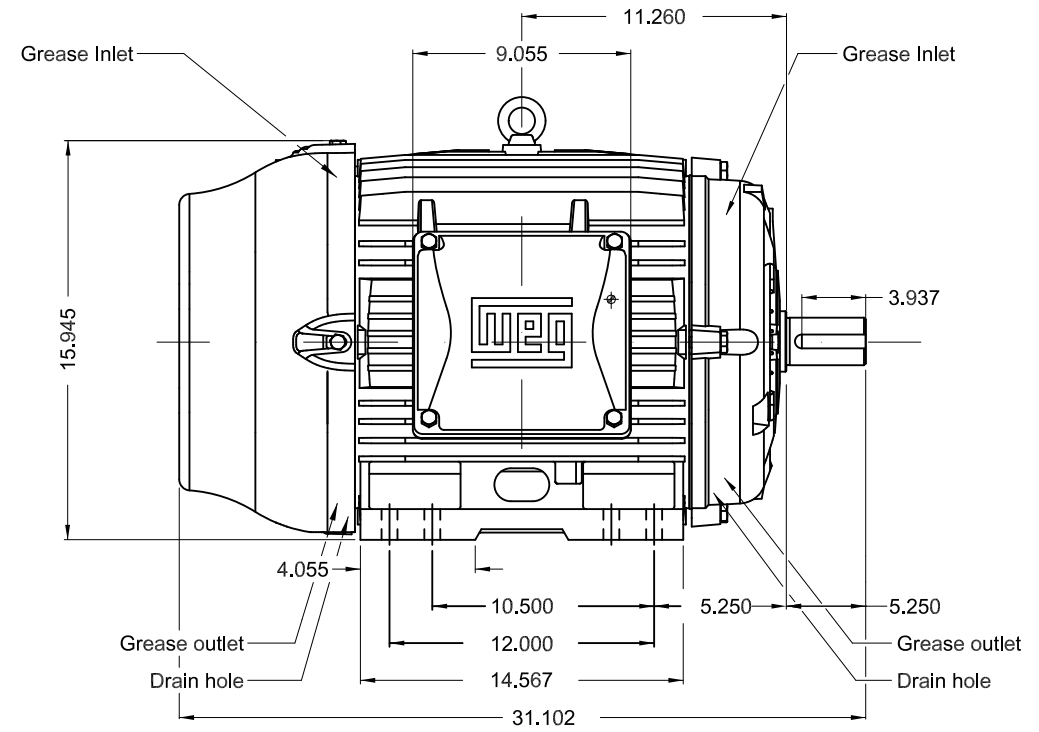
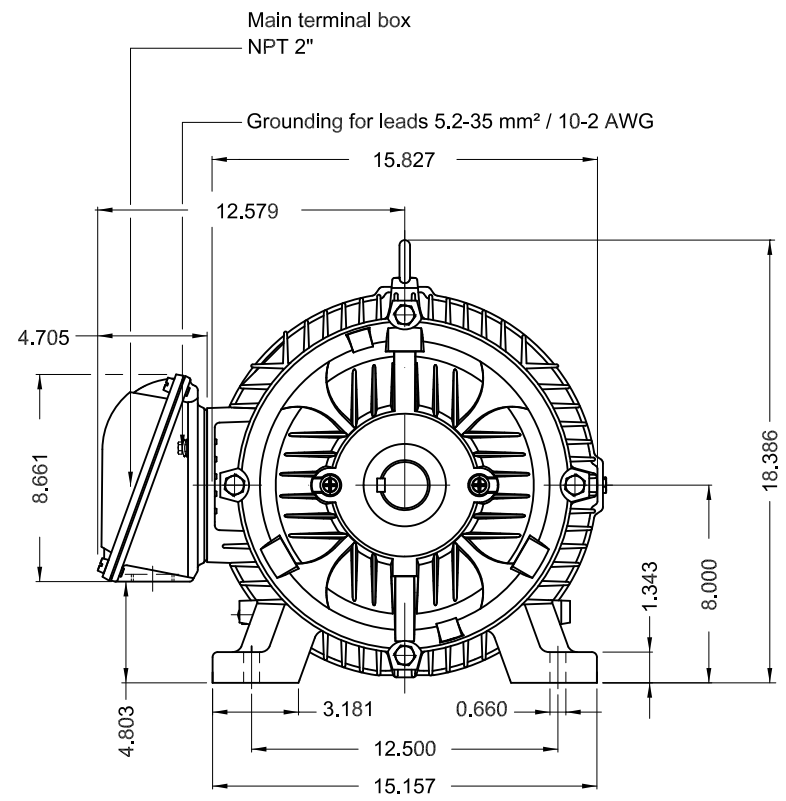
	Drive end	Non drive end
Bearing type	: 6312 C3	: 6212 C3
Sealing	: V'Ring	: V'Ring
Lubrication interval	: 20000 h	: 20000 h
Lubricant amount	: 21 g	: 13 g
Lubricant type	: Mobil Polyrex EM	

Notes
 USABLE @208V 104A SF 1.15 SFA 120A

This revision replaces and cancel the previous one, which must be eliminated.
 (1) Looking the motor from the shaft end.
 (2) Measured at 1m and with tolerance of +3dB(A).
 (3) Approximate weight subject to changes after manufacturing process.
 (4) At 100% of full load.

These are average values based on tests with sinusoidal power supply, subject to the tolerances stipulated in NEMA MG-1.

Rev.	Changes Summary	Performed	Checked	Date
Performed by				
Checked by			Page	Revision
Date	23/06/2022		1 / 1	



Without vertical jackscrews
 Color RAL 5009
 Painting plan 203A
 Mounting B3R(D)

40 HP 04 Poles 60 Hz

ECM	LOC	SUMMARY OF MODIFICATIONS	EXECUTED	CHECKED	RELEASED	DATE	VER
EXECUTED	HYBRISUSER	THREE PH. MOTOR W22 PREM. EFF.					
CHECKED		FRAME 324/6T IP55 TEFC					
RELEASED							
REL DT.	WMO	Jaragua do Sul	Product Engineering				

PREVIEW
 WDD



SHEET 1 / 1

MODEL 04018ET3E324T-W22
MADE IN MEXICO
11723922



W22
CC029A



Inverter Duty Motor
Severe Duty



FOR SAFE AREA
MOD.TE1BFOXON

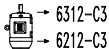
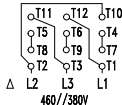
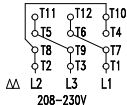


For 60Hz: Class I, Div 2, Gr. A, B, C and D - T3
Class I, Zone 2, IIC - T3

Class II, Div 2, Gr. F and G - T4

For 60Hz use on PWM, Gr. A, B, C, D and F,
VT 1000:1, CT 20:1, 1.0SF, T3A

PH 3	FR 324/6T	HP(kW) 40.0(30.0)		Hz 60	
V 230/460		A 94.2/47.1		RPM 1770	DES B
NEMA NOM EFF 94.1 %		INS. CL. F ΔT 80 K		IP55	
ENCL TEFC		DUTY CONT.		AMB. 40°C	
CODE G	PF 0.85	SF 1.25	SFA 118/58.9		
USABLE @208V 104 A		SF 1.15	SFA 120		
40HP 30kW 50Hz 380V 57.4A 1460RPM SF1.00 EFF 92.4% (IE2)				ALT 1000	m.a.s.l.



MOBIL POLYREX EM
21 g 20000 h

ALT 1000 m.a.s.l. 573 Lbs