



# Technical Data

## Multi-Stage Centrifugal Pump - GSPM-212L

Revision no.

Page:  
 1

Receiver

From

Company name  
 Respons. Department  
 Person in charge  
 Phone number  
 Fax no  
 E-mail address

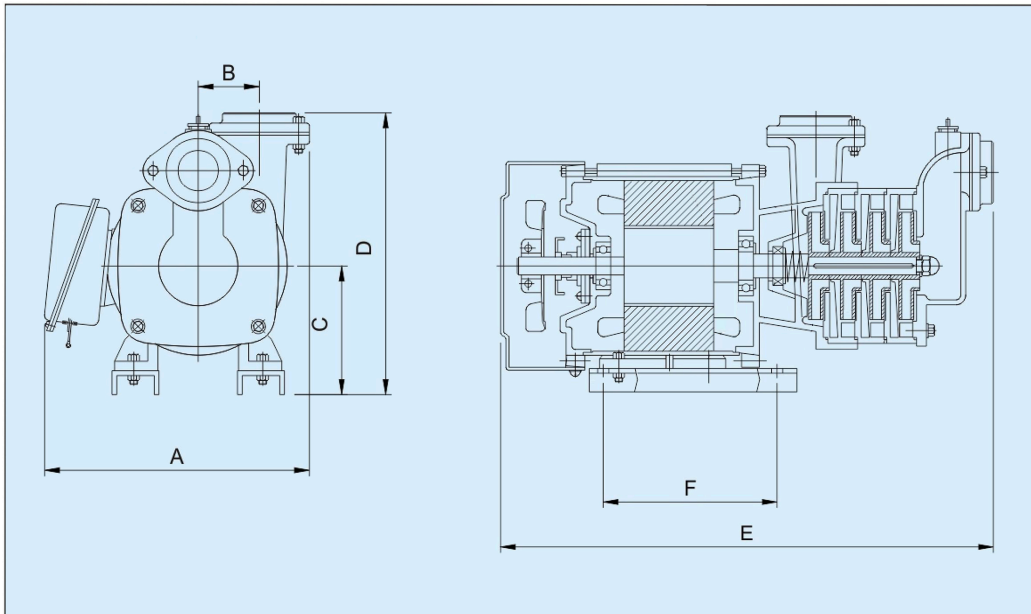




**Brand: Gol Pumps**  
**Model: GSPM-212L**

<b>Weight (lb)</b>
88.2

**Dimensions:**



Flange (inch)	
Inlet	Outlet
1.5	1.5

Pump Installation Size (inch)					
A	B	C	D	E	F
10.1	2.7	4.9	11.1	19	7.9

Project	Project ID	Created by	Created on	Last update
---------	------------	------------	------------	-------------



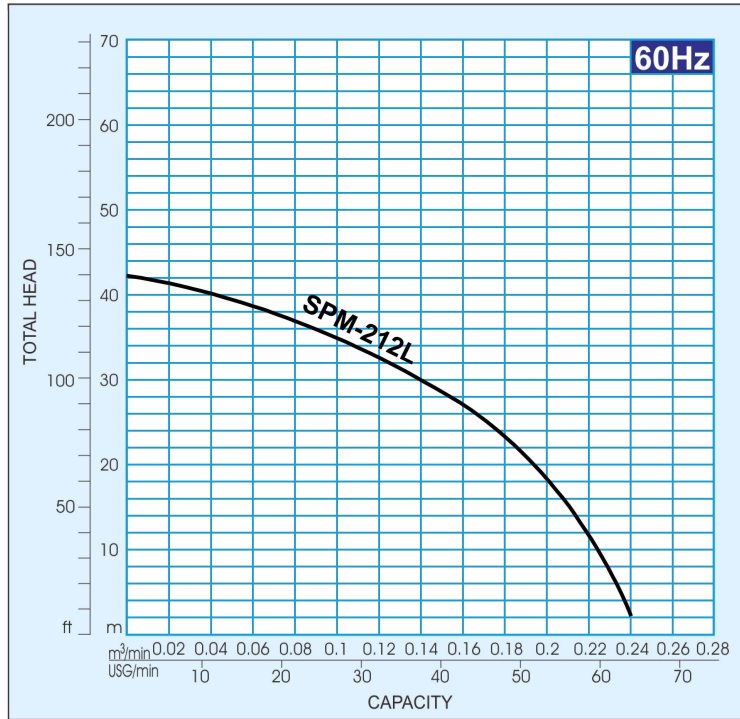
# Performance Curves

## Multi-Stage Centrifugal Pump - GSPM-212L

Revision no. \_\_\_\_\_  
 Page: 2

	Receiver	From
Company name		
Respons. Department		
Person in charge		
Phone number		
Fax no		
E-mail address		

Model	Voltage	Phase	Power		Discharge Diam.	Max. Head	Max. Flow	
	v	ph	hp	kw	in	ft	m <sup>3</sup> /min	gpm
<b>GSPM-212L</b>	230	1	2	1.5	1.5	137.8	0.24	63.4



### Parts List:

NO.	PARTS LIST	MATERIAL
3	Motor Head Cover	Cast iron
5	Centrifugal Switch	
7A	Bearing (Upper)	
7B	Bearing (Lower)	
9	Coil	
10	Shaft	SUS 304
13	Motor Casing	Cast iron
15	Mechanical Seal	Ceramic + Carbon
16A	Flange Setter	Cast iron
16B	Flange Setter	Cast iron
17	Motor Lower Cover	Cast iron
20	Pump Casing	Cast iron
21A	Impeller	Bronze
21B	Impeller	Bronze
22	Suction cover	Cast iron
30	Cooling Fan	Plastic
31	Fan Cover	Steel
52	Key	Steel
53	Plug	Plastic
70A	O-ring	NBR
70B	O-ring	NBR
72A	Outlet Rubber	Rubber
72B	Outlet Rubber	Rubber
90	Support	Steel
108	Nut	Bronze

Project	Project ID	Created by	Created on	Last update
---------	------------	------------	------------	-------------