



Technical Data

Centrifugal Wastewater Pump - GCVQ-112K

Revision no.

Page:
1

Receiver

From

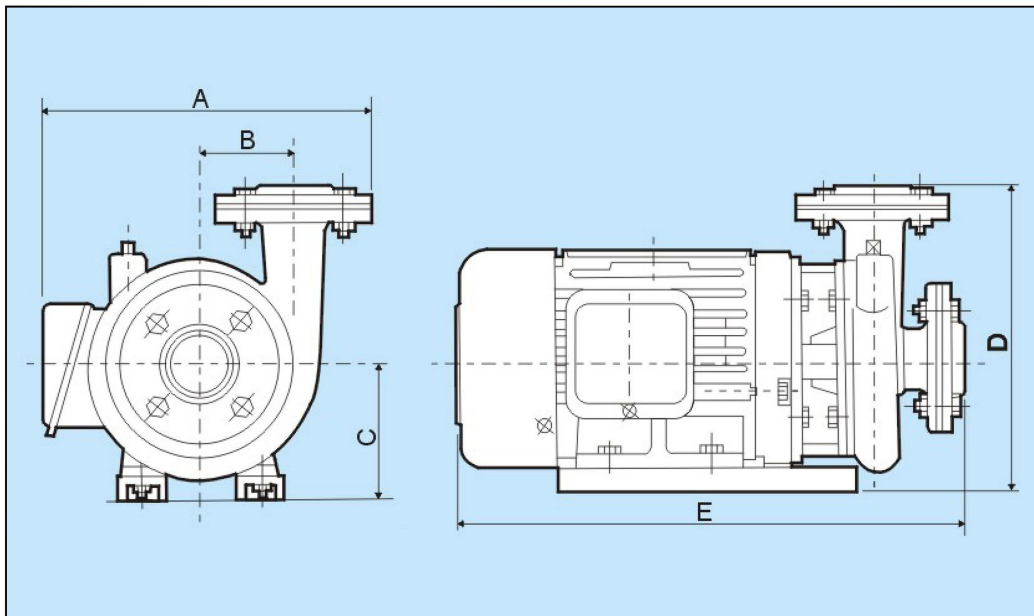
Company name
Respons. Department
Person in charge
Phone number
Fax no
E-mail address



Brand: Gol Pumps
Model: GCVQ-112K

Weight (lb)
48.5

Dimensions:



Flange (inch)	
Inlet	Outlet
1.5	1.5

Pump Installation Size (inch)				
A	B	C	D	E
11.4	3	4.5	9.8	15.4

Project

Project ID

Created by

Created on

Last update



Performance Curves

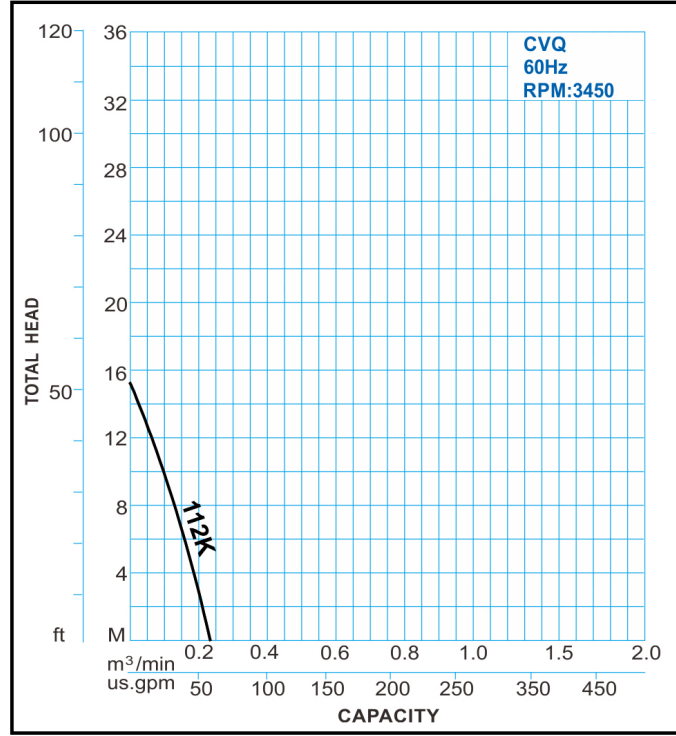
Centrifugal Wastewater Pump - GCVQ-112K

Revision no. _____
 Page: 2

Company name _____
 Respons. Department _____
 Person in charge _____
 Phone number _____
 Fax no _____
 E-mail address _____

Receiver	From

Model	Voltage	Phase	Power		Discharge Diam.	Max. Head	Max. Flow		Solid Passage
	v	ph	hp	kw	in	ft	m ³ /min	gpm	Ø in
GCVQ-112K	115-230	1	1	0.75	1.5	49.2	0.21	55.5	0.39



Parts List:

No.	PART LIST	MATERIAL
3	Motor Head Cover	Cast Iron
4	Condenser	1Ø only
5	Centrifugal Switch	1Ø only
7	Upper Ball Bearing	
9	Coil	
10	Shaft	Stainless Steel
11	Rotor	Steel Plate
12	Stator	Steel Plate
13	Motor Casing	Cast Iron
15	Mechanical Seal	Silicon Carbide + Viton
16	Flange Setter	Stainless Steel Casting
17	Motor Lower Cover	Cast Iron
20	Pump Casing	Stainless Steel Casting
21	Impeller	Stainless Steel Casting
29	Pump Bracket	Stainless Steel Casting
30	Cooling Fan	Plastic
31	Fan Cover	Steel

Project	Project ID	Created by	Created on	Last update
---------	------------	------------	------------	-------------