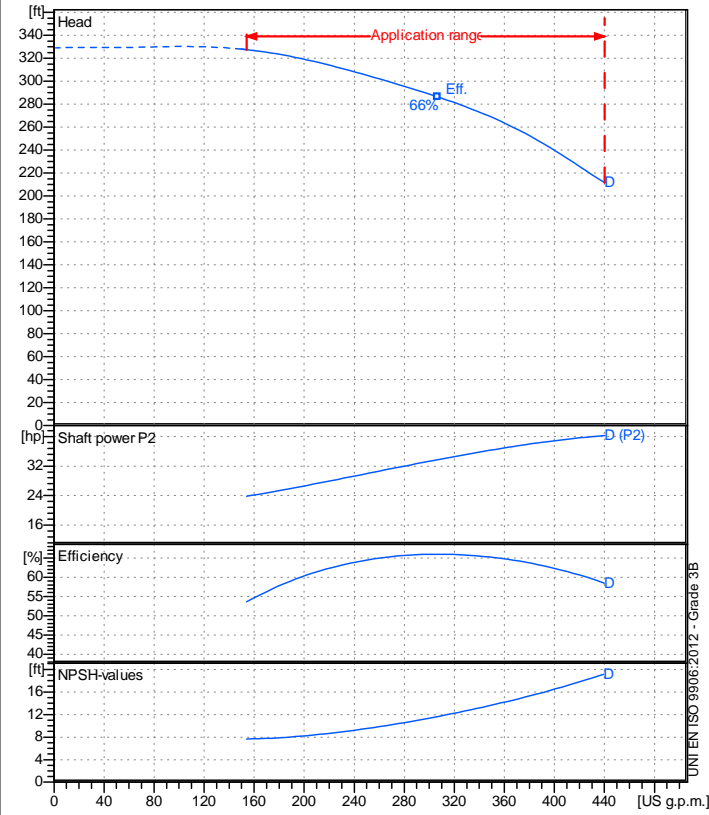


Company name
 Respons. Department
 Person in charge
 Phone number
 Fax no
 E-mail address

Receiver	From



Operating data specification

Nominal flow	US g.p.m. 0
Nominal head	ft 0
Static head	ft 0
NPSH - v value of plant	ft 0
Inlet pressure	psi 1.42
Fluid	Water, pure
Operating temperature t A	°F 68
Density at t A	lb/ft³ 62.32
Kin. viscosity at t A	ft²/s 1.082E-5

Pump		
Pump name	NCB 50-250 N D	
Size	65/50/250	
Design		
Speed rpm	3600	
No of stages	1	
Impeller type		
Flow	Nominal	US g.p.m.
	Max-	US g.p.m. 440
	Min-	US g.p.m. 154
Head	Nominal	ft
	Max-	ft 328
	Min-	ft 212
Head H(Q=0)	ft 329	
NPSH 3%	ft	
Max. working pressure	psi 142	
Shaft power	hp	
Efficiency	%	
Max absorbed power	hp 40.269	

Materials Pump

Shaft	Stainless steel AISI 431 (1.4057)		
Impeller	Cast iron EN-GJL-250		
Pump body	Cast iron EN-GJL-250		
Seal disc	Cast iron EN-GJL-250		
Gasket	Natural fiber		
Mech. seal EN 12756			
Seal face	Carbon graphite resin impreg.		
Seat	Alumina Oxide		
Rubber elements	EPDM Rubber		
Spring and metal bellows	Stainless steel AISI 316		
Motor	Frame size		
Manufacturer / Type			
Rated power	hp	Efficiency	4/4
Electric current	A	Speed	rpm
Electric voltage	V		Hz
Starting mode			
Degree of protection	Insulation class		

Dimensions in inch

a	3 ¹⁵ / ₁₆	n2	9 ¹³ / ₁₆
A	3/8"	s	9/16
B	3/8"	t	1 ¹ / ₁₆
b	2 ⁹ / ₁₆	u	5/16
C	1/4"	w	10 ¹ / ₄
d k6	1 ⁵ / ₁₆	x	3 ¹⁵ / ₁₆
D	3/8"		
DNA	DN 65		
DNM	DN 50		
f	14 ³ / ₁₆		
h1	7 ¹ / ₁₆		
h2	8 ⁷ / ₈		
l	1 ¹⁵ / ₁₆		
m1	4 ¹⁵ / ₁₆		
m2	3 ³ / ₄		
n1	12 ⁵ / ₈		

C	4	C	4 ¹³ / ₁₆
D	6 ¹ / ₂	D	7 ⁵ / ₁₆
DN	1 ⁵ / ₁₆	DN	2 ⁹ / ₁₆
K	4 ¹⁵ / ₁₆	K	5 ¹ / ₁₆
n°	3/16	n°	3/16
ø n	3/4	ø n	3/4

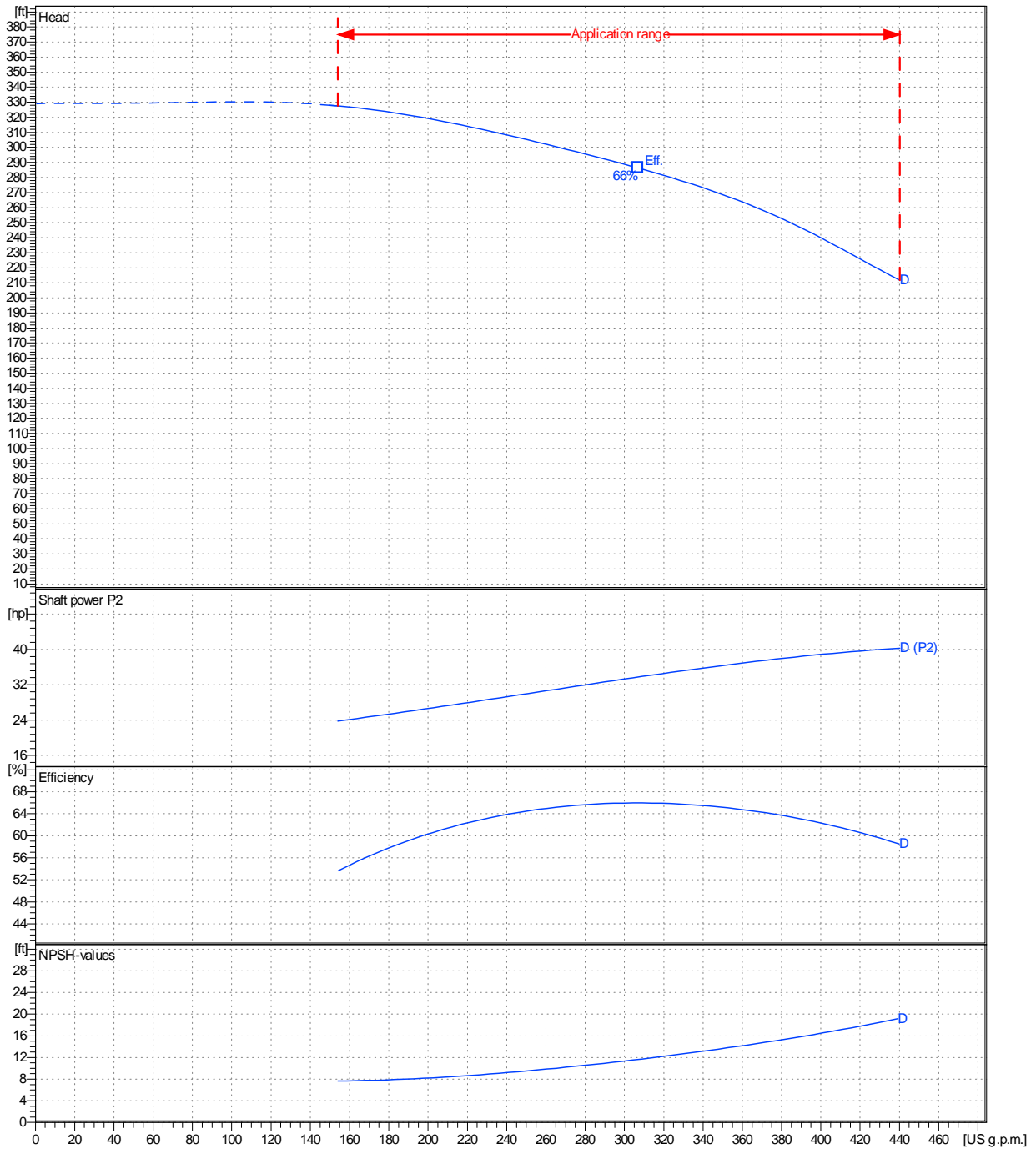
Remarks:			
Project	Project ID	Created by	Created on
			2022-08-31
			Last update

Receiver	From

Company name
 Respons. Department
 Person in charge
 Phone number
 Fax no
 E-mail address

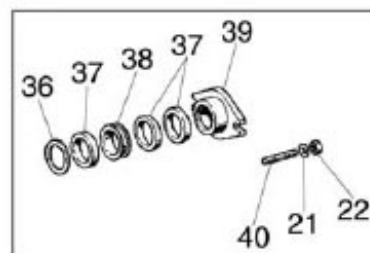
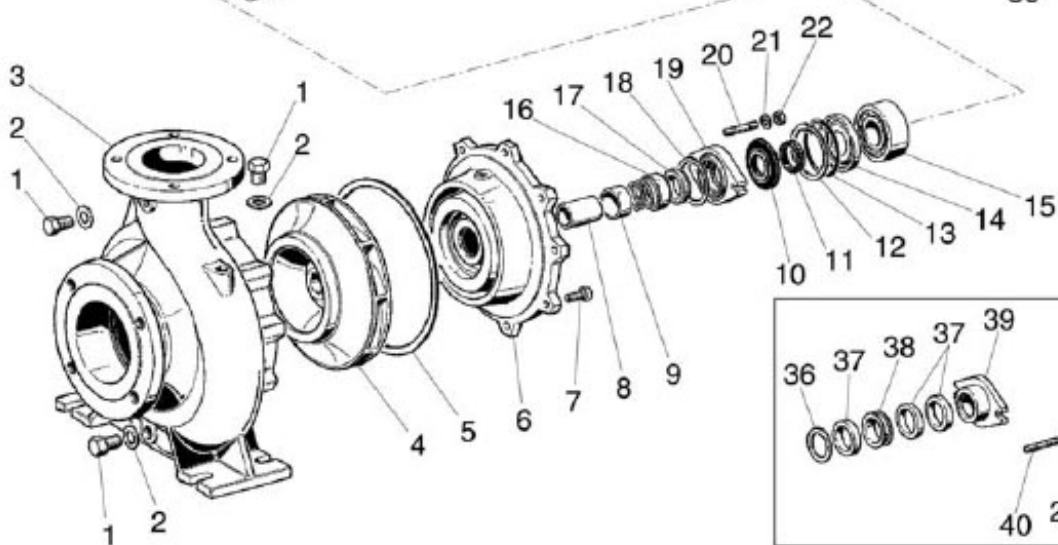
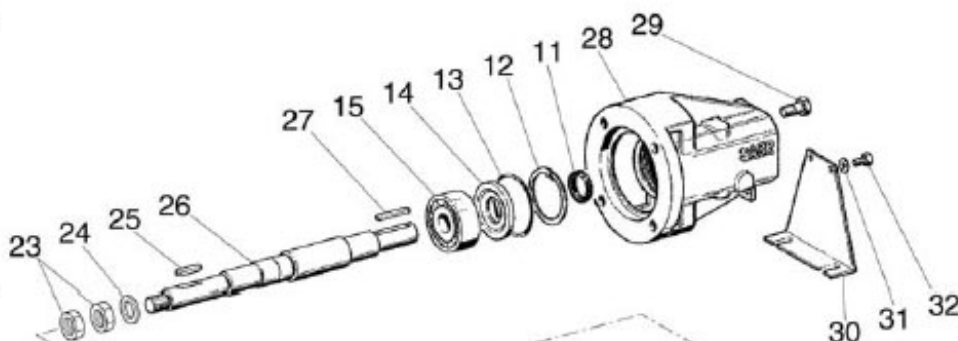
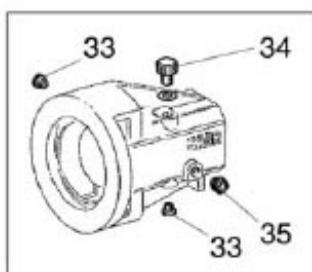
Operating area	Flow	Head	Impeller type
Operating data specification	0 US g.p.m.	0 ft	Impeller construction Closed
Pump data	US g.p.m.	ft	Sense of rotation Clockwise from the drive end
			Outlet width DN 50
	Flow	Head	Shaft power P2
	Min. Max. η Max.	H(Q=0) η Max.	P2(Q=0) Max. η Max.
	US g.p.m. US g.p.m. US g.p.m.	ft ft	hp hp hp
	154 440 307	329 286	40.3 33.7
			Speed rpm 3600
			Frequency Hz

Performance data based to: Water, pure [100%] ; 68°F; 62.3lb/ft³; 1.08E-5ft²/s UNI EN ISO 9906:2012 - Grade 3B



Project	Project ID	Created by	Created on 2022-08-31	Last update
---------	------------	------------	---------------------------------	-------------

Company name
Respons. Department
Person in charge
Phone number
Fax no
E-mail address



Project	Project ID	Created by	Created on 2022-08-31	Last update
---------	------------	------------	--------------------------	-------------