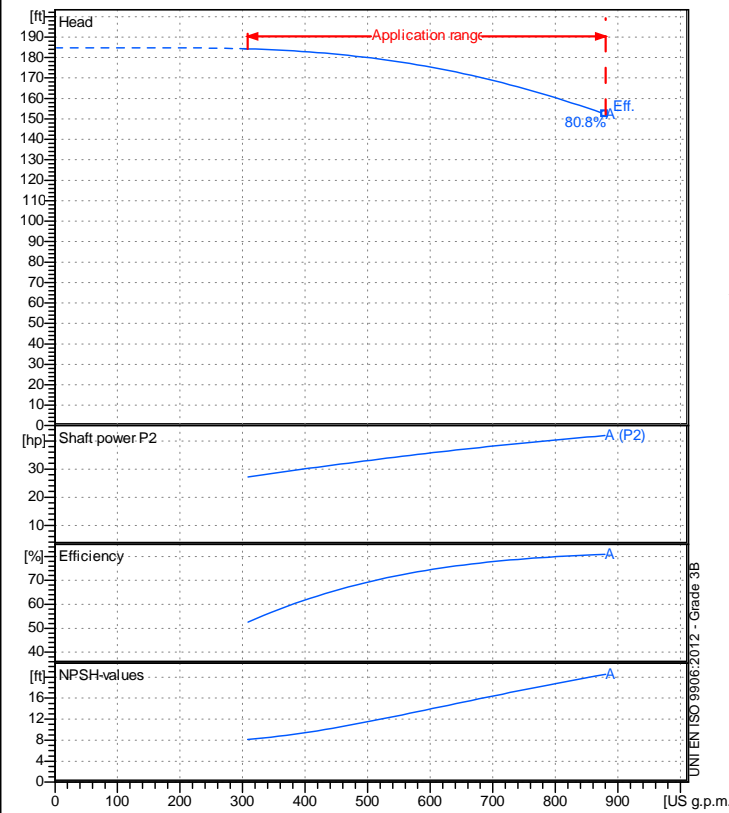


Receiver

From

 Company name
 Respons. Department
 Person in charge
 Phone number
 Fax no
 E-mail address

Operating data specification

Nominal flow	US g.p.m.	0
Nominal head	ft	0
Static head	ft	0
NPSH - v value of plant	ft	0
Inlet pressure	psi	1.42
Fluid	Water, pure	
Operating temperature t A	°F	68
Density at t A	lb/ft³	62.32
Kin. viscosity at t A	ft²/s	1.082E-5

Pump

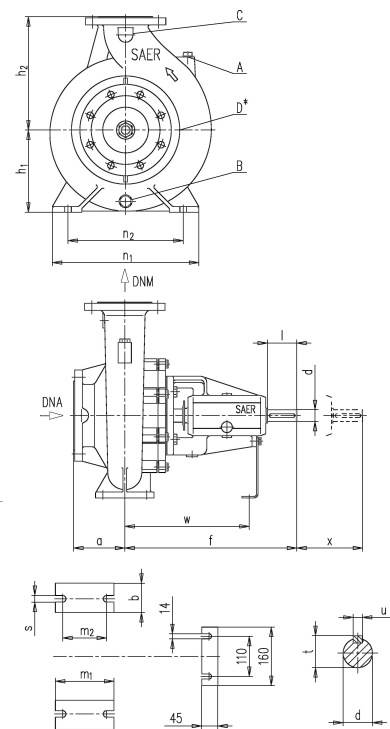
Pump name		NCB 80-160 A	
Size		100/80/160	
Design			
Speed rpm	3600	No of stages	1
Impeller type			
Flow	Nominal	US g.p.m.	
	Max-	US g.p.m.	881
	Min-	US g.p.m.	308
Head	Nominal	ft	
	Max-	ft	184
	Min-	ft	152
Head H(Q=0)		ft	185
NPSH 3%		ft	
Max. working pressure		psi	80
Shaft power		hp	
Efficiency		%	
Max absorbed power		hp	41.874

Materials Pump

Shaft	Stainless steel AISI 431 (1.4057)		
Impeller	Cast iron EN-GJL-250		
Pump body	Cast iron EN-GJL-250		
Seal disc	Cast iron EN-GJL-250		
Gasket	Natural fiber		
Mech. seal EN 12756			
Seal face	Carbon graphite resin impreg.		
Seat	Alumina Oxide		
Rubber elements	EPDM Rubber		
Spring and metal bellows	Stainless steel AISI 316		
Motor	Frame size		
Manufacturer / Type			
Rated power	hp	Efficiency	4/4
Electric current	A	Speed	rpm
Electric voltage	V		Hz
Starting mode			
Degree of protection		Insulation class	

Dimensions in inch

a	4 ¹⁵ / ₁₆	n2	9 ¹³ / ₁₆
A	3/8"	s	9/16
B	3/8"	t	1 ¹ / ₁₆
b	2 ⁹ / ₁₆	u	5/16
C	1/4"	w	10 ¹ / ₄
d k6	1 ¹⁵ / ₁₆	x	5 ¹ / ₂
D	1/4"		
DNA	DN 100		
DNM	DN 80		
f	14 ³ / ₁₆		
h1	7 ¹ / ₁₆		
h2	8 ⁷ / ₈		
l	1 ¹⁵ / ₁₆		
m1	4 ¹⁵ / ₁₆		
m2	3 ³ / ₄		
n1	12 ⁵ / ₈		



C	5/16	C	6/4
D	7/8	D	8 ¹¹ / ₁₆
DN	3/8	DN	3 ⁹ / ₁₆
K	6 ⁹ / ₁₆	K	7 ¹ / ₁₆
n°	3/16	n°	5/16
ø n	3/4	ø n	3/4

Remarks:

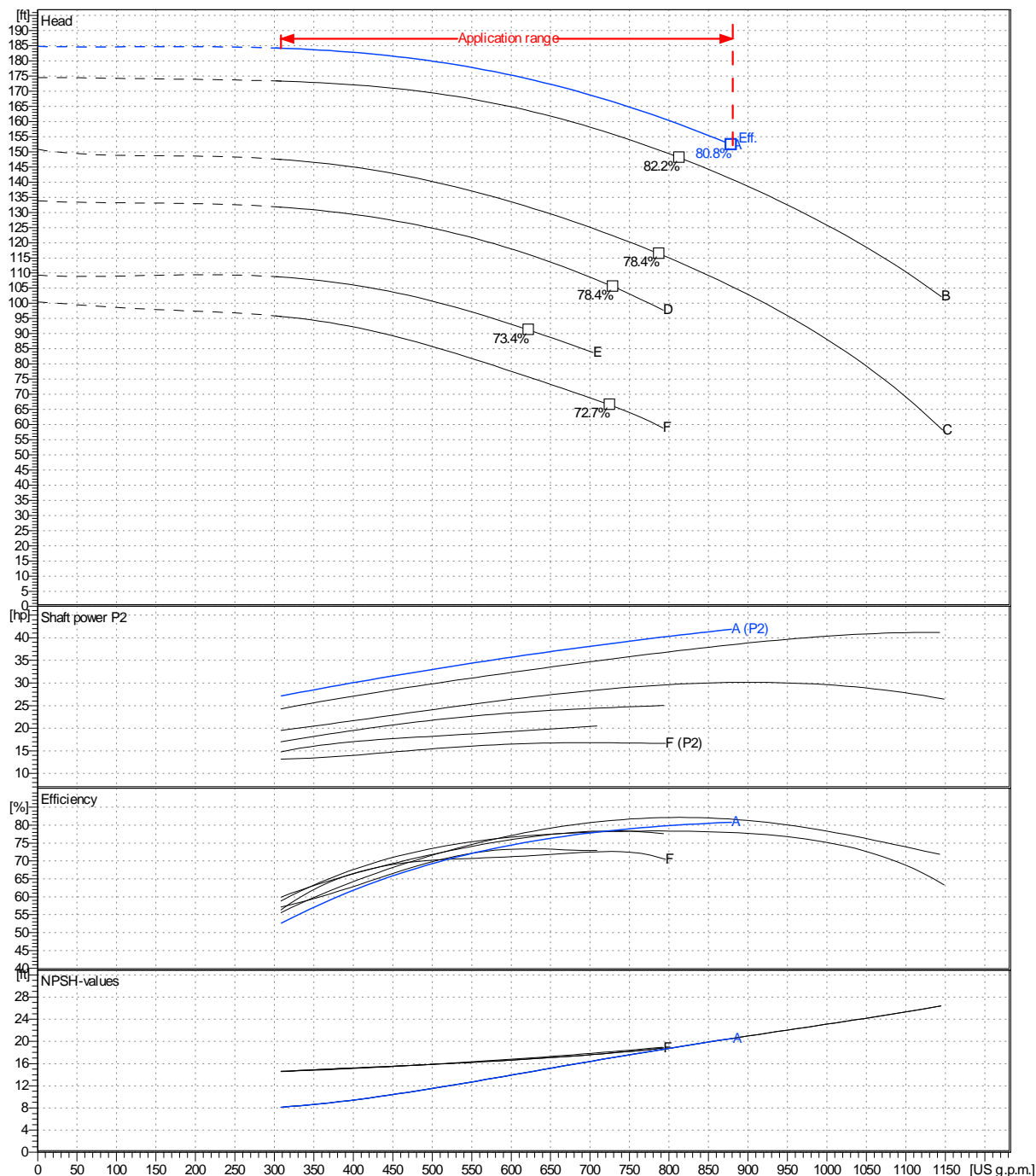
Project	Project ID	Created by	Created on	Last update
			2022-08-31	

Receiver	From
Company name	
Respons. Department	
Person in charge	
Phone number	
Fax no	
E-mail address	

Operating area	Flow	Head	Impeller type
Operating data specification	0 US g.p.m.	0 ft	Impeller construction: Closed
Pump data	US g.p.m.	ft	Sense of rotation: Clockwise from the drive end
			Outlet width: DN 80
	Flow	Head	Shaft power P2
	Min. Max. η Max.	H(Q=0) η Max.	P2(Q=0) Max. η Max.
	US g.p.m. US g.p.m. US g.p.m.	ft ft	hp hp hp
	308 881 879	185 152	41.9 41.9
			Speed rpm 3600
			Frequency Hz

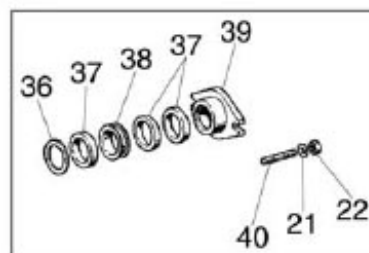
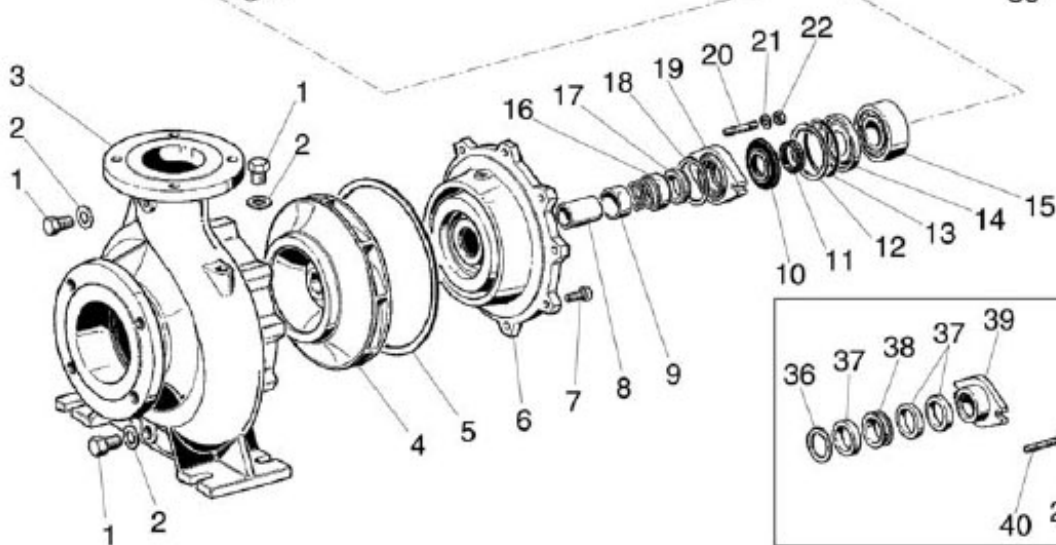
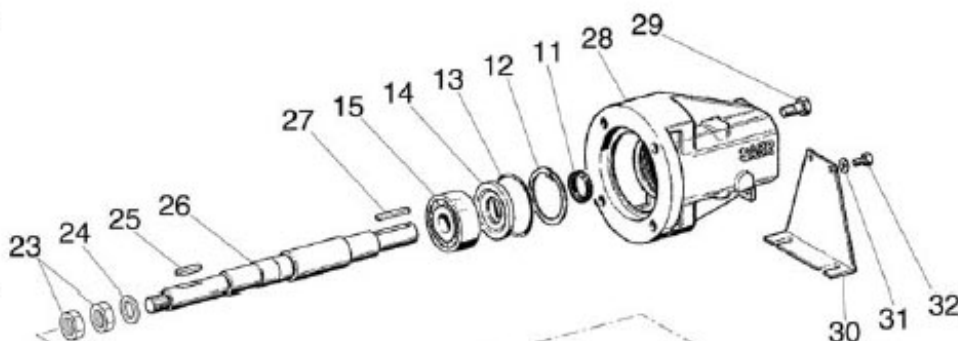
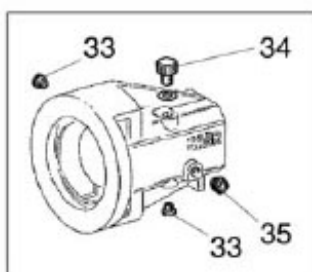
Performance data based to: Water, pure [100%] ; 68°F; 62.3lb/ft³; 1.08E-5ft²/s

UNI EN ISO 9906:2012 - Grade 3B



Project	Project ID	Created by	Created on	Last update
			2022-08-31	

Company name
Respons. Department
Person in charge
Phone number
Fax no
E-mail address



Project

Project ID

Created by

Created on
2022-08-31

Last update