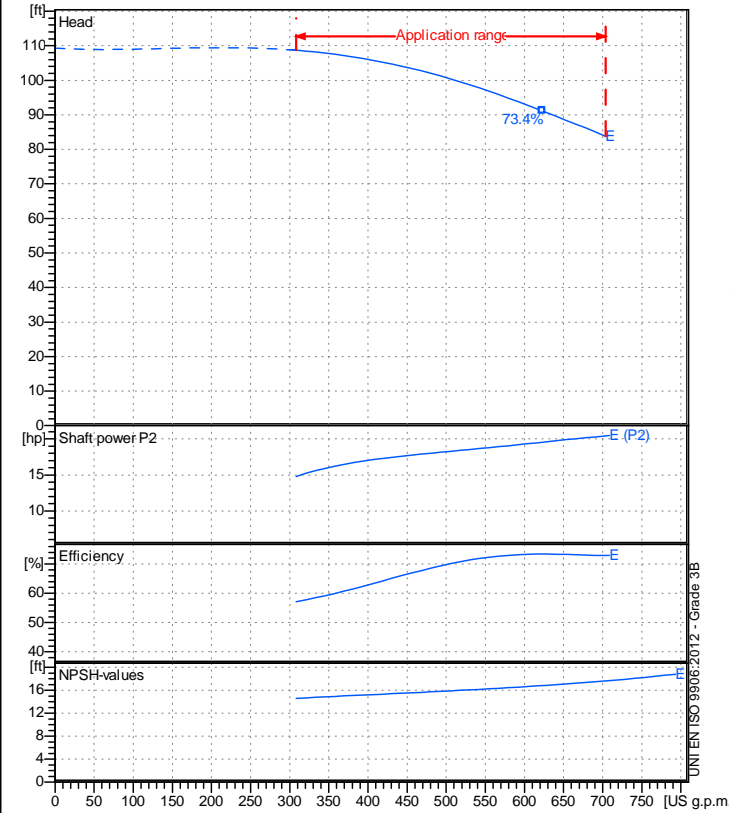


Receiver

From

 Company name  
 Respons. Department  
 Person in charge  
 Phone number  
 Fax no  
 E-mail address

**Operating data specification**

Nominal flow	US g.p.m. 0
Nominal head	ft 0
Static head	ft 0
NPSH - v value of plant	ft 0
Inlet pressure	psi 1.42
Fluid	Water, pure
Operating temperature t A	°F 68
Density at t A	lb/ft³ 62.32
Kin. viscosity at t A	ft²/s 1.082E-5

**Pump**

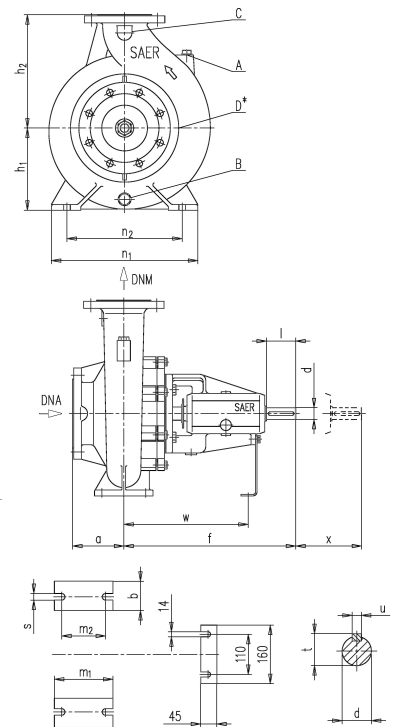
Pump name	NCB 80-160 E		
Size	100/80/160		
Design			
Speed rpm	3600	No of stages	1
Impeller type			
Flow	Nominal	US g.p.m.	
	Max-	US g.p.m.	704
	Min-	US g.p.m.	308
Head	Nominal	ft	
	Max-	ft	109
	Min-	ft	83.8
Head H(Q=0)			ft 109
NPSH 3%			ft
Max. working pressure			psi 47.3
Shaft power			hp
Efficiency			%
Max absorbed power			hp 20.47

**Materials Pump**

Shaft	Stainless steel AISI 431 (1.4057)		
Impeller	Cast iron EN-GJL-250		
Pump body	Cast iron EN-GJL-250		
Seal disc	Cast iron EN-GJL-250		
Gasket	Natural fiber		
Mech. seal EN 12756			
Seal face	Carbon graphite resin impreg.		
Seat	Alumina Oxide		
Rubber elements	EPDM Rubber		
Spring and metal bellows	Stainless steel AISI 316		
<b>Motor</b>	Frame size		
Manufacturer / Type			
Rated power	hp	Efficiency	4/4
Electric current	A	Speed	rpm
Electric voltage	V		Hz
Starting mode			
Degree of protection	Insulation class		

**Dimensions in inch**

a	4 <sup>15</sup> / <sub>16</sub>	n2	9 <sup>13</sup> / <sub>16</sub>
A	3/8"	s	9/16
B	3/8"	t	1 <sup>1</sup> / <sub>16</sub>
b	2 <sup>9</sup> / <sub>16</sub>	u	5/16
C	1/4"	w	10 <sup>1</sup> / <sub>4</sub>
d k6	1 <sup>5</sup> / <sub>16</sub>	x	5 <sup>1</sup> / <sub>2</sub>
D	1/4"		
DNA	DN 100		
DNM	DN 80		
f	14 <sup>3</sup> / <sub>16</sub>		
h1	7 <sup>1</sup> / <sub>16</sub>		
h2	8 <sup>7</sup> / <sub>8</sub>		
l	1 <sup>15</sup> / <sub>16</sub>		
m1	4 <sup>15</sup> / <sub>16</sub>		
m2	3 <sup>3</sup> / <sub>4</sub>		
n1	12 <sup>5</sup> / <sub>8</sub>		



C	5/16	C	6/4
D	7/8	D	8 <sup>11</sup> / <sub>16</sub>
DN	3/8	DN	3 <sup>5</sup> / <sub>16</sub>
K	6 <sup>9</sup> / <sub>16</sub>	K	7 <sup>1</sup> / <sub>16</sub>
n°	3/16	n°	5/16
ø n	3/4	ø n	3/4

Remarks:

Project	Project ID	Created by	Created on	Last update
			2022-08-31	

Receiver

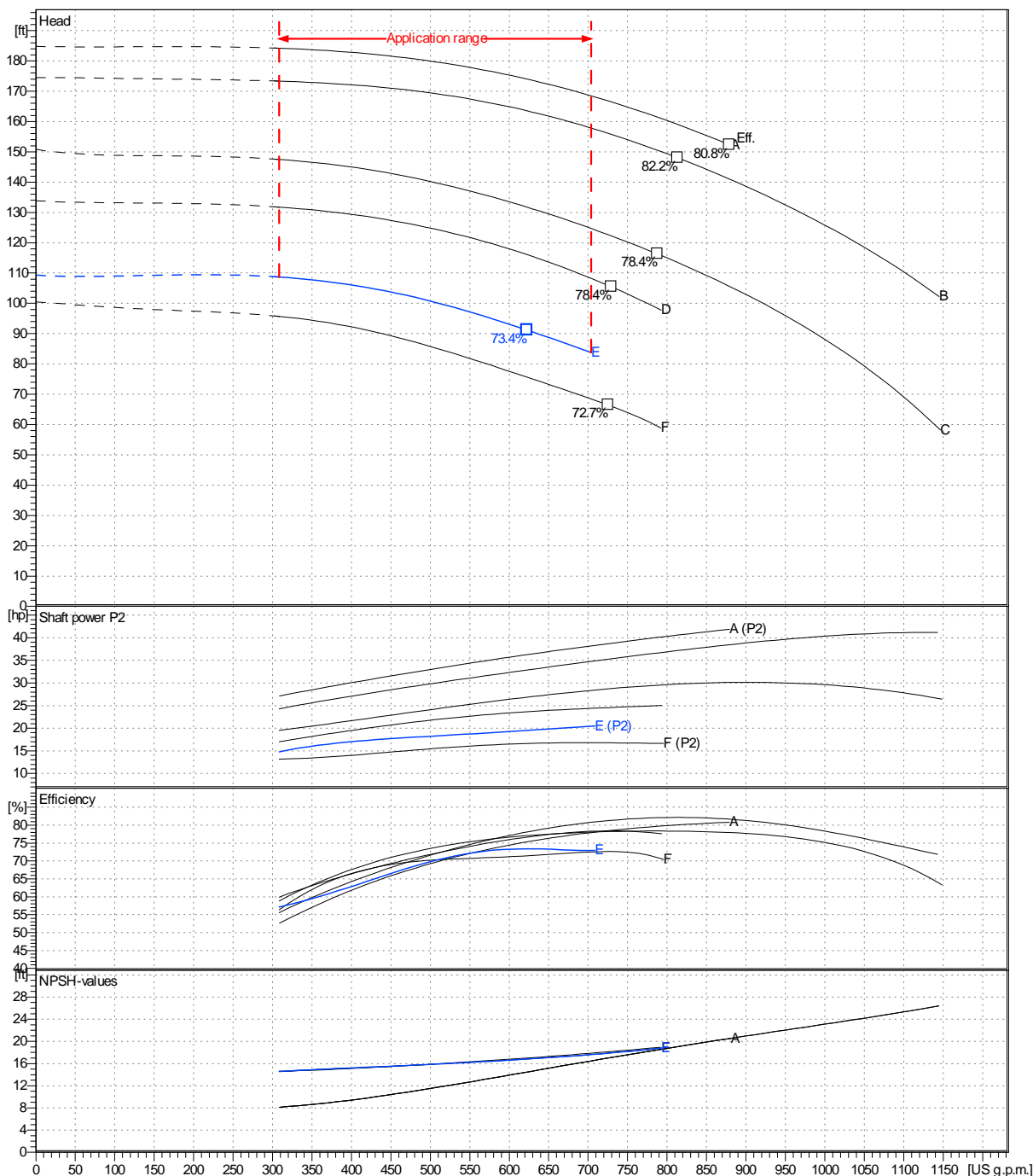
From

 Company name  
 Respons. Department  
 Person in charge  
 Phone number  
 Fax no  
 E-mail address

Operating area	Flow	Head	Impeller type
Operating data specification	0 US g.p.m.	0 ft	Impeller construction: Closed
Pump data	US g.p.m.		Sense of rotation: Clockwise from the drive end
	ft		Outlet width: DN 80
	Flow		Speed: rpm 3600
	Min.	Max.	Frequency: Hz
	308	704	
	623	109	
	91.2	20.5	
		19.5	

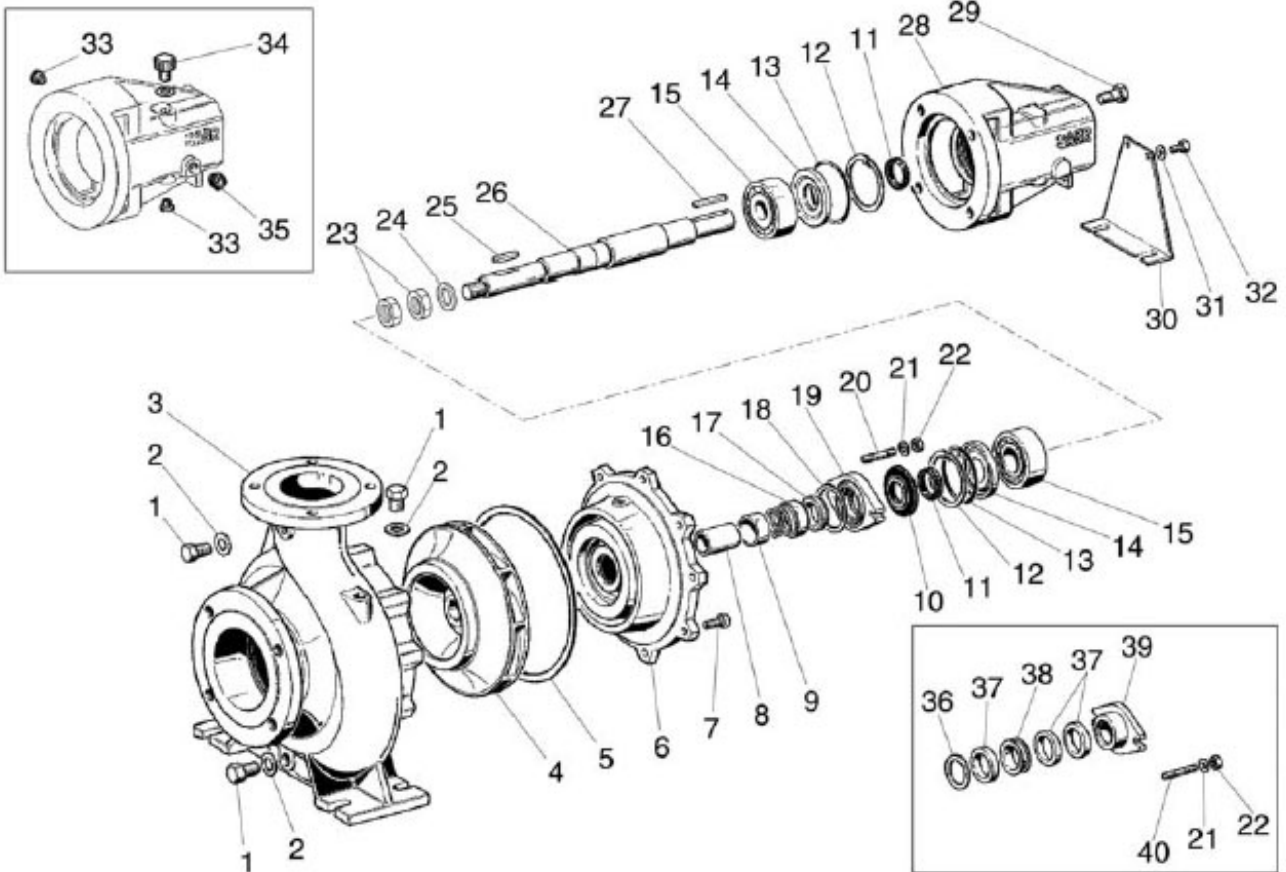
Performance data based to: Water, pure [100%]; 68°F; 62.3lb/ft³; 1.08E-5ft²/s

UNI EN ISO 9906:2012 - Grade 3B



Project	Project ID	Created by	Created on	Last update
			<b>2022-08-31</b>	

Company name  
Respons. Department  
Person in charge  
Phone number  
Fax no  
E-mail address

Project	Project ID	Created by	Created on 2022-08-31	Last update
---------	------------	------------	--------------------------	-------------