



# Technical Data

## Submersible Pump - ST 05-20

Revision no.

Page:  
1

Receiver

From

Company name  
Respons. Department  
Person in charge  
Phone number  
Fax no  
E-mail address





**Brand: Gol Pumps**  
**Model: ST 05-20**

Weight (lb)		
Pump	Motor	Pump + Motor
10.8	25.3	36.1

Cable	
Length (Ft)	AWG
3.9	14

**Dimensions:**



Outlet	Motor Dia.	Dimensions (inch)			
		A	B	C	D
NPT 1 1/4"	4"	19.6"	1 1/4"	3.9"	34.5"

Project

Project ID

Created by

Created on

Last update



# Performance Curves

## Submersible Pump - SP 05-20

Revision no.

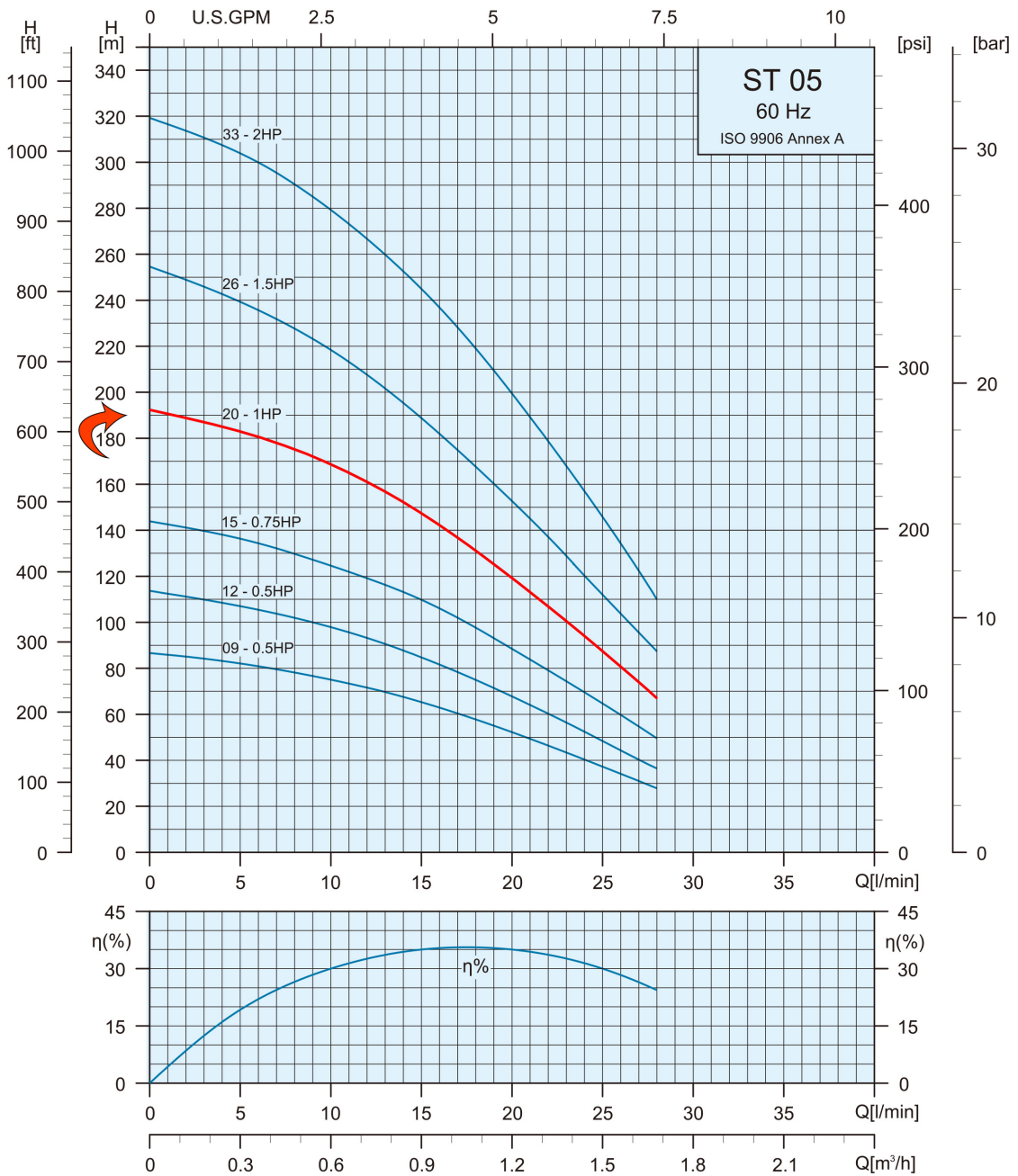
Page:  
2

Receiver

From

Company name  
Respons. Department  
Person in charge  
Phone number  
Fax no  
E-mail address

Pump Model	Motor		Q Capacity 3450RPM						
	P2		G/Min	0	2.6	4	5.3	6.6	7.9
	kW	HP	Head in Feet	633.2	554.5	485.6	393.7	288.7	173.9
SP 05-20	0.75	1							



Project

Project ID

Created by

Created on

Last update



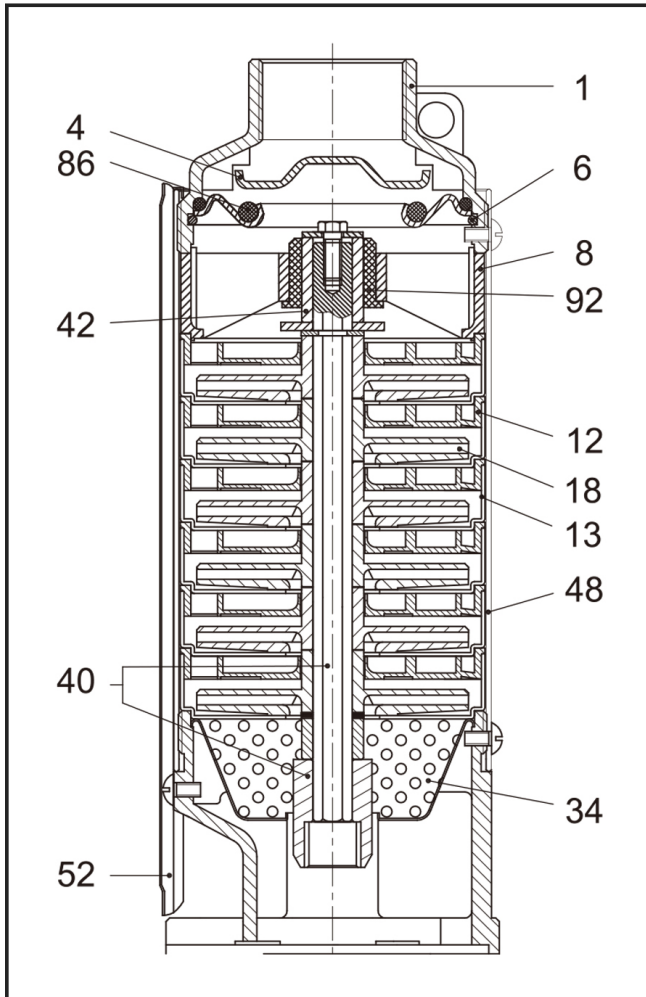
## Part List and Materials Submersible Pump - SP 05-20

Revision no. \_\_\_\_\_ Page: 3

Receiver	From

Company name  
 Respons. Department  
 Person in charge  
 Phone number  
 Fax no  
 E-mail address

Motor Model	P2		S.F	Voltage	Phase	Wire	In	Imax	Istart	PF (%)		Efficiency (%)		RPM	Thrust	Capacitor
	kW	HP		V	PH		A	A	A	Allowable Load	Overload Factor	Allowable Load	Overload Factor		N	UF
	<b>4CF3526M</b>	0.75		1	1.4		230	Single	2	5.4	6.8	24.2	0.97		0.98	62.7



No.	Part Name	Materials
1	Discharge Head	AISI 304
4	Check Valve Cone	AISI 304
6	Check Valve Retaining Ring	AISI 304
8	Bearing Spider	Glass Filled Polycarbonate
12	Diffuser	Glass Filled Polycarbonate
13	Bowl	AISI 304
18	Impeller	Noryl
34	Strainer	AISI 304
40	Pump Shaft / Coupling	AISI 304
42	Shaft Sleeve	AISI 304 or Norly
48	Pump Casing	AISI 304
52	Cable Guard	AISI 304
86	O-Ring	NBR
92	Bearing	Polyacetal

Project	Project ID	Created by	Created on	Last update
---------	------------	------------	------------	-------------